



Tissue holder with shelf - Matte Black

SERIES SPECIFIC

83 515 976 Product version from 4/1/2024





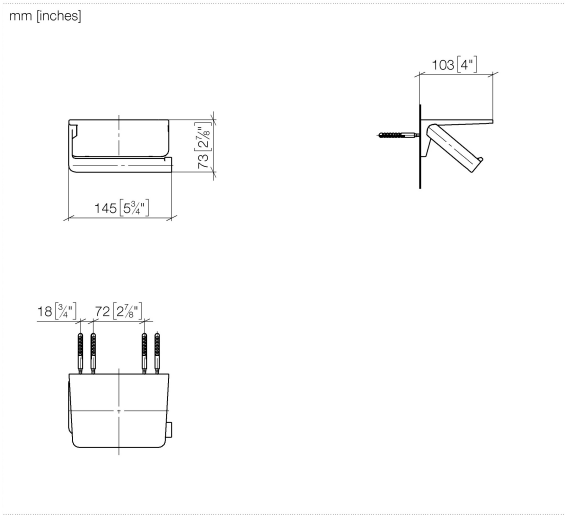
Tissue holder with shelf - Matte Black

SERIES SPECIFIC

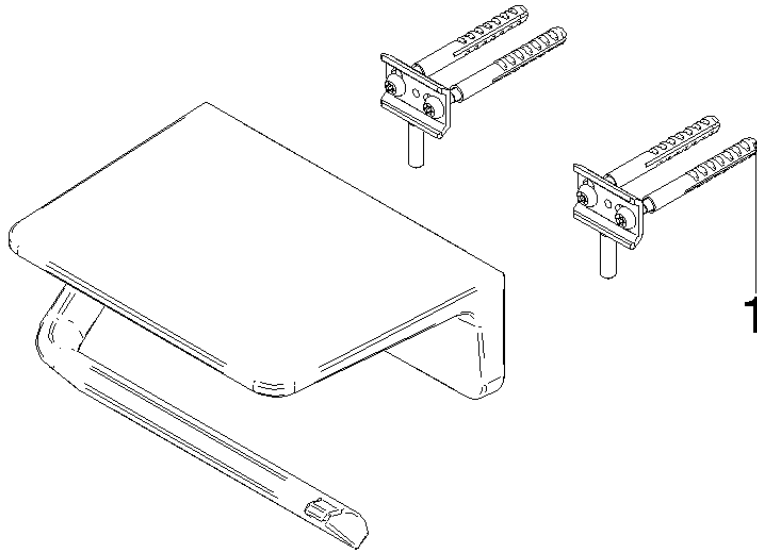
83 515 976 Product version from 4/1/2024

83 515 976 Product version from 4/1/2024

mm [inches]



83 515 976 Product version from 4/1/2024



Spare parts list

No.	Item Number	Name	Quantity used	Delivery time
1	04 30 30 242 00 90	Attachment set -	2.00	82