

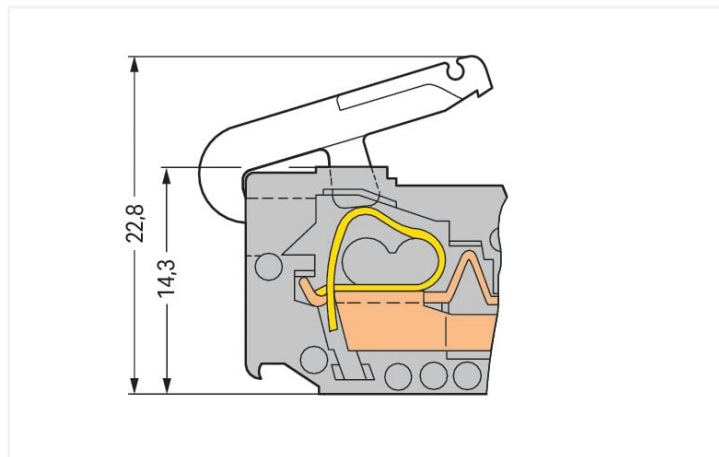
## Data Sheet | Item Number: 231-291

Operating tool; made of insulating material; 1-way; loose; red

<https://www.wago.com/231-291>



Color: ■ red



Dimensions in mm

Operating levers are not suitable for panel-mount, angled female connectors.

### Technical data

Number of spacings 1 -times

### Physical data

Depth 20.2 mm / 0.79 inches

Pin spacing 5/7.62 mm

### Mechanical data

Suitable for male and female connectors with CAGE CLAMP® connection

### Material data

Color red

Material group I

Insulation material Glass fiber-reinforced polyamide (PA66 GF)

Flammability class per UL94 HB

Fire load 0.01 MJ

Weight 0.3 g

### Commercial data

Product Group 3 (Multi Conn. System)

eCl@ss 10.0 27-14-11-92

eCl@ss 9.0 27-14-11-92

ETIM 8.0 EC002848

ETIM 7.0 EC002848

PU (SPU) 100 (25) pcs

Packaging type Box

Country of origin DE

GTIN 4045454830090

Customs tariff number 82055980000

**Environmental Product Compliance**

RoHS Compliance Status	Compliant, No Exemption
------------------------	-------------------------

**Approvals / Certificates**

**General approvals**      **Approvals for marine applications**



Approval	Standard	Certificate Name
CSA DEKRA Certification B.V.	C22.2	1466354



Approval	Standard	Certificate Name
LR Lloyds Register	IEC 61984	96/20035 (E5)

**Downloads**

**Environmental Product Compliance**

Compliance Search
Environmental Product Compliance 231-291

**CAD/CAE-Data**

CAD data
2D/3D Models 231-291

CAE data
ZUKEN Portal 231-291

**Installation Notes**



Inserting a conductor into CAGE CLAMP® unit via operating tool (231-291).