

Product data

Product code	VI03-0012	STK-code	6436010	EAN-code	6410064360103
Product name	Grounding ball stud $\varnothing 30$ -M12				
Tyyppi	Straight with female thread				

Technical data

Max. Short-circuit current I_k 1 s	29,6	kA
Max. Cable cross section	150	mm ²
Fixed ball point (Diameter)	30	mm
Thread (Dimension)	M12	mm
Width	SW27	mm
Tightening torque	M12	80 Nm
Weight	262	g

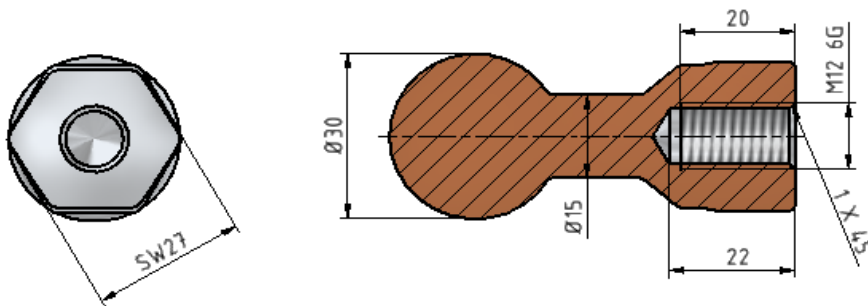


Standards	SFS 3742:1985, EN 61230:2008 (5.7.)	
Color/ Material	Tin plated / Copper	
Mounting/ Connection	Screw M12, Min. 8.8	

Description

Permanent grounding ball studs to be used for grounding in different electrical systems such as switchgear, bus bars, conductors, vehicles, reels etc. The Grounding ball stud is made of forged copper and it is coated by Tin (Sn)

Drawing



Package

Package	Box	pcs/ package	20	Weight [Kg]	5,30
Length [mm]	120	Width [mm]	130	Height [mm]	100