

Technische Daten/ Technical Data

KLUDI DECUS

concealed thermostatic fitting
trim set with functional unit

Ref.: 54739N275

Finishes:

N2 Brushed Gunmetal PVD

Product description

Manufacturer KLUDI GmbH & Co. KG

Typ: KLUDI DECUS

concealed thermostatic fitting

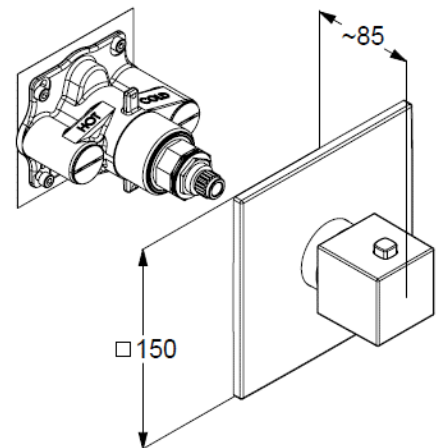
Ref.: 54739N275

concealed thermostatic fitting
for pre-installation set KLUDI SLIM.BOXX Ref.: 88022
trim set with functional unit
wall mounted
cylindricity handle, metal
without shutt-off-valve
temperature handle with hot water safety at 40°C
flow rate at 3 bar 40 l/min.
with integrated back flow preventer

Produktabbildung/ Product picture



Maßzeichnung/ Dimensional drawing



Durchfluss/ Flow rate

