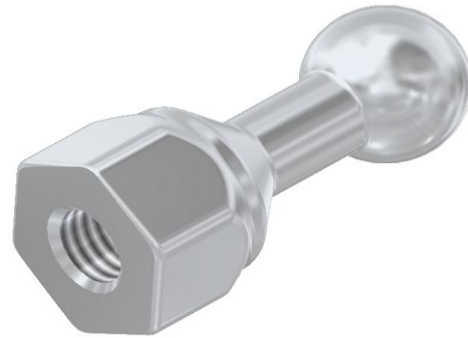


**Product data**

Product code	<b>VI03-0010</b>	STK-code	<b>6436008</b>	EAN-code	<b>6410064360080</b>
Product name	Grounding ball stud $\varnothing 20$ -M12				
Tyyppi	Straight with female thread				

**Technical data**

Max. Short-circuit current $I_k$ 1 s	<b>23,7</b>	kA
Max. Cable cross section	<b>120</b>	mm <sup>2</sup>
Fixed ball point (Diameter)	<b>20</b>	mm
Thread (Dimension)	<b>M12</b>	mm
Width	<b>SW24</b>	mm
Tightening torque	M12	<b>80</b> Nm
Weight	<b>128</b>	g

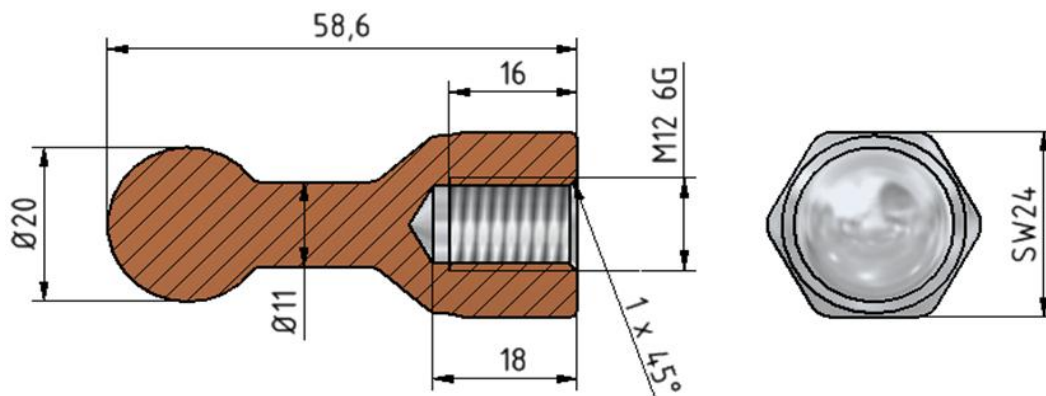


Standards	<b>SFS 3742:1985, EN 61230:2008 ( 5.7.)</b>
Color/ Material	<b>Tin plated / Copper</b>
Mounting/ Connection	<b>Screw M12, Min. 8.8</b>

**Description**

Permanent grounding ball studs to be used for grounding in different electrical systems such as switchgear, bus bars, conductors, vehicles, reels etc. The Grounding ball stud is made of forged copper and it is coated by Tin (Sn)

**Drawing**



**Package**

Package	<b>Box</b>	pcs/ package	<b>20</b>	Weight [Kg]	<b>2,60</b>
Length [mm]	<b>150</b>	Width [mm]	<b>90</b>	Height [mm]	<b>90</b>