

Data Sheet | Item Number: 713-130

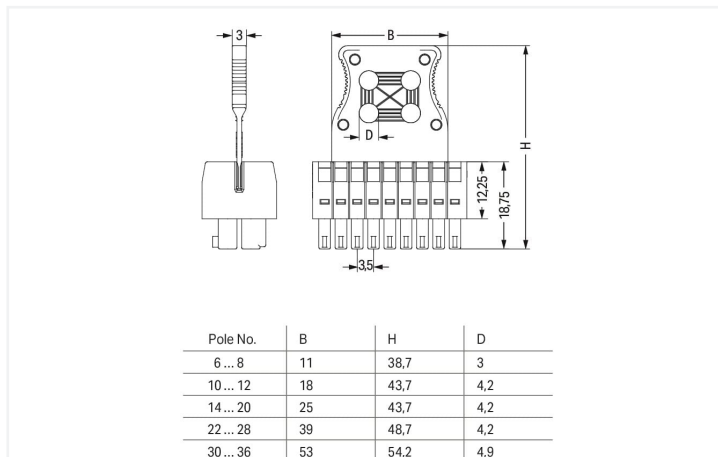
Strain relief plate; for female connectors; 1 part; Pin spacing 3.5 mm; black

<https://www.wago.com/713-130>



Color: ■ black

Similar to illustration



Pole No.	B	H	D
6 ... 8	11	38,7	3
10 ... 12	18	43,7	4,2
14 ... 20	25	43,7	4,2
22 ... 28	39	48,7	4,2
30 ... 36	53	54,2	4,9

Dimensions in mm

The arrangement of the attachments for cable ties allows single conductors or multi-core cables to be secured in different ways. The width of the cable ties must correspond to the hole dimensions of the strain relief plates shown above.

Cable ties and binding tools are not offered by WAGO.

Physical data

Pin spacing	3.5 mm / 0.138 inches
Width	18 mm / 0.709 inches
Height	3 mm / 0.118 inches
Depth	31 mm / 1.22 inches

Mechanical data

Suitable	for standard female connectors
----------	--------------------------------

Material data

Note (material data)	Information on material specifications can be found here
Color	black
Fire load	0.018 MJ
Weight	0.6 g

Commercial data

eCl@ss 10.0	27-14-11-92
eCl@ss 9.0	27-14-11-92
ETIM 8.0	EC002848
ETIM 7.0	EC002848
PU (SPU)	100 (25) pcs
Packaging type	Box
Country of origin	DE
GTIN	4055143466783
Customs tariff number	85389099990

Environmental Product Compliance

CAS-No.	131651-65-5 144317-44-2 220133-51-7 220689-12-3 25628-08-4 29420-49-3 375-73-5 503155-89-3 507453-86-3 68259-10-9
REACH Candidate List Substance	Perfluorobutane sulfonic acid (PFBS) and its salts
RoHS Compliance Status	Compliant, No Exemption
SCIP notification number (Austria)	7bd640cd-9463-40e7-bd23-d33bd77a2915
SCIP notification number (Belgium)	fb8b48a9-e0b3-416c-a146-c28a0f5858ba
SCIP notification number (Bulgaria)	c420510a-41d3-4b5a-b853-3514c8e1ffb5
SCIP notification number (Czech Republic)	6bc8ef84-6c2f-4a29-aaa2-9bae5922d614
SCIP notification number (Denmark)	9408bc34-57c3-4932-8892-b57e3fba57c
SCIP notification number (Finland)	73d10693-17b7-4046-8bd6-495f91fb8b9b
SCIP notification number (France)	67624a35-0be9-4cfd-baf2-981b2a9d878b
SCIP notification number (Germany)	4dd7f039-cd8d-4170-9576-adade0879263
SCIP notification number (Hungary)	d8d61393-a911-4bf2-b26b-2368224d6eb7
SCIP notification number (Italy)	0051a5b8-73ff-46a9-a443-97a1a1ddc356
SCIP notification number (Netherlands)	59d6b915-b7e2-4c24-93a4-3057802044e6
SCIP notification number (Poland)	bc50238-d6a5-45a3-8497-bd799535c594
SCIP notification number (Romania)	8bd5b13d-0083-4b22-9a25-907fad601fa
SCIP notification number (Sweden)	7fe63b40-8661-4362-b9b5-83529974a0a7

Downloads

Environmental Product Compliance

Compliance Search	
Environmental Product Compliance 713-130	↓

Documentation

Additional Information			
Technical Section	03.04.2019	pdf 2010.85 KB	↓

CAD/CAE-Data

CAD data	
2D/3D Models 713-130	↓

CAE data	
ZUKEN Portal 713-130	↓

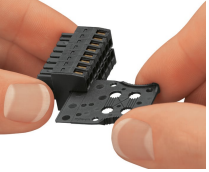
Installation Notes

Installation

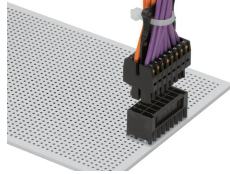


Strain relief plate for field assembly

Strain relief



Strain relief plate for field assembly



Centered strain relief plate anchors conductors for easy disconnection.