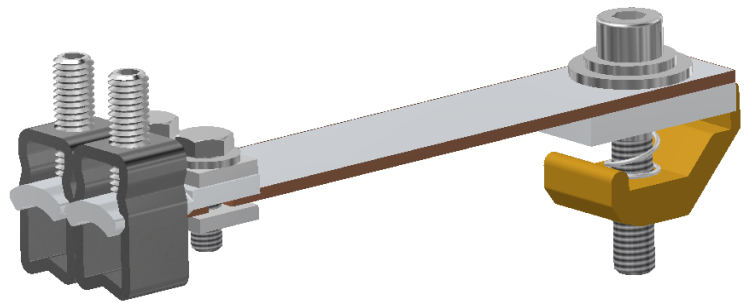


**Product data**

Product code	<b>VI01-0006</b>	STK-code	<b>5408000</b>	EAN-code	<b>6410054080004</b>
Product name	Flexible OL-PEN-connector 2x70 mm <sup>2</sup>				
Wires	2xAl/Cu 6-70 mm <sup>2</sup>				

**Technical data**

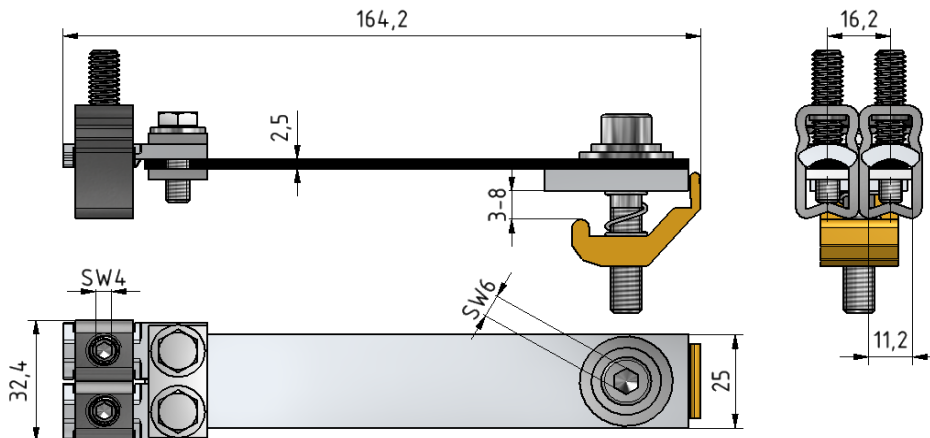
Nominal current	Cu	<b>270</b>	A
	Al	<b>270</b>	A
Nominal voltage		<b>690</b>	V
Max. Current (US)	Cu	-	A
	Al	-	A
Max. Voltage (US)		-	V
Number of pole		<b>1</b>	
Max. Cross section		<b>70</b>	mm <sup>2</sup>
Tightening torque		<b>5,6</b>	Nm
Weight		<b>307</b>	g
IP-protection		-	
Standards		-	
Color/ Material		<b>Tin plated copper/ Steel/ Ms</b>	
Mounting/ Connection		<b>Screw M8</b>	



**Description**

Flexible PEN-connector is designed to be installed in busbar connecting N- and PE-conductors.

**Drawing**



**Package**

Package	<b>Box</b>	pcs/ package	<b>10</b>	Weight [Kg]	<b>3,10</b>
Length [mm]	<b>210</b>	Width [mm]	<b>155</b>	Height [mm]	<b>105</b>