

Data Sheet | Item Number: 713-129

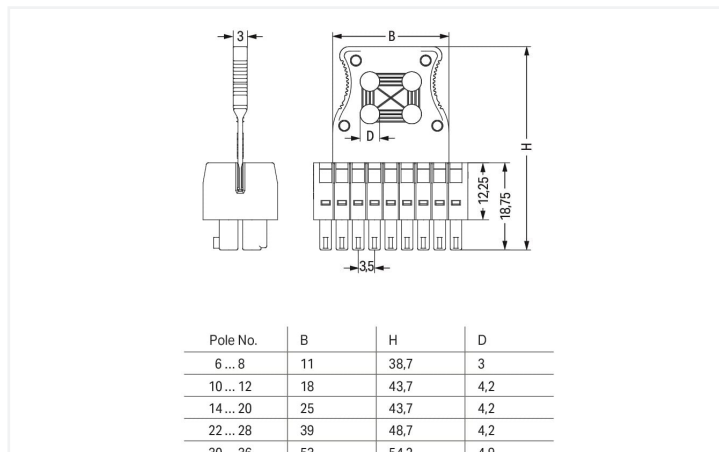
Strain relief plate; for female connectors; 53 mm wide; 1 part; Pin spacing 3.5 mm; black

<https://www.wago.com/713-129>



Color: ■ black

Similar to illustration



Dimensions in mm

The arrangement of the attachments for cable ties allows single conductors or multi-core cables to be secured in different ways. The width of the cable ties must correspond to the hole dimensions of the strain relief plates shown above.

Cable ties and binding tools are not offered by WAGO.

Physical data

Pin spacing	3.5 mm / 0.138 inches
Width	53 mm / 2.087 inches
Height	3 mm / 0.118 inches
Depth	41.5 mm / 1.634 inches

Mechanical data

Suitable	for standard female connectors
----------	--------------------------------

Material data

Note (material data)	Information on material specifications can be found here
Color	black
Fire load	0.088 MJ
Weight	3 g

Commercial data

Product Group	3 (Multi Conn. System)
eCl@ss 10.0	27-14-11-92
eCl@ss 9.0	27-44-04-92
ETIM 8.0	EC002848
ETIM 7.0	EC002848
PU (SPU)	100 (25) pcs
Packaging type	Box
Country of origin	DE
GTIN	4045454732813
Customs tariff number	85389099990

Environmental Product Compliance

CAS-No.	131651-65-5 144317-44-2 220133-51-7 220689-12-3 25628-08-4 29420-49-3 375-73-5 503155-89-3 507453-86-3 68259-10-9
REACH Candidate List Substance	Perfluorobutane sulfonic acid (PFBS) and its salts
RoHS Compliance Status	Compliant, No Exemption
SCIP notification number (Austria)	904dae5f-2f5c-471f-97ea-d4e5968df637
SCIP notification number (Belgium)	2782e6cd-b3fb-44e0-bbe8-c5779064a70a
SCIP notification number (Bulgaria)	1b21b0d5-eca4-4ab2-8844-6c1dd324872f
SCIP notification number (Czech Republic)	9bc1ae44-dea7-4f0d-95c6-01138281c545
SCIP notification number (Denmark)	830b8a05-0a94-4e98-8c1b-b9984839bf8f
SCIP notification number (Finland)	8bc800e2-ee63-4b8a-98d8-31fdb8b56738
SCIP notification number (France)	7b8a73de-fd2f-43df-8b12-b020d47a1b4f
SCIP notification number (Germany)	24614f6d-831b-4ffe-b589-52d61dfc53ec
SCIP notification number (Hungary)	0c84ae30-3c4f-4aa7-90a1-8e82cb4e4bb0
SCIP notification number (Italy)	047a5618-29f8-4b9b-91e7-3a85cfc987cb
SCIP notification number (Netherlands)	d2515888-5b22-408b-8cd9-aa26fd2a515a
SCIP notification number (Poland)	afbdc04-d4d1-4158-9cc7-4c4657d030f3
SCIP notification number (Romania)	93a4786c-f8dd-4a7f-ac92-08910685622f
SCIP notification number (Sweden)	eaab0e86-9eab-4844-b377-e4fccbf364d2

Downloads

Environmental Product Compliance


Compliance Search

Environmental Product
Compliance 713-129



Documentation

Additional Information

Technical Section	03.04.2019	pdf 2010.85 KB	
-------------------	------------	-------------------	---

CAD/CAE-Data

CAD data

2D/3D Models 713-129



CAE data

ZUKEN Portal 713-129

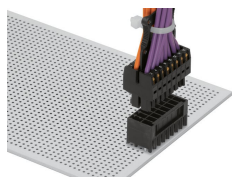


Installation Notes

Strain relief



Strain relief plate for field assembly



Centered strain relief plate anchors conductors for easy disconnection.