

## Data Sheet | Item Number: 713-126

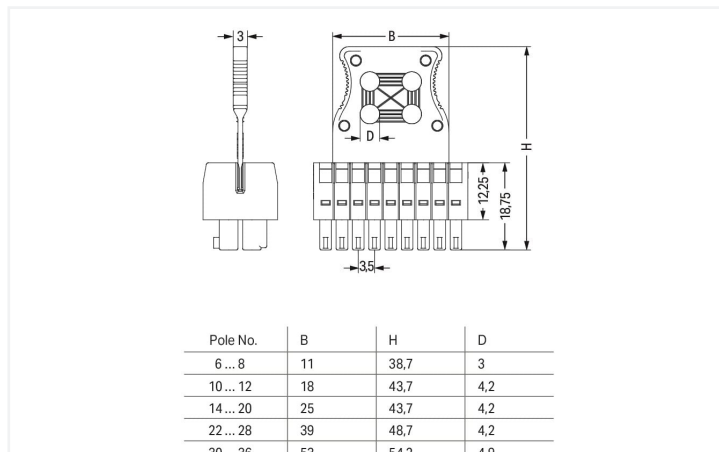
Strain relief plate; for female connectors; 11 mm wide; 1 part; Pin spacing 3.5 mm; black

<https://www.wago.com/713-126>



Color: ■ black

Similar to illustration



Dimensions in mm

The arrangement of the attachments for cable ties allows single conductors or multi-core cables to be secured in different ways. The width of the cable ties must correspond to the hole dimensions of the strain relief plates shown above.

Cable ties and binding tools are not offered by WAGO.

### Physical data

Pin spacing	3.5 mm / 0.138 inches
Width	11 mm / 0.433 inches
Height	3 mm / 0.118 inches
Depth	26 mm / 1.024 inches

### Mechanical data

Suitable	for standard female connectors
----------	--------------------------------

### Material data

Note (material data)	<a href="https://www.wago.com/us/material-specifications">Information on material specifications can be found here</a>
Color	black
Fire load	0.01 MJ
Weight	0.3 g

### Commercial data

Product Group	3 (Multi Conn. System)
eCl@ss 10.0	27-14-11-92
eCl@ss 9.0	27-44-04-92
ETIM 8.0	EC002848
ETIM 7.0	EC002848
PU (SPU)	100 (25) pcs
Packaging type	Box
Country of origin	DE
GTIN	4045454732783
Customs tariff number	85389099990

## Environmental Product Compliance

CAS-No.	131651-65-5 144317-44-2 220133-51-7 220689-12-3 25628-08-4 29420-49-3 375-73-5 503155-89-3 507453-86-3 68259-10-9
REACH Candidate List Substance	Perfluorobutane sulfonic acid (PFBS) and its salts
RoHS Compliance Status	Compliant, No Exemption
SCIP notification number (Austria)	460298cc-0eb5-427e-9019-e4a2dc7c727b
SCIP notification number (Belgium)	2cbce69b-d31b-4670-bced-9c9fd8725a06
SCIP notification number (Bulgaria)	63247a2a-272e-4fc7-8996-9f7ab4b48029
SCIP notification number (Czech Republic)	2055f831-1910-499b-879a-8db8fdd75f02
SCIP notification number (Denmark)	d63c5f29-0dde-4b2f-8c35-9155d32d8f7d
SCIP notification number (Finland)	fb53c1c0-af50-4248-b8e2-970e7a37f4e6
SCIP notification number (France)	b3bfd840-2ee5-4783-9ffa-e4758c94b0a2
SCIP notification number (Germany)	45939706-6119-4b0e-810e-b1fba20f28c7
SCIP notification number (Hungary)	d95a64b9-7e2b-4cba-9378-c4fafcad4272
SCIP notification number (Italy)	7792af32-42be-43b4-91bb-f96475963a46
SCIP notification number (Netherlands)	f029aab2-62d1-4ee5-b61a-d5ecd903ef3b
SCIP notification number (Poland)	b32c76d2-0bb2-40ec-bd1e-d3dae8d78e3f
SCIP notification number (Romania)	4eccbd09-d291-440f-9212-34b932ab888a
SCIP notification number (Sweden)	bbb293da-568b-4e70-8680-6ae418f160c1

## Downloads

### Environmental Product Compliance

#### Compliance Search

Environmental Product  
Compliance 713-126



## Documentation

### Additional Information

Technical Section

03.04.2019

pdf

2010.85 KB



## CAD/CAE-Data

### CAD data

2D/3D Models 713-126



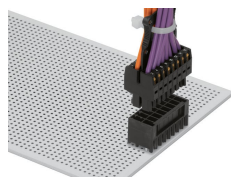
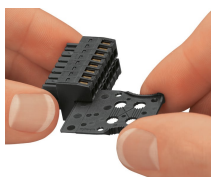
### CAE data

ZUKEN Portal 713-126



## Installation Notes

### Strain relief



Strain relief plate for field assembly

Centered strain relief plate anchors conductors for easy disconnection.