

Plug

Part number: **663A**



MENNEKES
Elektrotechnik GmbH & Co. KG

Aloys-Mennekes-Straße 1
57399 Kirchhundem
GERMANY

www.MENNEKES.org

Product Description

- screw connection technology
- protection against kinking
- strain relief
- cable gland and sealing

Technical Details

Plug	663A
Ampere	16A
Number of poles	3p
Clock position	12h
Nominal voltage AC	40 - 50V
Nominal frequency	50 - 60 Hz
Protection type IP	IP44
Contact carrier	standard
Connection	screw terminals
Contact screw drive	PZ2, slot
Recommended wire end treatment for supply cable connection terminal	ferrule square gasproof crimped
Phase inverter	without phase inverter
Pilot contact	without pilot contact
Conductor cross-section min.	4 mm ²
Conductor cross-section max.	10 mm ²
Cable kink protection	integrated in cable gland
Protective grommet	without protective grommet
Protective cap	without protective cap
Weight (net)	175 g
Packaging unit	10 pcs
EAN / identification number	4015394005063

Permissible ambient conditions

	Min.	Max.
Permanent ambient temperature	-25 °C	40 °C

Material properties

Front part	PA6 light grey [similar RAL 7035]
Housing	PC/PET light grey [similar RAL 7035]
Fastening	PA6 light grey [similar RAL 7035]

Material resistance

The material resistance overview can be found on the website in the section “Knowledge” - “Product knowledge” - “Materials”.

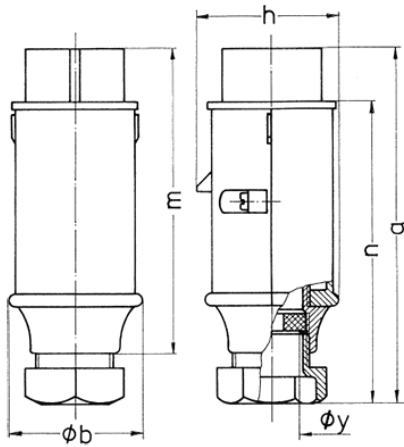
Material and enviromental properties

RoHS 2011/65/EU incl. 2015/863/EU	✓
POP regulation (EU) 2019/1021	✓

Regulations and Standards

Norm	DIN EN IEC 60309-2
Declaration of Conformity	CE
Test label	EAC, CQC

Dimensional Drawing



Drawing	Amp. Poles	16		32	
		2	3	2	3
2 MB 158					
Dim. in mm	a	150	150	150	150
	b	55	55	55	55
	h	58	58	58	58
	m	128	128	128	128
	n	130	130	130	130
	y	24.7	24.7	24.7	24.7
Terminal for cond. cross		4	4	4	4
section (mm ²) min.-max.		-10	-10	-10	-10