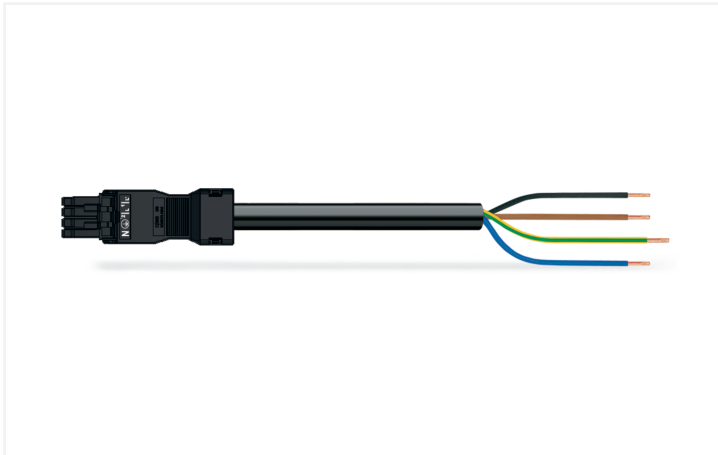


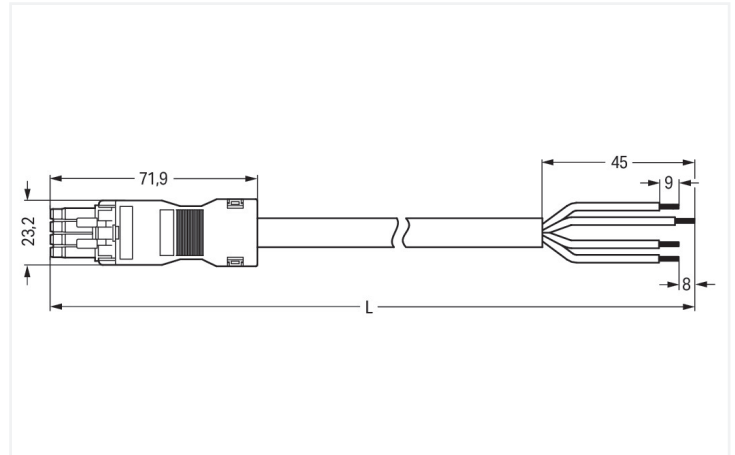
## Data Sheet | Item Number: 891-8994/116-501

pre-assembled connecting cable; Eca; Socket/open-ended; 4-pole; Cod. A;  
H05Z1Z1-F 4G 1.5 mm<sup>2</sup>; 5 m; 1,50 mm<sup>2</sup>; black

<https://www.wago.com/891-8994/116-501>



Color: ■ black



Dimensions in mm

### Cable assembly WINSTA® MINI with strain relief

For signal and power transmission: The WINSTA® MINI cable assembly rated current 16 A. On PCBs, in control cabinets or for connecting lights – pluggable installation connectors from WAGO allow you to establish connections according to an enormous variety of requirements in seconds. The coding options reduce installation errors, allowing fast, maintenance-free wiring of all components. The pluggable installation connector offers protection against contact with wires or tools if they are smaller than 1 mm in accordance with protection type IP40. The WINSTA® MINI pluggable installation connector with A coding in white or black is usually used for general mains applications in power distribution. WINSTA® MINI satisfies the demand for miniaturisation. Our smallest pluggable connection system is very good for lights, for example, since as a result of LED technology; due to complex systems, these offer significantly less space for the connection technology. This product meets all the relevant safety requirements of fire class E; therefore it can be used in domains where fire safety is relevant. The cable assembly is halogen-free. This eliminates the addition of environmental pollutants during production. It also achieves a higher fire class, since halogen-free materials do not easily ignite.

### Fast, secure pluggable connections – cable assemblies from WAGO

The cable assembly is provided with a socket and a free end. WINSTA® is the pluggable connection system that is ideally tailored to the strict requirements of electrical installation. It allows fast, secure and, above all, error-free installation of components and cables. Enjoy the benefits of the pluggable version of our maintenance-free spring pressure connection technology too! Plan your installation with with protection type IP40 from WAGO.

- effective protection against mismatching
- compact design for conductors with a cross-section up to 1.5 mm<sup>2</sup>
- with A coding for a great number of applications
- flexible installation to save space
- quick replacement of defective units during ongoing operation

### Notes

Note

Cables with a different fire class can be found in the eShop.

## Electrical data

| Ratings per                     | IEC/EN 60664-1 |     |    |
|---------------------------------|----------------|-----|----|
| Overvoltage category            | III            | III | II |
| Pollution degree                | 3              | 2   | 2  |
| Nominal voltage                 | 400 V          | -   | -  |
| Rated impulse withstand voltage | 6 kV           | -   | -  |
| Rated current                   | 16 A           | -   | -  |

## General information

|                            |  |
|----------------------------|--|
| Note on contact resistance | approx. 1 mΩ of contact resistance<br>approx. 0.25 mΩ contact transition plug/<br>socket |
|----------------------------|--|

## Connection Data

|                            |                           |
|----------------------------|---------------------------|
| Total number of potentials | 4                         |
| PE function                | Preceding PE contact      |
| Conductor preparation      | ultrasonically tip-bonded |

## Connection 1

|                                 |                     |
|---------------------------------|---------------------|
| Strip length                    | 9 mm / 0.35 inches  |
| Pole number                     | 4                   |
| Wire cross-section              | 1.5 mm <sup>2</sup> |
| Strip length (outer insulation) | 45 mm               |
| Connection type                 | Socket - free end   |

## Physical data

|              |                        |
|--------------|------------------------|
| Pin spacing  | 4.4 mm / 0.173 inches  |
| Width        | 23.2 mm / 0.913 inches |
| Height       | 16 mm / 0.63 inches    |
| Total length | 5 m                    |

## Mechanical data

|   |   |
|---|---|
| Use                                     | General mains applications                                    |
| Coding                                  | A   |
| Variable coding                         | No  |
| Marking                                 | N ⊕ 2/L 1/L'  |
| Potential marking                       | N ⊕ 2/L 1/L'  |
| Mating force of a plug-in connection    | approx. 20 ... 70 N (depending on pole number)                |
| Retention force of a plug-in connection | when locked: > 80N  |
| Unmating force of a plug-in connection  | when unlocked: approx. 20 ... 70 N (depending on pole number) |
| Number of mating cycles                 | 200, without resistive load                                   |
| Connection type                         | Socket - free end   |
| Type of pre-assembled cable             | Connecting cable  |
| Cable type                              | H05Z1Z1-F 4G1.5   |
| Protection type                         | IP40  |

## Plug-in connection

|                               |  |
|-------------------------------|--|
| Mismating protection          | Yes  |
| Note on mismating protection  | All WINSTA® components are 100% protected against mismating when:<br>a.) plugging different numbers of poles<br>b.) plugging while rotated 180<br>c.) plugging while laterally staggered<br>d.) plugging one pole  |
| Locking lever                 | Can be retrofitted   |
| Locking of plug-in connection | Locking lever  |
| Note on locking system        | All connectors for mounted installations (snap-in versions for lighting fixtures or devices, all types of PCB and distribution connectors) are factory-equipped with locking levers to ensure plugs and sockets are securely locked. Additional locking levers are only required for flying leads (plug/socket). |

### Material data

|                                    |  |
|------------------------------------|--|
| Note (material data)               | <a href="#">Information on material specifications can be found here</a> |
| Color                              | black  |
| Insulation material (main housing) | Polyamide (PA66)   |
| Fire class per EN 50575            | E <sub>ca</sub>  |
| Contact material                   | Copper or copper alloy; surface-treated                                  |
| Contact Plating                    | Tin  |
| Fire load                          | 149.915 MJ   |
| Connector color                    | black  |
| Strain relief color                | black  |
| Sheathed cable color               | black  |
| Printing color of sheathed cable   | white  |
| Halogen-free                       | Yes  |
| Silicon-free                       | Yes  |
| Sheath material                    | Halogen-free   |
| Rubber cable                       | No   |
| Weight                             | 599.6 g  |
| Copper weight of the raw cable     | 0.058 kg/m   |

### Environmental requirements

|  |   |
|--|---|
| Processing temperature                   | -5 ... +40 °C   |
| Continuous operating temperature         | -35 ... +85 °C  |
| Note on continuous operating temperature | Cable for temperatures ≤ 70 °C (including halogen-free)<br>Insulating parts for temperatures ≤ 105 °C |

### Commercial data

|                       |               |
|-----------------------|---------------|
| PU (SPU)              | 1 pcs         |
| Packaging type        | unpacked      |
| Country of origin     | PL            |
| GTIN                  | 4055143405119 |
| Customs tariff number | 85444290900   |

### Product Classification

|             |                      |
|-------------|----------------------|
| UNSPSC      | 26121629             |
| eCl@ss 10.0 | 27-44-06-04          |
| eCl@ss 9.0  | 27-44-06-04          |
| ETIM 9.0    | EC002587             |
| ETIM 10.0   | EC002587             |
| ECCN        | NO US CLASSIFICATION |

### Environmental Product Compliance

|                        |                         |
|------------------------|-------------------------|
| RoHS Compliance Status | Compliant, No Exemption |
|------------------------|-------------------------|

## Approvals / Certificates

### General approvals



| Approval                              | Standard | Certificate Name |
|---------------------------------------|----------|------------------|
| CCA<br>DEKRA Certification B.V.       | EN 61535 | NTR NL-7971      |
| KEMA/KEUR<br>DEKRA Certification B.V. | EN 61535 | 71-123232        |

## Downloads

### Environmental Product Compliance

#### Compliance Search

|  |   |
|--|---|
| Environmental Product Compliance<br>891-8994/116-501 | ↓ |
|--|---|

## Documentation

### Bid Text

|                  |            |                 |   |
|------------------|------------|-----------------|---|
| 891-8994/116-501 | 19.02.2019 | xml<br>3.01 KB  | ↓ |
| 891-8994/116-501 | 01.12.2014 | doc<br>25.00 KB | ↓ |

## CAD/CAE-Data

### CAE data

|                                       |   |
|---------------------------------------|---|
| EPLAN Data Portal<br>891-8994/116-501 | ↓ |
| WSCAD Universe<br>891-8994/116-501    | ↓ |

## 1 Compatible Products

### 1.1 Required Accessories

#### 1.1.1 Locking system

##### 1.1.1.1 Locking system



##### [Item No.: 890-111](#)

Locking lever; for flying leads; for tool operation; black

##### [Item No.: 890-131](#)

Locking lever; for flying leads; for tool operation; white

##### [Item No.: 890-101](#)

Locking lever; for manual operation; black

##### [Item No.: 890-121](#)

Locking lever; for manual operation; white

## 1.2 Optional Accessories

### 1.2.1 Cover

#### 1.2.1.1 Cover



**Item No.: 897-2003**

Protective cap; Type2; for sockets and plugs; PVC; red

## 1.2.2 Installation

### 1.2.2.1 Mounting accessories



**Item No.: 890-310**

Mounting carrier; 2- to 5-pole; for flying leads; black



**Item No.: 890-311**

Mounting carrier; 2- to 5-pole; for flying leads; white