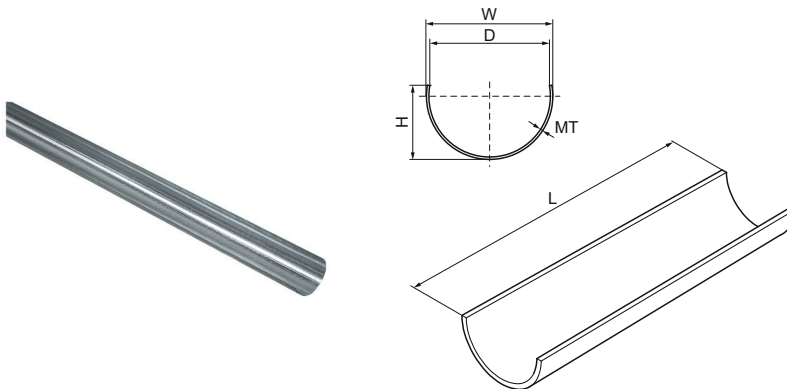


## Walraven Pipe Reinforcement

(K3505)

support for plastic pipe



### Features & benefits

- self-gripping and continuous support for plastic pipes to prevent unsatisfactory deflections
- allows for longer distance between supports (fixing distance with reinforcement is 1.5 times longer than the distance without reinforcement)
- controls direction of pipe expansion. Maintains alignment of pipe, and prohibits "snaking"
- reinforcement fits inside insulation
- lightweight and economical, also 3 meter lengths are easy to handle
- eases handling and speeds installation of PEX tubing
- can be cut with hand tools
- material: steel 1.0226
- pre-galvanized
- to be used with e.g. BISMAT® 5000 and Bifix® 5000

Product Number	Outside Pipe Diameter	Total Height	Total Width	Total Length	Material Thickness	Self Clamping?
Reference Letter	D	H	W	L	MT	
Unit description	mm	mm	mm	mm	mm	
0635316	16	10	18	3,000	0.80	Yes
0635320	20	13	22	3,000	0.80	Yes
0635325	25	16	27	3,000	0.80	Yes
0635332	32	20	34	3,000	0.80	Yes
0635340	40	24	42	3,000	0.80	Yes
0635350	50	30	52	3,000	0.80	Yes
0635356	56	28	58	3,000	0.80	No
0635363	63	38	65	3,000	0.80	Yes
0635375	75	45	77	3,000	0.80	Yes
0635390	90	54	92	3,000	0.80	Yes
0635391	110	65	112	3,000	0.80	Yes
0635392	125	125	127	3,000	0.80	No
0635393	160	81	162	3,000	0.80	No