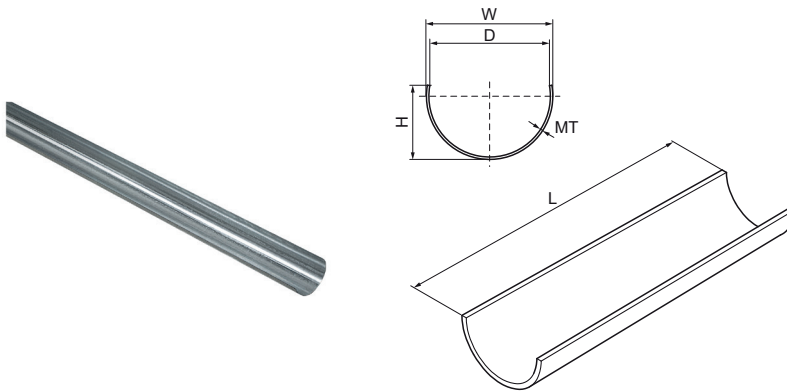


Walraven Pipe Reinforcement

(K3505)

support for plastic pipe



Features & benefits

- self-gripping and continuous support for plastic pipes to prevent unsatisfactory deflections
- allows for longer distance between supports (fixing distance with reinforcement is 1.5 times longer than the distance without reinforcement)
- controls direction of pipe expansion. Maintains alignment of pipe, and prohibits "snaking"
- reinforcement fits inside insulation
- lightweight and economical, also 3 meter lengths are easy to handle
- eases handling and speeds installation of PEX tubing
- can be cut with hand tools
- material: steel 1.0226
- pre-galvanized
- to be used with e.g. BISMAT® 5000 and Bifix® 5000

Product Number	VVS Number	Outside Pipe Diameter	Total Height	Total Width	Total Length	Material Thickness	Self Clamping?
Reference Letter		D	H	W	L	MT	
Unit description		mm	mm	mm	mm	mm	
0635316	18036216	16	10	18	3,000	0.80	Yes
0635320	18036220	20	13	22	3,000	0.80	Yes
0635325	18036225	25	16	27	3,000	0.80	Yes
0635332	18036232	32	20	34	3,000	0.80	Yes
0635340	18036240	40	24	42	3,000	0.80	Yes
0635350	18036250	50	30	52	3,000	0.80	Yes
0635356	18036256	56	28	58	3,000	0.80	No
0635363	18036263	63	38	65	3,000	0.80	Yes
0635375		75	45	77	3,000	0.80	Yes
0635390	18036290	90	54	92	3,000	0.80	Yes
0635391	18036300	110	65	112	3,000	0.80	Yes
0635392	18036325	125	125	127	3,000	0.80	No
0635393	18036360	160	81	162	3,000	0.80	No