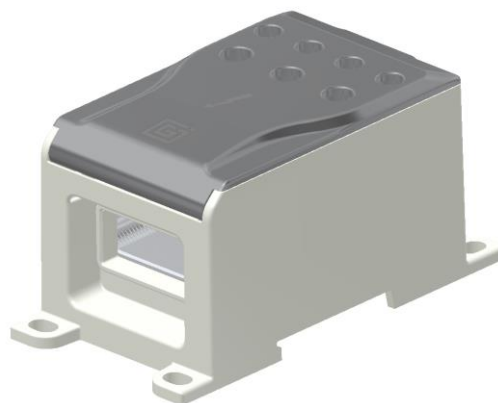


Product data

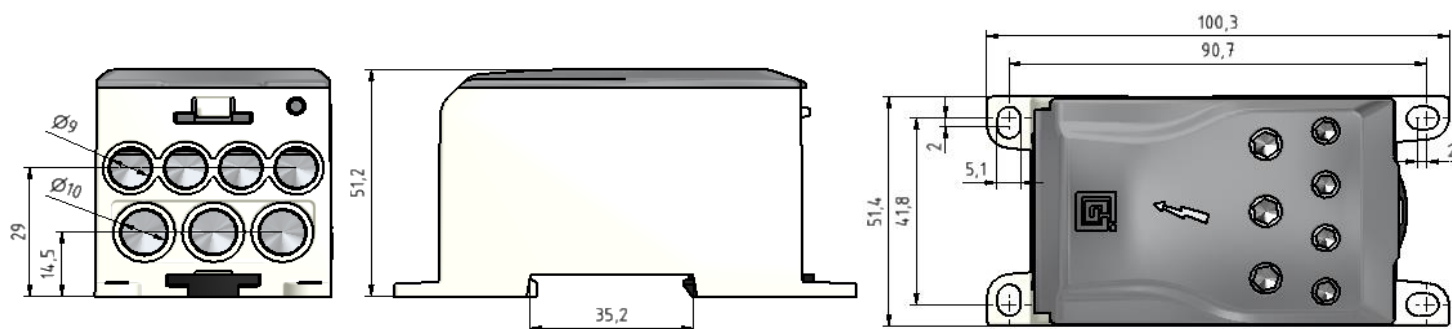
Product code	VG03-0009	STK-code	1912095	EAN-code	6410019120950
Product name	OJL-connector 400 FBB				
Wires	3xCu(6-50 mm ²)/ 4xCu(2,5-35mm ²)	Flexible busbar	10xCu(1x25)		

Technical data

Nominal current	Cu	425	A
	Al	380	A
Nominal voltage		1000	V
Max. Current (US)	Cu	-	A
	Al	-	A
Max. Voltage (US)		-	V
Number of pole		1	pcs
Max. Cross section		240	mm ²
Tightening for cable	2,5-35 mm ²	6	Nm
Tightening for cable	6-50 mm ²	10	Nm
Tightening for busbar	10xCu(1x25)	10	Nm
	-	-	Nm
Max. Operating temperature		80	°C
Weight		247	g
IP-protection		IP20	
Standards	EN 61238-1:2003; EN 60947-7-1:2009		
Color/ Material	Grey Cover, Grey Housing RAL 7035		
Mounting/ Connection	DIN-rail and screw mounting		


Description

The Single pole distribution block for branching connection. The single pole distribution block are compact and it will distribute the current through 7 output cables. Input connection with flexible busbar. Max 10x(Cu 1x25)

Drawing

Package

Package	Box	pcs/ package	8	Weight [Kg]	2,10
Length [mm]	210	Width [mm]	155	Height [mm]	105