

Product data

Product code	VE04-0008	STK-code	1914267	EAN-code	6410019142679
Product name	Potential equalizer busbar 14 x 25 mm ²			ETIM class	EC001470
Wires	14xAl/Cu 1,5-25 mm ²				

Technical data

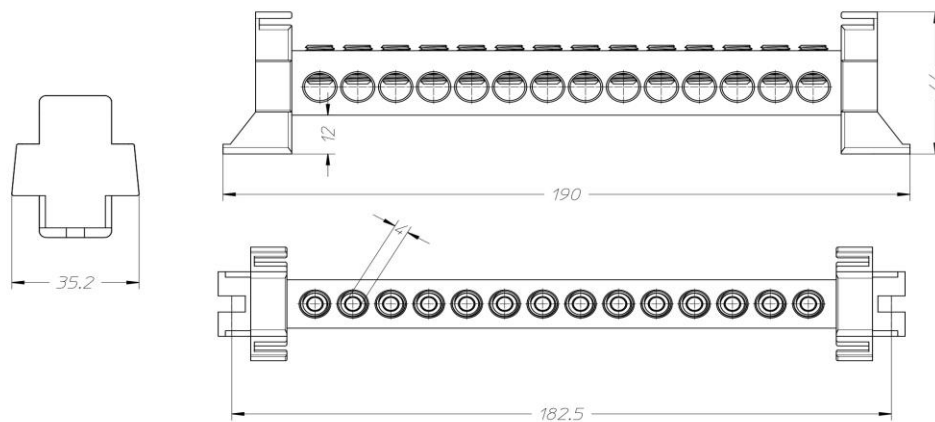
	-	
	-	
Nominal voltage (IEC)	690	V
	-	
	-	
Number of poles	1	pcs
Max. Cross section	25	mm ²
Tightening torque		
	1,5-6 mm ²	3 Nm
	10-25 mm ²	6 Nm
	-	
	-	
Max. Operating temperature	80	°C
Weight	113	g
	-	
	-	
Color / Material	Grey RAL 7035/PA66, Tin plated Aluminium	
Mounting / Connection	Screw	



Description

Potential equalizer busbars are used for connecting or assembling potential equalizer cables. Busbars are made of aluminium and plated with tin.

Drawing



Package

Package	Box	Pcs / Package	5	Weight [kg]	0,62
Length [mm]	210	Width [mm]	155	Height [mm]	105

Ouneva Oy

Teollisuustie 21
FI-82730 Tuupovaara
Finland

Tel. +358 400 179 750
info@ouneva.fi

www.ounevagroup.fi
www.ounevaproducts.fi