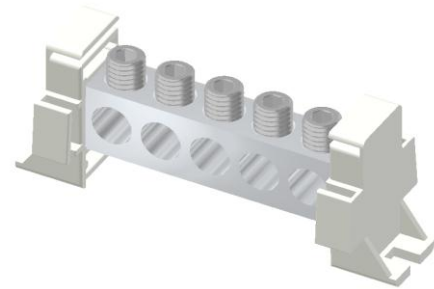


Product data

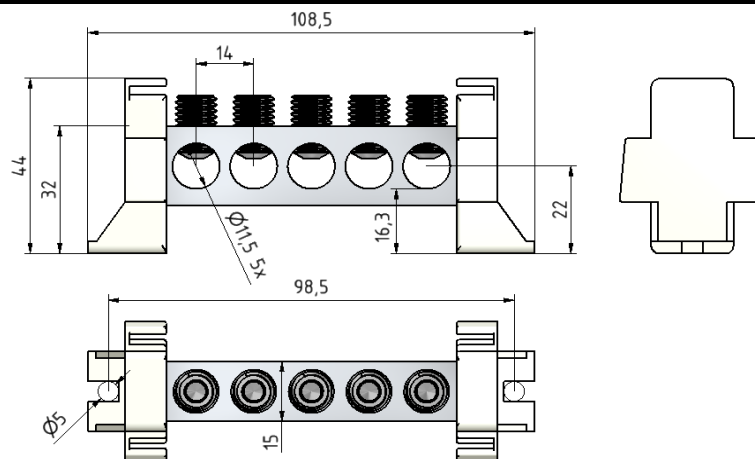
Product code	VE04-0001	STK-code	1912127	EAN-code	6410019121278
Product name	Potential equalizer busbars 5xAl/Cu 6-50 mm ²				
Wires	5xAl/Cu 6-50 mm ²				

Technical data

Nominal current	Cu	-	A
	Al	-	A
Nominal voltage		690	V
Max. Current (US)	Cu	-	A
	Al	-	A
Max. Voltage (US)		-	V
Number of pole		1	pcs
Max. Cross section		50	mm ²
Tightening torque	6-16	7	Nm
	25-50	14	Nm
	-	-	Nm
	-	-	Nm
Max. Operating temperature		80	°C
Weight		68	g
IP-protection		-	
Standards	-		
Color/ Material	-		
Mounting/ Connection	Screw max. M5 mounting		


Description

Potential equalizer busbars are used to connecting or assembling potential-equalizer cables. Busbars are made of aluminium and plated by tin.

Drawing

Package

Package	Box	pcs/ package	5	Weight [Kg]	0,40
Length [mm]	100	Width [mm]	130	Height [mm]	100