

Presence detector P48LR, DALI-2, master, 32-37 m, IP54, for surface mounting, white

353-752421

4 year warranty

This presence detector is a DALI-2 master for lighting control in up to 4 zones. The detector is fitted with multiple functions and can be controlled wirelessly using push buttons (360-21001). It is designed for surface mounting and has an IP54 protection degree. The lighting zones are defined during commissioning using the Niko detector tool app and 2-way Bluetooth® communication between a smartphone and the detector.

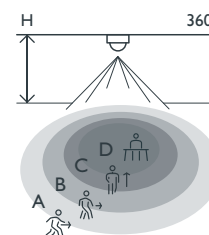
Finishing colour: white

Compatible secondary detectors: 353-650021, 353-651021, 353-652021, 353-750021, 353-751021, 353-752021, 353-852011

- Surface mounting
- Lighting control in up to 4 zones (daylight controlled)
- Lighting zones can be controlled wirelessly by push buttons
- Quick cabling using screwless and easily accessible plug-in terminals
- Commissioning using app (iOS/Android) and 2-way Bluetooth® communication
- Supports DALI broadcast (default) and DALI addressable (up to 64 devices)
- Pre-configured functions:
 - auto configuration / orientation light / night mode
 - light scenarios – define and control up to 16 light scenarios
 - wireless communication master-to-master enabling: folding door, lighting control in adjacent areas, unlimited number of DALI devices (> 64 DALI devices)
 - multi zone for board lighting and smart board lighting
 - tunable white using integrated presets or third-party integration
 - human centric lighting (24 presets)
 - output relay - control HVAC / standby minimization / light (On/Off)
 - external relay for HVAC / standby minimization / light (On/Off)
 - adjustable turn-on level when daylight control is disabled
 - adjustable PIR sensitivity (5 levels incl. disable) in 3 x 120°
 - event log keeps track of recent changes
- DALI lighting control can be overridden with a 230 V push button - different options available
- External DALI-2 input devices via DALI bus - up to 64 devices
- External trigger can be connected e.g. security alarm
- Web based portal solution for backing up and exchanging configuration files
- Settings and configuration can be locked with a PIN code
- IP54 protection degree
- Suitable for BMS integration



Detection range



H	A Walking	B Across	C Towards	D Presence
2.5 m	∅ 32 m	∅ 28 m	∅ 10 m	∅ 8 m
3.0 m	∅ 37 m	∅ 30 m	∅ 8 m	∅ 4 m

Measured according to EN/IEC63180



DALI-2



master



360°



∅ 37 m from
a height of
3 m



2 – 3.5 m



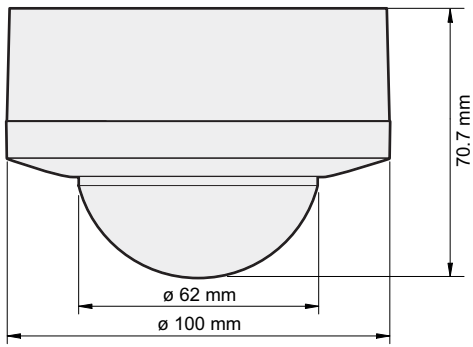
surface
mounting

niko

Technical data

Article number	353-752421
Compatible secondary detectors	353-650021, 353-651021, 353-652021, 353-750021, 353-751021, 353-752021, 353-852011
Input voltage	230 Vac \pm 10 %, 50 Hz
Detector output	DALI Broadcast/DALI Addressable
Maximum power consumption	0.6 W
Maximum power consumption wireless link active	0.65 W
Maximum MCB rating	16 A (limited by national installation rules)
Short circuit behaviour shutdown trigger	voltage below 12 V, exceeding 1.3 s
Short circuit behaviour restart period	every 14 s until success
Maximum voltage on the DALI bus	15 Vdc
Maximum guaranteed current on the DALI bus	200 mA
Maximum supply current	250 mA
Maximum startup time DALI	< 1200 ms
Maximum PIR detection startup time	1 min 10 s
Relay contact	N.O. (max. 10 A), potential-free
Maximum load incandescent and halogen lamps ($\cos\phi=1$)	2300 W
Maximum load fluorescent lamps ($\cos\phi \geq 0.5$)	1200 VA
Maximum load economy lamps (CFLi)	350 W
Maximum load LED lamps 230 V	350 W
Maximum load LED driver	500 VA
Maximum load electronic transformer	500 VA
Maximum capacitive load	140 μ F
Maximum switching current	165 A/20 ms – 800 A/200 μ s
Light intensity range	20 lux – 2000 lux, ∞
Number of channels	1 channel
Maximum number of control gear on the DALI bus	64
Maximum number of dimmable zones	4
Switch-off delay	pulse, 30 s – 2 h, ∞
Detection angle	360 °
Detection range (PIR)	\varnothing 37 m from a height of 3 m
Ambient temperature	-25 – +40 °C
Mounting method	surface mounting
Mounting height	2 – 3.5 m
Colour	white (approximately RAL 9010)
Dimensions visible (HxWxD)	100 x 100 x 70.7 mm
Dimensions (HxWxD)	100 x 100 x 70.7 mm
Maximum range Bluetooth® (free field, depending on the device)	50 m
Operating frequency	2.4 GHz
Maximum radio frequency power	-2 dBm
Protection degree	IP54
Impact resistance	IK04
Modification of settings	Niko detector tool app (iOS-Android) and 2-way Bluetooth® communication
Halogen-free	yes
Marking	CE

Dimensions



Wiring diagram

