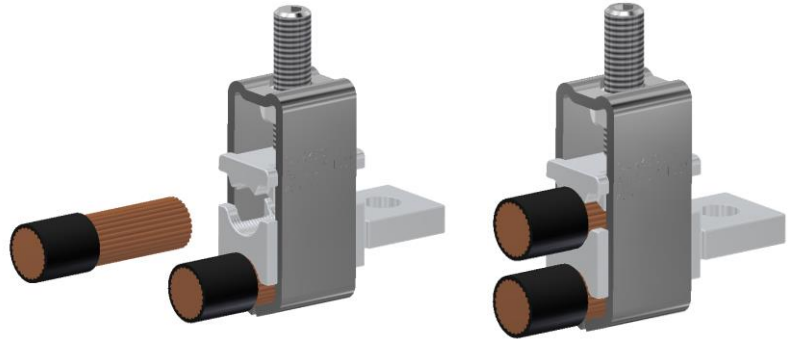


Product data				
Product code	Product name	$I_n$ Al	$I_n$ Cu	$U_n$
<b>VC01-0011</b>	<b>OL2x50-150</b>	<b>455 A</b>	<b>579</b>	-
		$I_{max}$ Al	$I_{max}$ Cu	$U_{max}$
		-	-	-

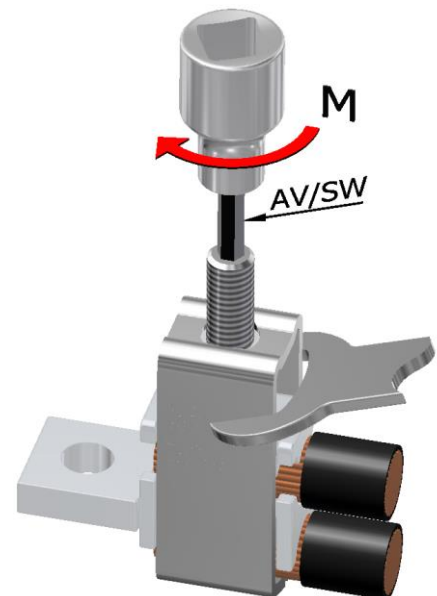
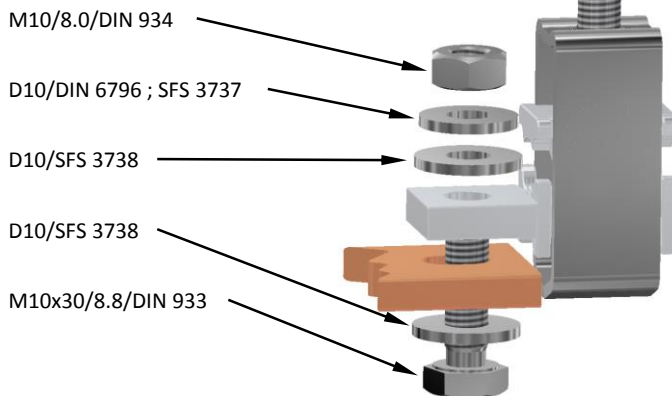
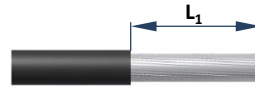
Installation	
Type	<b>Screw M10</b>

OL-Connectors are suitable for Aluminium- and Copper conductors.  
The conductor is mounted under tin plated copper busbar. See picture ->

- Strip cable, see stripping length  $L_1$  (table below)
- Remove any layers of oxide.
- Segmental conductors have to be rounded before mounting.



Connection				
Screw head for tool	SW	<b>5 mm</b>	Conductors	<b>2xAl/Cu 50-150 mm<sup>2</sup></b>
Tightening torque M	50-150 mm <sup>2</sup>	<b>40 Nm</b>	Stripping length	$L_1$ <b>32±2 mm</b>
	-	-		
	-	-		
	-	-		



**Mounting to busbar:**

- Be sure that there are no burrs around the hole.
- Length of the screw depends on the busbar thickness.
- Use standard screws, nuts and washers. (Plated with Zn)
- Recommended torque for M10 is 30-44 Nm

- Tighten the screw with torque **M**
- Support connector during tightening.

Wiring, pcs / connection, Cu(Al)							
1,5 mm <sup>2</sup>	2,5 mm <sup>2</sup>	6 mm <sup>2</sup>	10 mm <sup>2</sup>	16 mm <sup>2</sup>	25 mm <sup>2</sup>	35 mm <sup>2</sup>	50 mm <sup>2</sup>
-	-	-	-	-	-	-	<b>3(1)</b>
70 mm <sup>2</sup>	95 mm <sup>2</sup>	120 mm <sup>2</sup>	150 mm <sup>2</sup>	185 mm <sup>2</sup>	240 mm <sup>2</sup>	300 mm <sup>2</sup>	400 mm <sup>2</sup>
<b>2(1)</b>	<b>1(1)</b>	<b>1(1)</b>	<b>1(1)</b>	-	-	-	-

**Ouneva Oy**

Teollisuustie 21  
FI-82730 Tuupovaara  
Finland

Tel. +358 400 179 750  
[info@ouneva.fi](mailto:info@ouneva.fi)

[www.ounevagroup.fi](http://www.ounevagroup.fi)  
[www.ounevaproducts.fi](http://www.ounevaproducts.fi)