

Technische Daten/ Technical Data

KLUDI DECUS

concealed single lever bath-and shower mixer
with security combination according to EN 1717

Ref.: 547630575

Finishes:
05 chrome

Product description

Manufacturer KLUDI GmbH & Co. KG

Typ: KLUDI DECUS

concealed single lever bath-and shower mixer

Ref.: 547630575

concealed bath-shower mixer

single lever mixer

trim set without pre-installation set

for pre-installation set KLUDI SLIM.BOXX Ref.: 88022

trim set with functional unit

wall mounted

PUSH&SWITCH diverter

automatic diverter: shower/bath

solid lever, metal

protected against back flow

ceramic cartridge with hot water safety device

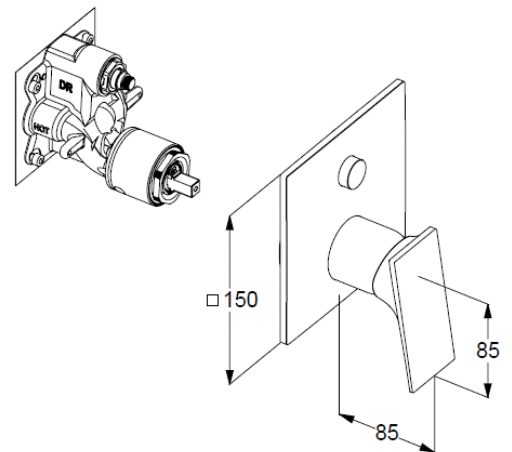
flow rate bath at 3 bar 25 l/min.

flow rate shower at 3 bar 23 l/min.

Produktabbildung/ Product picture



Maßzeichnung/ Dimensional drawing



Durchfluss/ Flow rate

