



### Features

- Exterior LED Floodlight, comes complete with 1000mm flying lead and adjustable bracket, aluminium housing, clear glass diffuser, integrated anti-condensation valve, IP66, IK08, Class I, 3000K, CRI80, DALI dimmable, 3000lm, 23W, 130lm/W, Asymmetrical Wide beam, 100.000hrs L80B50 lifespan, 331 x 237 x 68mm (LxWxD) dimensions, 2.4kg weight, RAL9017 Traffic Black color, Ball-impact-resistance according to DIN57710-13 VDE 0710 13/5.81, DIN 18032-3, Resistance against swimming pool atmospheric environments.

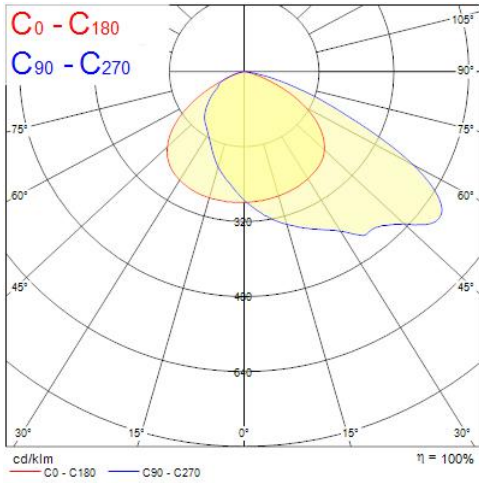
### Product Overview

Product name	Kalani IP66 3KLM 830 ASYM DALI
Technology	LED
Cap/Base	N/A
Housing	Aluminium
Mount	Other
General application	Logistics & Industry
ETIM Class	EC001744
E-number FI	4579647
Fixture luminous flux (lm)	3000
Luminaire efficacy (lm/W)	130
Correlated colour temperature (k)	3000
Light colour	Warm White
CRI (Ra)	80
Colour Variation Initial (SDCM)	3
Beam Angle (°)	65x120
Photobiological Risk Group	RG1
Total power consumption (W)	23
Electrical protection	Class I

## Kalani IP66 3KLM 830 ASYM DALI 0056805

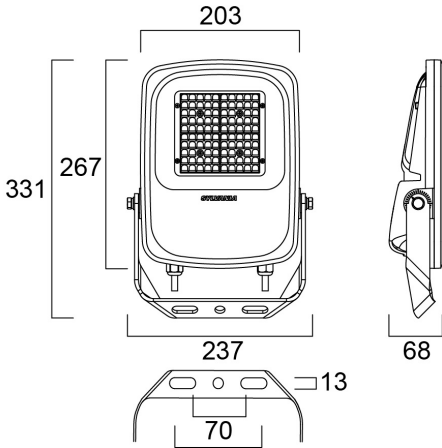
Control gear type	LED driver constant current
Dimmable	Yes
LED Flickering Rate	Low (6% - 20%)
Housing colour	RAL9017
IP rating	IP66
IK rating	IK08
Product EAN number	5410288568058
Warranty	5 years
Dimming method	DALI-2

## Photometry



## Kalani IP66 3KLM 830 ASYM DALI 0056805

### Technical drawings



### Data table

#### GENERAL DATA

Product name	Kalani IP66 3KLM 830 ASYM DALI
Technology	LED
Cap/Base	N/A
Housing	Aluminium
Mount	Other
General application	Logistics & Industry
Operating temperature range (°C)	-30°C...+50°C
ETIM Class	EC001744
E-number FI	4579647
Warranty	5 years

#### OPTICAL DATA

Fixture luminous flux (lm)	3000
Luminaire efficacy (lm/W)	130
Correlated colour temperature (k)	3000
Light colour	Warm White

## Kalani IP66 3KLM 830 ASYM DALI 0056805

CRI (Ra)	80
Colour Variation Initial (SDCM)	3
Beam Angle (°)	65x120
Distribution type	Asymmetric
Photobiological Risk Group	RG1

### ELECTRICAL DATA

Total power consumption (W)	23
Current (A)	0.100
Primary Supply/Product voltage - min (V)	220.0
Primary Supply/Product voltage - max (V)	240.0
Lamp power factor	0.95
THD (at 230 V, 50 Hz, full load, at 100% dimming level) ≤ xx.x %	10
Electrical protection	Class I
Control gear required	Yes
Control gear type	LED driver constant current
Dimmable	Yes
Dimming method	DALI-2
Drive current (mA)	600
Inrush Current (A)	14
Inrush Duration (µs)	36
Energy Efficiency Class (A->G) of contained light source	D
Nominal Frequency (Hz)	50/60Hz
LED Flickering Rate	Low (6% - 20%)
Max. products per 10A C Breaker	20
Max. products per 13A C Breaker	23
Max. products per 16A C Breaker	30
Max. products per 20A C Breaker	40
Max. products per 10A B Breaker	16
Max. products per 13A B Breaker	20
Max. products per 16A B Breaker	25
Max. products per 20A B Breaker	28

## Kalani IP66 3KLM 830 ASYM DALI 0056805

Mains surge immunity (differential mode -> L-N) (kV)	10
Mains surge immunity (common mode -> L/N - GND) (kV)	10
Connectable conductor cross section - Min (mm <sup>2</sup> )	1
Connectable conductor cross section - Max (mm <sup>2</sup> )	1

### LIFETIME DATA

Lifespan L70 B50	100000
Lifespan L80 B50	100000
Lifespan L80 B20	100000

### PHYSICAL DATA

Housing colour	RAL9017
IP rating	IP66
IK rating	IK08
Diffuser finish	Transparent
Diffuser material	Glass
Reflector finish	Matt
Nominal Product Length (mm)	331
Nominal Product Width (mm)	237
Nominal Product Height (mm)	68
Weight (kg)	2.4

### PACKAGING

Product EAN number	5410288568058
Packaging single length / height (cm)	33.0
Packaging single width (cm)	23.5
Packaging single depth (cm)	6.8
DUN14 (inner)	05410288568058
Units per outer package	1
Packaging outer length / height (cm)	33.0

## Kalani IP66 3KLM 830 ASYM DALI 0056805

Packaging outer width (cm)	23.5
Packaging outer depth (cm)	6.8

### SAFETY DATA

Glow Wire Test (°C)	650
Optimal operating condition (°C)	-30-50
Special purpose lamp	No
Dry applications use only	No
Suitable for household illumination	No