

— S200C

End of Life Instruction

Decommissioning instructions available to enable responsible recycling or disposal



PREPARED 2024-08-29 M. Ferrero Peñalver	DOCUMENT KIND EoL Instructions	SECURITY LEVEL Public		
OWNING ORGANIZATION ABB - ELSB	DOCUMENT ID. 9AKK108468A3913	REV. B	LANG. en	PAGE 1/6

Contents

1. Purpose and Basic Description	3
2. Dismantling instructions	3
2.1. 3 & 4 Poles products (2 modules):.....	3
2.2. 1 & 2 poles product (1 module):	4
2.2.1. Left side.....	4
2.2.2. Right side	5
3. Constituent materials	6
4. Additional Information.....	6

1. Purpose and Basic Description

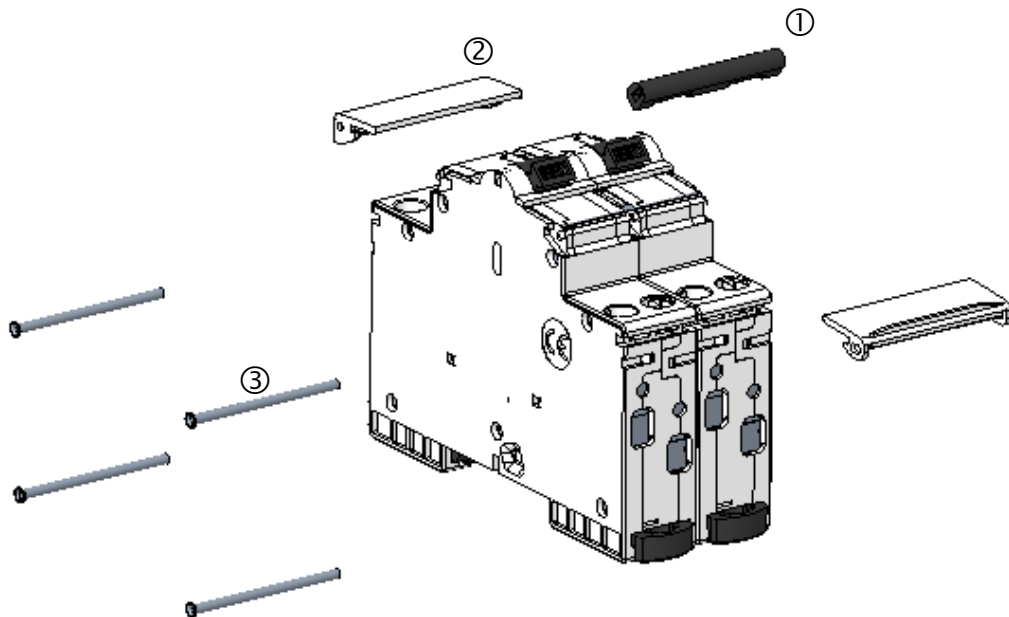
This product family is in the scope of European Union directive 2012/19/EU on Waste Electrical and Electronic Equipment (WEEE). The product family must be disposed according to the legislation of the country. This the end-of-life instructions is intended for use by customers and recycling companies which outline the responsible recycling or disposal method of the ABB product.

S200C MCB is designed as compact version, which makes them well-suited for saving space in the installation, to be used in installations where high breaking capacities are required to protect against short-circuits and overloads, including also marine and traction segments.

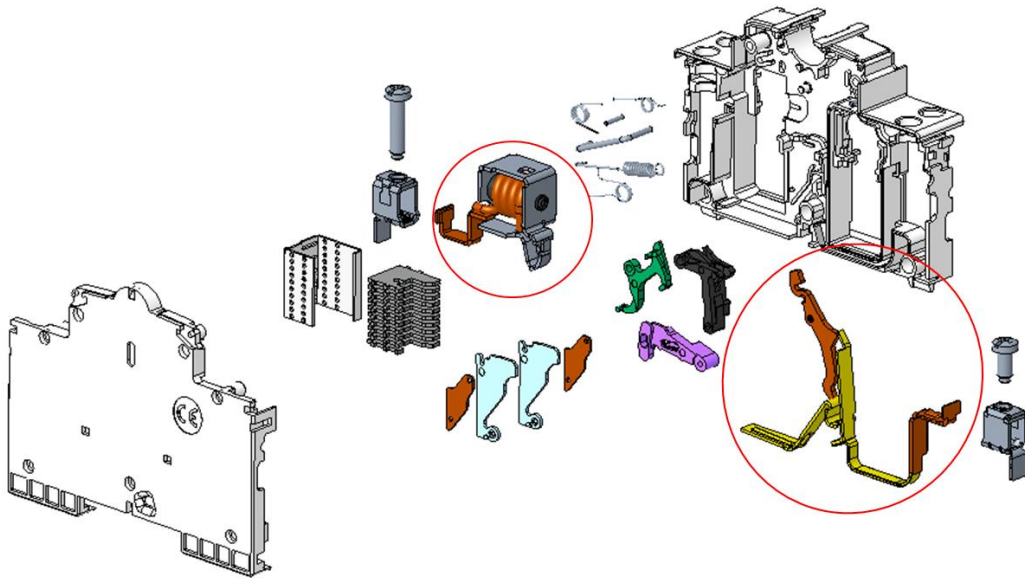
2. Dismantling instructions

2.1. 3 & 4 Poles products (2 modules):

In case of more than 1 module, first, the handle toggle⁽¹⁾, the label windows⁽²⁾, and the four marked rivets⁽³⁾ should be removed to split the product into simple modules.



2.2.2. Right side



*Rounded parts have soldered or riveted pieces that cannot be manually disassembled.

3. Constituent materials

Plastics		Metals		Packaging	
PA + GF	12.3%	Steel	24.6%	AGC + Graphite	6.8%
PA	10.5%	Copper	10.5%	Cardboard	9.3%
PPS	1.3%	Brass	1.7%	Paper	0.8
PBT + GF	1.2%	Stainless steel	2.2%		
PBT	2.0%	Other Metals	16.9%		

*% of total weight for one pole.

4. Additional Information

Weight per Pole	160g
Overall dimensions (H x D x W)	86 x 70 x 18 mm
Recyclability rate	85,36%