

Plug

Part number: 676A



MENNEKES
Elektrotechnik GmbH & Co. KG

Aloys-Mennekes-Straße 1
57399 Kirchhundem
GERMANY

www.MENNEKES.org

Product Description

- screw connection technology
- protection against kinking
- strain relief
- cable gland and sealing

Technical Details

| Plug | 676A |
|---|---------------------------------|
| Ampere | 32A |
| Number of poles | 3p |
| Clock position | 12h |
| Nominal voltage AC | 40 - 50V |
| Nominal frequency | 50 - 60 Hz |
| Protection type IP | IP44 |
| Contact carrier | standard |
| Connection | screw terminals |
| Contact screw drive | PZ2, slot |
| Recommended wire end treatment for supply cable connection terminal | ferrule square gasproof crimped |
| Phase inverter | without phase inverter |
| Pilot contact | without pilot contact |
| Conductor cross-section min. | 4 mm ² |
| Conductor cross-section max. | 10 mm ² |
| Cable kink protection | integrated in cable gland |
| Protective grommet | without protective grommet |
| Protective cap | without protective cap |
| Weight (net) | 177 g |
| Packaging unit | 10 pcs |
| EAN / identification number | 4015394005148 |

Permissible ambient conditions

| | Min. | Max. |
|-------------------------------|--------|-------|
| Permanent ambient temperature | -25 °C | 40 °C |

Material properties

| | |
|------------|--------------------------------------|
| Front part | PA6 light grey [similar RAL 7035] |
| Housing | PC/PET light grey [similar RAL 7035] |
| Fastening | PA6 light grey [similar RAL 7035] |

Material resistance

The material resistance overview can be found on the website in the section “Knowledge” - “Product knowledge” - “Materials”.

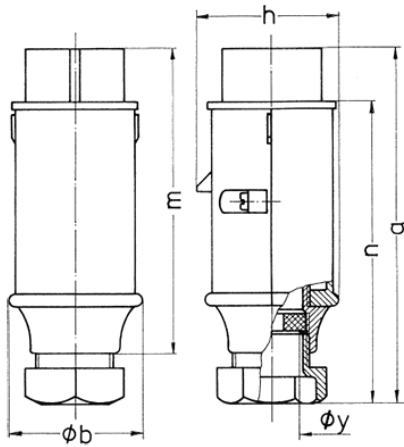
Material and enviromental properties

| | |
|-----------------------------------|---|
| RoHS 2011/65/EU incl. 2015/863/EU | ✓ |
| POP regulation (EU) 2019/1021 | ✓ |

Regulations and Standards

| | |
|---------------------------|--------------------|
| Norm | DIN EN IEC 60309-2 |
| Declaration of Conformity | CE |
| Test label | EAC, CQC |

Dimensional Drawing



| Drawing | Amp. Poles | 16 | | 32 | |
|--------------------------------------|---------------|------|------|------|------|
| | | 2 | 3 | 2 | 3 |
| 2 MB 158 | | | | | |
| Dim. in mm | a | 150 | 150 | 150 | 150 |
| | b | 55 | 55 | 55 | 55 |
| | h | 58 | 58 | 58 | 58 |
| | m | 128 | 128 | 128 | 128 |
| | n | 130 | 130 | 130 | 130 |
| | y | 24.7 | 24.7 | 24.7 | 24.7 |
| Terminal for cond. cross | | 4 | 4 | 4 | 4 |
| section (mm ²) min.-max. | | —10 | —10 | —10 | —10 |