



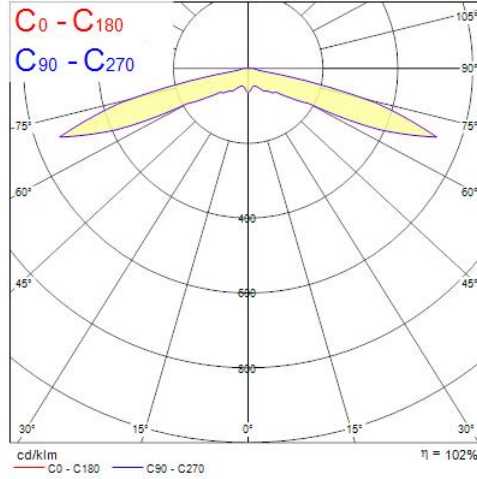
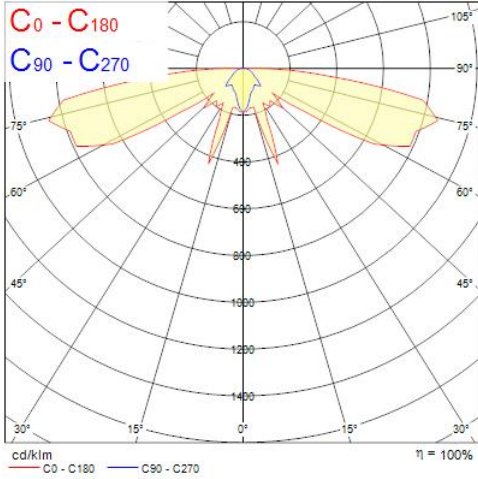
Features

- SylSafe Spot RA C EM3 NM MS is a miniature emergency surface mounted downlight with interchangeable optics for open area and escape route illumination. Non-maintained 3 hr emergency duration with NiMH rechargeable battery. Recharge period 24 hours. 145lm, 1.8W, IK03, IP40. Power Factor 0.44. Class II electrical construction.

Product Overview

Product name	SylSafe Spot RA C EM3 NM MS
Technology	LED
Mount	Ceiling surface mounting
Fixture luminous flux (lm)	145
Luminaire efficacy (lm/W)	81
Colour temperature (K)	6300
CRI (Ra)	70
Photobiological Risk Group	RG2
Luminous flux (emergency) (lm)	145
Electrical protection	Class II
Housing colour	White
IP rating	IP40
IK rating	IK03
Product EAN number	5410288417295
Warranty	5 years

Photometry



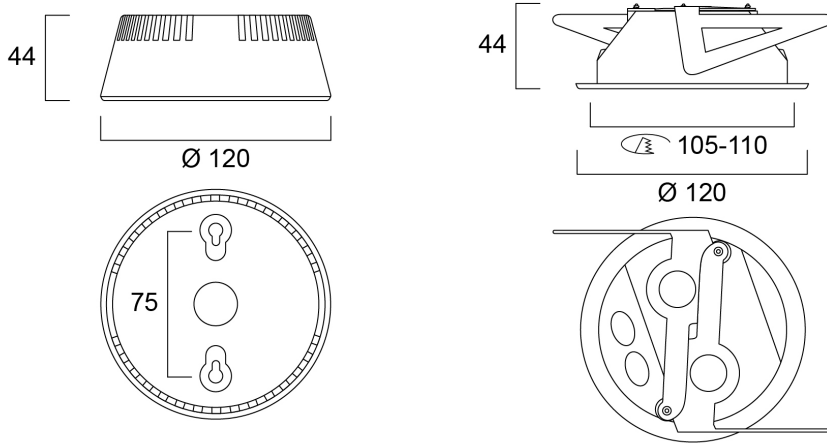
Distance [m]	Cone diameter [m]	E(0°) E(C90) E(C0)	Illuminance [lx]
0.5	1.10 9.68	47.7° 84.1°	109 17 0
1.0	2.20 19.35	47.7° 84.1°	27 4 0
1.5	3.30 29.03	47.7° 84.1°	12 2 0
2.0	4.40 38.71	47.7° 84.1°	7 1 0
2.5	5.49 48.38	47.7° 84.1°	4 1 0
3.0	6.59 58.06	47.7° 84.1°	3 0 0

Distance [m] Cone diameter [m] Illuminance [lx]
— C0 - C180 (Half beam angle: 152.2°)
— C90 - C270 (Half beam angle: 95.4°)

Distance [m]	Cone diameter [m]	E(0°) E(C0)	Illuminance [lx]
0.5	4.10	76.3°	38 2
1.0	8.20	76.3°	9 1
1.5	12.31	76.3°	4 0
2.0	16.41	76.3°	2 0
2.5	20.51	76.3°	2 0
3.0	24.61	76.3°	1 0

Distance [m] Cone diameter [m] Illuminance [lx]
— C0 - C180 (Half beam angle: 152.6°)

Technical drawings



Data table

GENERAL DATA

Product name	SylSafe Spot RA C EM3 NM MS
Technology	LED
Mount	Ceiling surface mounting
Warranty	5 years

OPTICAL DATA

Fixture luminous flux (lm)	145
Luminaire efficacy (lm/W)	81
Colour temperature (K)	6300
CRI (Ra)	70
Photobiological Risk Group	RG2
Luminous flux (emergency) (lm)	145
Emergency duration (h)	3

ELECTRICAL DATA

SylSafe Spot RA C EM3 NM MS 0041729

Primary Supply/Product voltage - min (V)	220
Lamp power factor	0.44
Electrical protection	Class II
Control gear required	No
Drive current (mA)	35
Nominal Frequency (Hz)	50/60Hz

PHYSICAL DATA

Housing colour	White
IP rating	IP40
IK rating	IK03
Nominal Product Length (mm)	120
Nominal Product Width (mm)	120
Weight (kg)	0.246

PACKAGING

Single packaging type	Carton
Product EAN number	5410288417295
Packaging single width (cm)	12.8
Packaging single depth (cm)	5.8
DUN14 (inner)	05410288417295
DUN14 (outer)	05410288417295
Packaging outer length / height (cm)	52.0

SAFETY DATA

Special purpose lamp	No
Dry applications use only	No
Suitable for household illumination	No