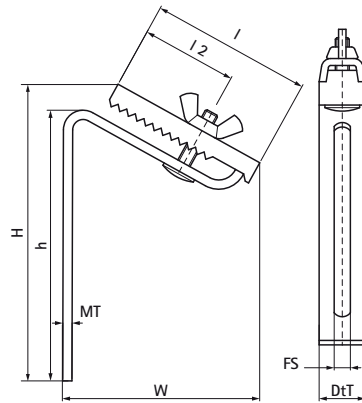


## Walraven Clamp for Corrugated Sheet

(K2705)



### Features & benefits

- for a tightened fixing of gutter to corrugated sheets
- no damage to corrugated sheet (suitable for every thickness)
- material: steel
- hot dip galvanized

Product Number	Total Height	Total Width	Total Depth	Height	Length	Length 2	Material Thickness	Fixing Slot
Reference letter	H	W	DtT	h	l	l2	MT	FS
Unit description	mm	mm	mm	mm	mm	mm	mm	mm
5191000	72	20	121	122	72	40	4.00	80x7
5191030	115	25	141	141	115	40	4.00	80x7