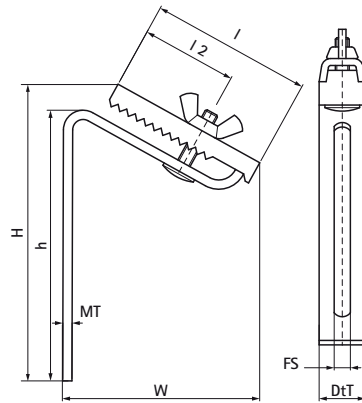


Walraven Clamp for Corrugated Sheet

(K2705)



Features & benefits

- for a tightened fixing of gutter to corrugated sheets
- no damage to corrugated sheet (suitable for every thickness)
- material: steel
- hot dip galvanized

Product Number	Total Height	Total Width	Total Depth	Height	Length	Length 2	Material Thickness	Fixing Slot
<i>Reference letter</i>	<i>H</i>	<i>W</i>	<i>DtT</i>	<i>h</i>	<i>l</i>	<i>l2</i>	<i>MT</i>	<i>FS</i>
<i>Unit description</i>	<i>mm</i>	<i>mm</i>	<i>mm</i>	<i>mm</i>	<i>mm</i>	<i>mm</i>	<i>mm</i>	<i>mm</i>
5191000	72	20	121	122	72	40	4.00	80x7
5191030	115	25	141	141	115	40	4.00	80x7