




Tumbler holder - Matte Black

SERIES SPECIFIC

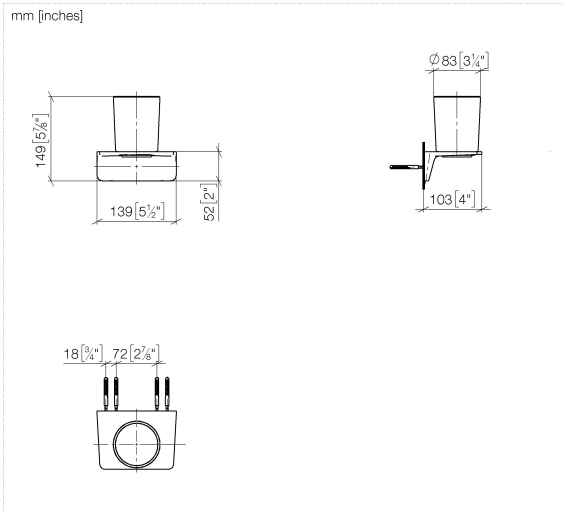
83 400 976 Product version from 4/1/2024



- gauge 90 mm
- width 139mm
- Height: 149 mm
- 103mm projection
- crystal glass brush holder, matte

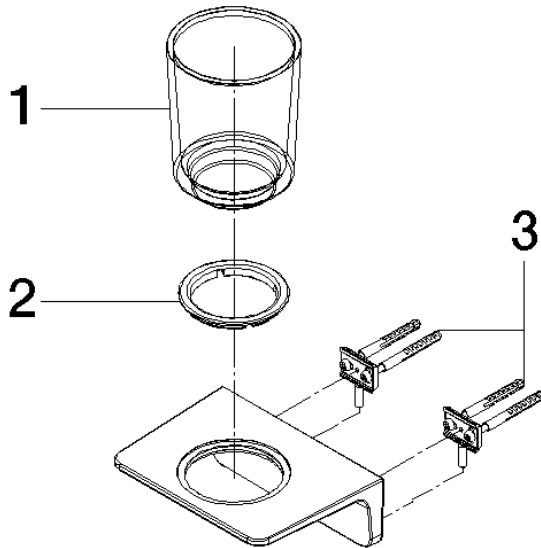
	Matte Black	83 400 976-33
	Brushed Dark Brass (PVD)	83 400 976-39
	Brushed Bronze (PVD)	83 400 976-42

83 400 976 Product version from 4/1/2024



83 400 976 Product version from 4/1/2024

Parts for other finishes can be found here: [Brushed Dark Brass \(PVD\)](#)



Spare parts list

No.	Item Number	Name	Quantity used	Delivery time
3	90 30 30 242 00 90	Attachment set -	2.00	14
1	90 90 00 060 00 90	Crystal tumbler matte -	1.00	14
2	90 14 15 073 00 90	Ring -	1.00	14