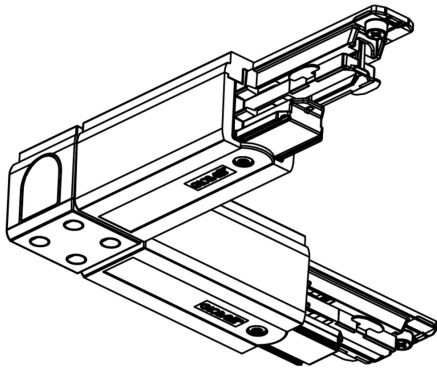


GLOBAL TRAC PULSE L FEED IN WHITE XTSC634-3



Features

- Global Trac Pulse accessory - Glass fiber reinforced polycarbonate L-feed that is applicable for three-circuit track systems where the polarity ridge is in the inner side. Dimensions - 99 x 99 x 33 mm (L x W x H), white (RAL 9010).



Product Overview

| | |
|--------------------|-----------------------------------|
| Product name | GLOBAL TRAC PULSE L FEED IN WHITE |
| Technology | Accessory |
| Housing | PC Polycarbonate |
| Light colour | N/A |
| Housing colour | RAL 9010 - Pure white |
| IP rating | IP20 |
| IK rating | IK02 |
| Product EAN number | 6410014532499 |
| Warranty | 5 years |

Data table

GENERAL DATA

| | |
|----------------------------------|-----------------------------------|
| Product name | GLOBAL TRAC PULSE L FEED IN WHITE |
| Technology | Accessory |
| Housing | PC Polycarbonate |
| Operating temperature range (°C) | 0°C...+25°C |

GLOBAL TRAC PULSE L FEED IN WHITE XTSC634-3

| | |
|----------|---------|
| Warranty | 5 years |
|----------|---------|

OPTICAL DATA

| | |
|--------------|-----|
| Light colour | N/A |
|--------------|-----|

ELECTRICAL DATA

| | |
|-----------------------|----|
| Control gear required | No |
|-----------------------|----|

PHYSICAL DATA

| | |
|----------------|-----------------------|
| Housing colour | RAL 9010 - Pure white |
|----------------|-----------------------|

| | |
|-----------|------|
| IP rating | IP20 |
|-----------|------|

| | |
|-----------|------|
| IK rating | IK02 |
|-----------|------|

| | |
|-----------------------------|----|
| Nominal Product Length (mm) | 99 |
|-----------------------------|----|

| | |
|----------------------------|----|
| Nominal Product Width (mm) | 99 |
|----------------------------|----|

| | |
|-------------|------|
| Weight (kg) | 0.12 |
|-------------|------|

PACKAGING

| | |
|-----------------------|---------|
| Single packaging type | Plastic |
|-----------------------|---------|

| | |
|--------------------|---------------|
| Product EAN number | 6410014532499 |
|--------------------|---------------|

| | |
|-----------------------------|------|
| Packaging single width (cm) | 16.7 |
|-----------------------------|------|

| | |
|-----------------------------|------|
| Packaging single depth (cm) | 0.32 |
|-----------------------------|------|

| | |
|---------------|----------------|
| DUN14 (outer) | 06410014532499 |
|---------------|----------------|

| | |
|--------------------------------------|------|
| Packaging outer length / height (cm) | 40.0 |
|--------------------------------------|------|

SAFETY DATA

| | |
|----------------------|----|
| Special purpose lamp | No |
|----------------------|----|

| | |
|---------------------------|----|
| Dry applications use only | No |
|---------------------------|----|

| | |
|-------------------------------------|----|
| Suitable for household illumination | No |
|-------------------------------------|----|