

# ESDEC

INNOVATIVE MOUNTING SYSTEMS



## MANUAL CLICKFIT EVO STANDING SEAM ROOF

**CLICKFIT** EVO

# TABLE OF CONTENTS

<b>Introduction</b>	<b>3</b>
About this document	3
Other relevant documents	3
Earthing and bonding	3
Symbols used in this manual	3
<b>Warranty and liability</b>	<b>3</b>
Warranty	3
Liability	3
<b>Product information</b>	<b>4</b>
Intended use	4
Improper use	4
Compatible solar panel flange dimensions	4
Specifications	4
<b>System and application</b>	<b>5</b>
<b>Components</b>	<b>5</b>
<b>Application</b>	<b>6</b>
<b>Safety</b>	<b>7</b>
<b>Personal protective equipment</b>	<b>7</b>
<b>Safety warnings and regulations</b>	<b>7</b>
<b>Installation</b>	<b>8</b>
<b>Preparation</b>	<b>8</b>
Tightening torques	8
<b>Preparing and sizing mounting rails</b>	<b>11</b>
<b>Fixing the seam clamps</b>	<b>13</b>
<b>Attaching the mounting rails</b>	<b>14</b>
<b>Optional: Attaching the MLPE clips</b>	<b>15</b>
ClickFit EVO MLPE Clip Light Weight	15
ClickFit EVO MLPE Clip Heavy Weight	16
<b>Mounting the first panel</b>	<b>17</b>
<b>Mounting the following panels</b>	<b>21</b>
<b>Mounting the last panel</b>	<b>22</b>
<b>Mounting multiple rows</b>	<b>24</b>
<b>Removal and recycling</b>	<b>24</b>
General	24

## INTRODUCTION

### ABOUT THIS DOCUMENT

In this manual you will find the installation instructions for the ClickFit EVO mounting system for solar panels on pitched standing seam roofs.

The system is suitable for mounting solar panels in portrait and landscape orientation.

These instructions are addressed at qualified technical personnel.

You can download the latest version of this manual from [www.esdec.com](http://www.esdec.com).

### OTHER RELEVANT DOCUMENTS

When installing the ClickFit EVO mounting system, you will need the following documents:

- The project plan, which you can create in the calculator at <https://www.esdec.com/en/calculator>.
- The installation manuals for the solar panels, inverters and any other components.

During the installation of the mounting system, it is important to adhere to the installation manual, the installation manual of the components, and the accompanying standards to prevent accidents. Pay special attention to (local) standards, regulations and legislation (among others):




### EARTHING AND BONDING

Our ClickFit EVO systems are VDE certified for corrosion and bonding. According to the electrical standard HD-IEC 60364 – chapter 712, functional bonding for inverter's isolation check is necessary.

In the Esdec ClickFit EVO Series functional bonding is achieved through the EVO universal module clamp for the module frames and EVO rails. The final functional bonding connection is made by proper mounting of a separate bonding cable onto the EVO rail and an adequate bonding connection with the inverter or earthing contact.

For detailed instructions on grounding and bonding, consult the electrical standard HD-IEC 60364 and any local regulations. Please, follow the instructions of the inverter's manual. This operation needs to be done by a certified electrician.

### SYMBOLS USED IN THIS MANUAL

	<b>Warning!</b>	Failure to follow this instruction could result in serious injury or major damage to the product.
	<b>Caution!</b>	Failure to follow this instruction could result in personal injury or damage to the product.
	<b>Note</b>	Emphasises an instruction.

## WARRANTY AND LIABILITY

### WARRANTY

Esdec extends a 20 year product warranty. The warranty is subject to the warranty terms and general terms & conditions of Esdec BV. These can be found on the [www.esdec.com](http://www.esdec.com) website.

### LIABILITY

The manufacturer accepts no liability for damage or injury caused by the failure to comply (strictly) with the safety guidelines and instructions in this manual, or by negligence during installation of the product and the accessories listed in this document.

Esdec BV reserves the right to change this document without notice.

## PRODUCT INFORMATION

### INTENDED USE

The ClickFit EVO mounting system is designed for mounting solar panels on pitched standing seam roofs. With this mounting system, solar panels can be positioned on the roof either with the short side at the bottom (portrait) or with the long side at the bottom (landscape).

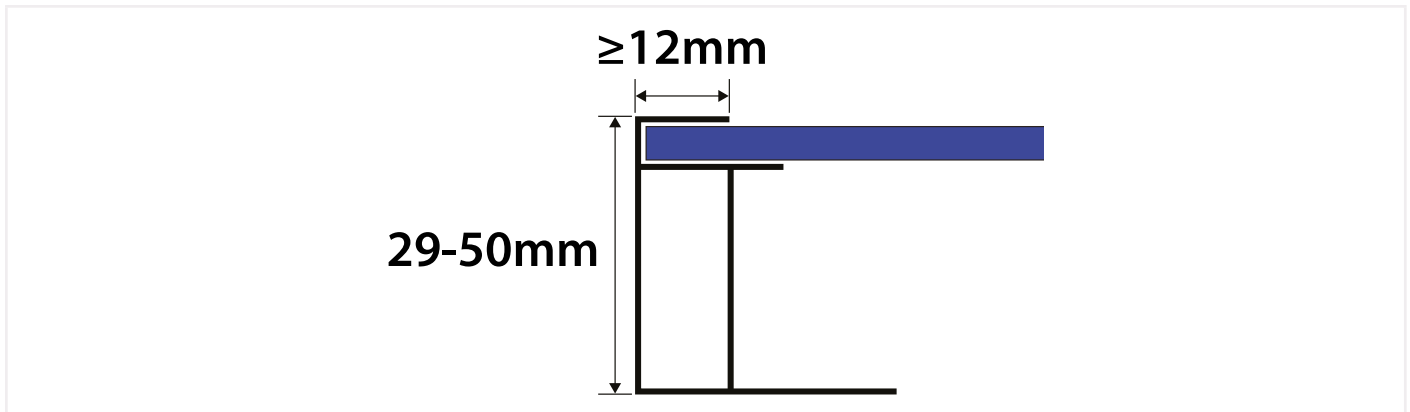
### IMPROPER USE

The mounting system is not suitable for use on types of roof other than the one specified.

### COMPATIBLE SOLAR PANEL FLANGE DIMENSIONS

The universal module clamp is suitable for solar panels with a frame height between 29-50mm and a frame width of at least 12mm, where a sufficient clamping force can be applied.

Check the documentation of the solar panel supplier if the intended solar panel can withstand the loads and clamping force.



### SPECIFICATIONS

<b>Orientation of solar panels</b>	Portrait and landscape	
<b>Maximum area of solar panels</b>	3.92m <sup>2</sup>	
<b>Maximum field size</b>	Horizontal rails: 6.15m per segment	Vertical rails: 15m per segment
<b>Rail protrusion range</b>	90-350mm	
<b>Roof type</b>	Pitched roof with seams, except copper roofs	
<b>Roof pitch</b>	5-60° <b>!</b> At an inclination angle of <10°, the self-cleaning effect of the panel is affected.	
<b>Maximum roof height</b>	<b>i</b> Subject to Eurocode guidelines and national additions. Use the calculator to calculate the possibilities of your project.	
<b>Edge zone</b>	30cm distance to the ridge, 30cm to the side of the roof and 30 cm to the gutter.	

<sup>1)</sup> Ensure that the module frame is compatible with the ClickFit EVO clamps before installation.

<sup>2)</sup> Always consider the right measures related to fire spread and compartmentalization. This might influence the modules segment size.

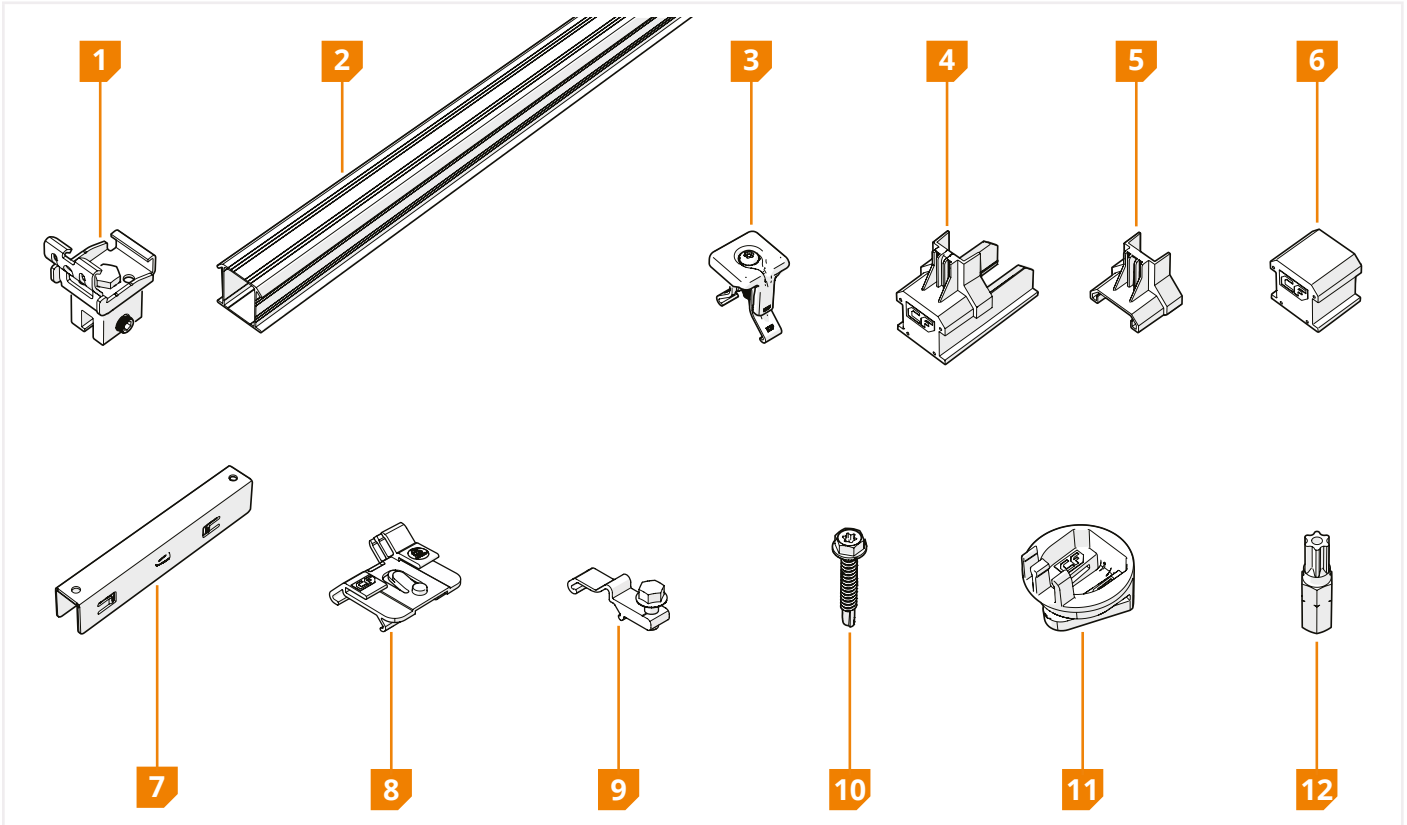
**!** Enter the data in the calculator, so you are sure of choosing the right system for the terrain category, snow loads and wind zone that applies to your project.

**i** Depending on the roof and the result obtained from the calculator, you can lay several segments with solar panels next to each other. Always leave a minimum of 12mm of space between segments to allow for expansion of the roof.

**i** If your project has different specifications than these, please contact Esdec.

# SYSTEM AND APPLICATION

## 1 COMPONENTS

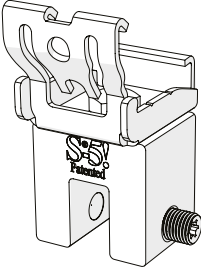
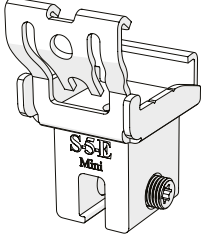
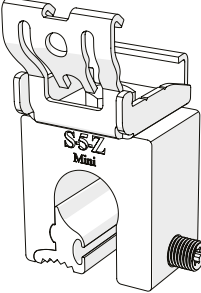
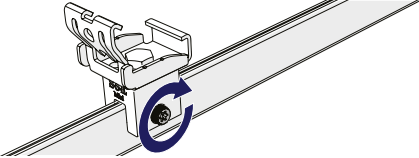
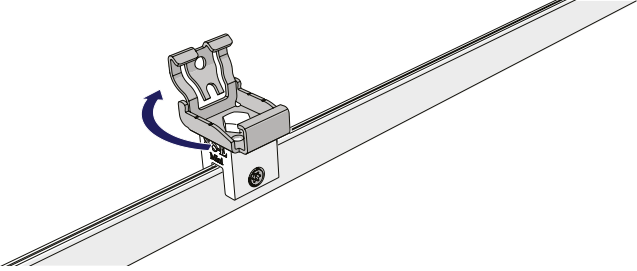


COMPONENT	ARTICLE NUMBER
1 ClickFit EVO Seam Clamp	100803_
2 ClickFit EVO Mounting Rail	10081_
3 ClickFit EVO Module Clamp	1008020(-B)
4 ClickFit EVO 35 Mounting Rail End Cap	1008060(-B)
5 ClickFit EVO 35 End Clamp Support	1008065(-B)
6 ClickFit EVO End Cap without end clamp support	1008066(-B)

ACCESSORY	ARTICLE NUMBER
7 ClickFit EVO Mounting Rail Coupler	1008061
8 ClickFit EVO MLPE Clip Light Weight	1008067
9 ClickFit EVO MLPE Clip Heavy Weight	1008068
10 ClickFit EVO Self-drilling screw 6,3x42mm SW10/T30	1003016
11 ClickFit EVO mounting set	1008064
12 ClickFit EVO Screw Bit Torx 30	1008069

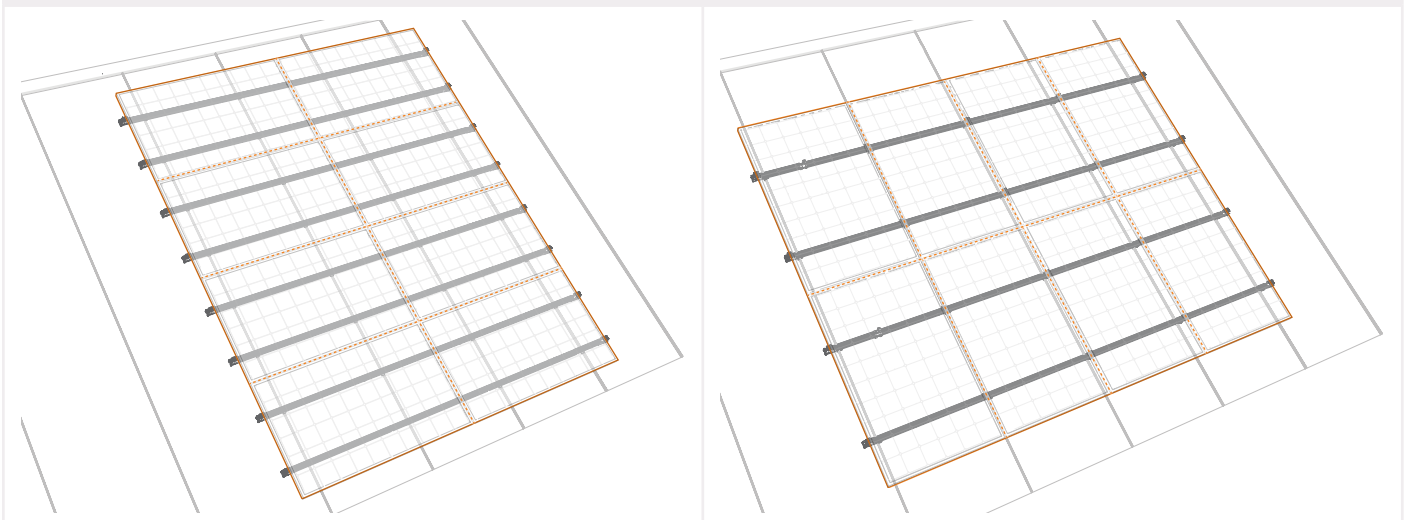
**i** Check that the correct components are present in the required numbers according to the project plan generated by the calculator.

## SEAM CLAMP

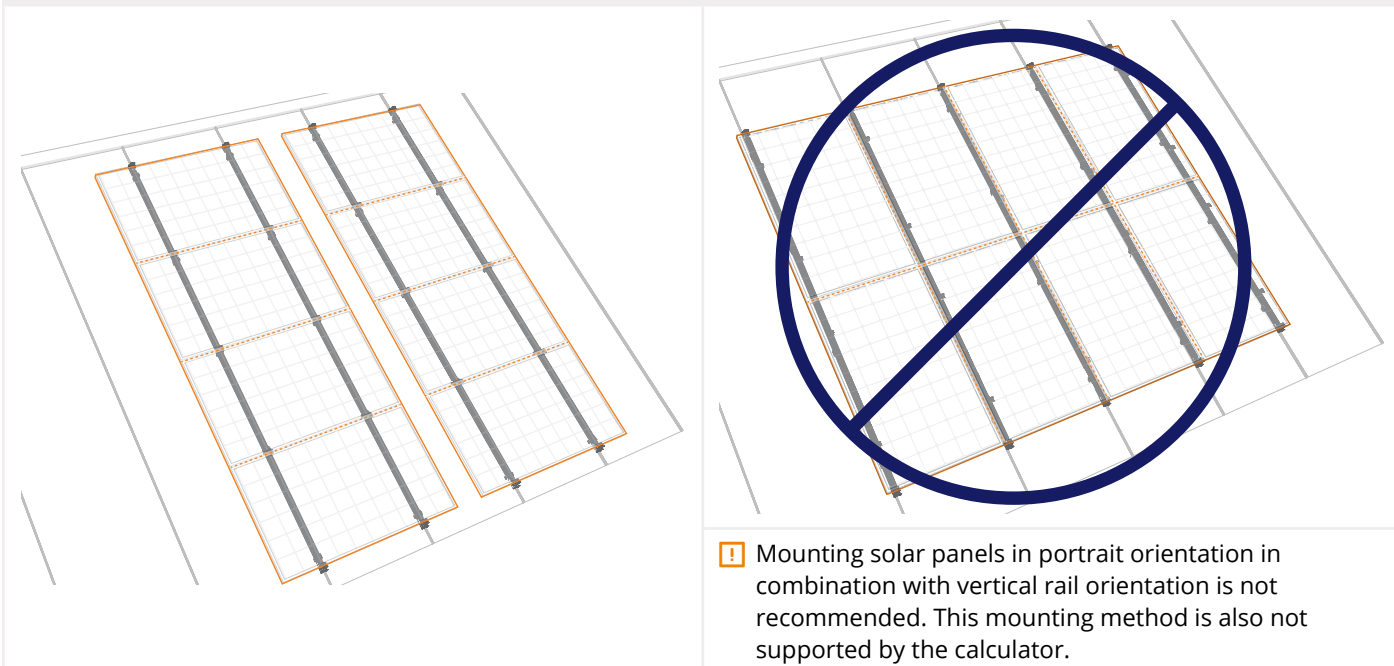
			
<b>Article number</b>	1008035	1008033	1008031
<b>Suitable for</b>	Single-folded standing seam roof Snap seam roof	Double-folded standing seam roof	Round standing seam roof
<b>Seam opening</b>	14mm	9mm	ø23mm
			
<b>Fixing</b>	Directly on the seam		
			
<b>Click connection</b>	Rotatable for horizontal and vertical mounting of rails		

**i** Use the calculator to determine the correct rail orientation for your project. The calculator takes into account, for example, the type of roof covering and the structure supporting the roof.

## HORIZONTAL RAIL ORIENTATION



## VERTICAL RAIL ORIENTATION



## SAFETY

### 1 PERSONAL PROTECTIVE EQUIPMENT

Hearing protection	Safety helmet	Safety glasses	Face masks	Safety gloves	Safety clothing	Safety shoes

### 2 SAFETY WARNINGS AND REGULATIONS

#### Warning!

- ⚠ Installation work should always be carried out by at least two skilled people.
- ⚠ Do not use components from other mounting systems.
- ⚠ Do not leave out parts.
- ⚠ Always work according to the current regulations for working on roofs.
- ⚠ Do not perform the installation in strong winds, or when the roof is slippery or wet.
- ⚠ Always work on the roof with fall protection and, if necessary, with safety nets and edge protection.
- ⚠ Never stand on or in the gutter.
- ⚠ Make sure that an aerial platform or ladder does not rest on the seams.
- ⚠ Always use a lifting aid or hoisting device when moving heavy equipment.
- ⚠ Always place ladders on a strong, stable surface.



#### Caution!

- ⚠ Walk as little as possible on the roof. Use an aerial platform, ladder or other solution.
- ⚠ Never walk on the system or on the solar panels.



# INSTALLATION

## 1 PREPARATION

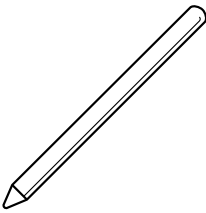
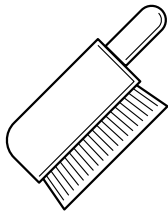
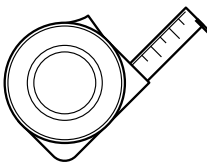
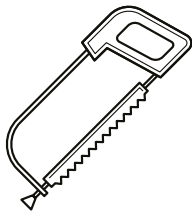
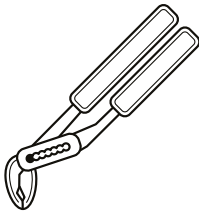
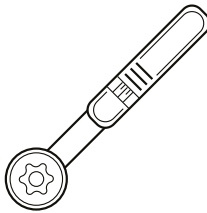
### 1 INSPECT THE ROOF.

-  The roof is in good condition.
-  The roof construction has sufficient bearing capacity to support the installation, taking into account wind and snow loads.


### 2 CHECK THE PROJECT PLAN AND COMPONENTS.

-  Check the project plan. Is there no project plan? Then create one in the online calculator before starting installation.
-  Check that all components are present (page 5).

### 3 MAKE SURE ALL THE REQUIRED TOOLS ARE AT HAND.

					
Marker or chalk	Brush	Tape measure	Hacksaw	Water pump pliers	Torque wrench up to 20Nm with TR30 safety bit

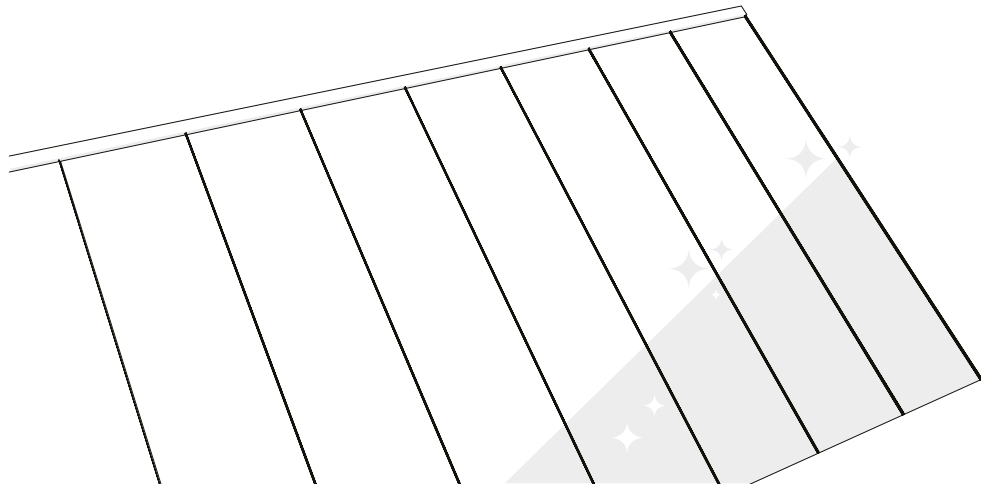
### TIGHTENING TORQUES

-  Always use a torque wrench. Make sure that the bit is correctly and completely inserted in the screw head when tightening, in view of the high tightening torque.






Screw	Tightening torque
ClickFit EVO Module Clamp	4.5 Nm
Mounting screw for vertical rail	1 Nm
Tightening torque for steel standing seam roofs with material thickness > 0.7mm	18-20 Nm
ClickFit EVO MLPE Clip Heavy Weight	8-12 Nm

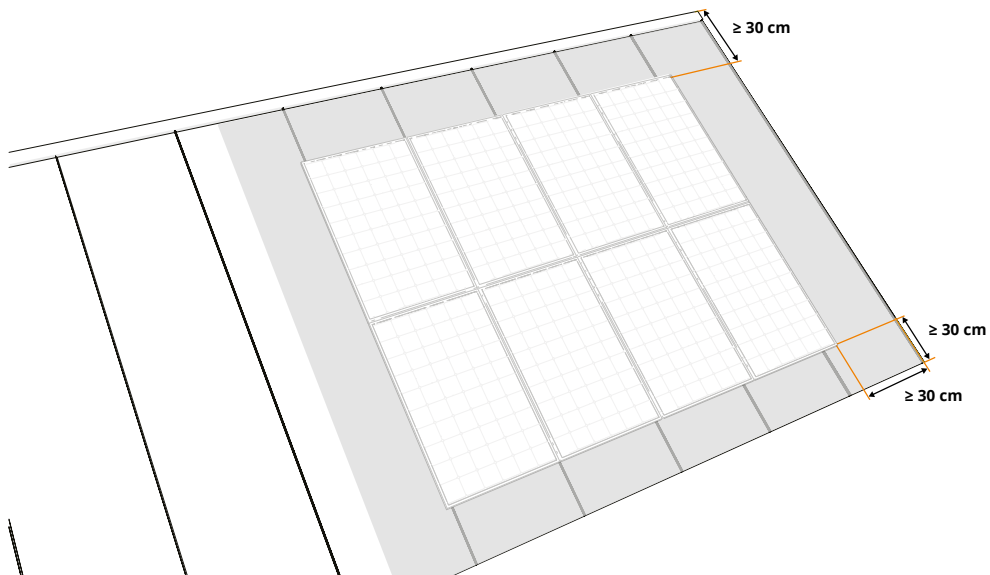


#### 4 CLEAN THE ROOF SEAMS



#### 5 DETERMINE THE POSITION OF THE SOLAR PANELS ON THE ROOF

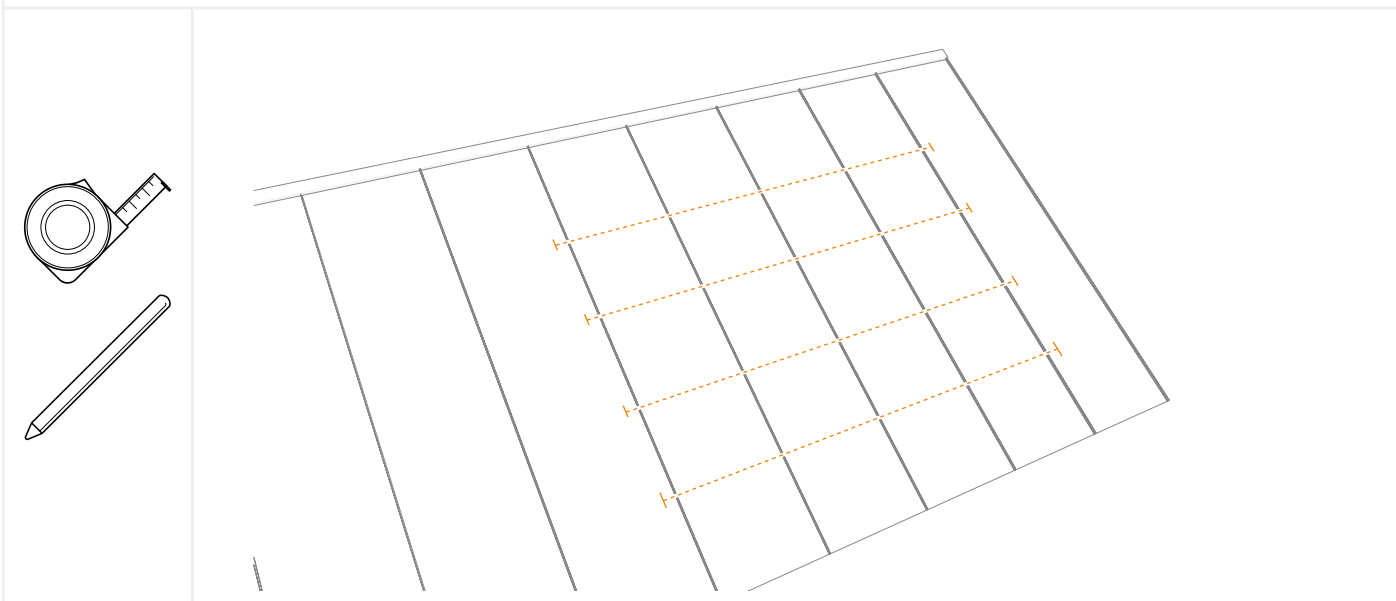
-  Consider the (local) fire regulations for photovoltaic installations. To mitigate the risk of fire spread, the fire compartments of the object must be respected. The PV system should not be placed over fire partition walls and a minimum distance of 30 cm must be kept. Likewise, it is wise to keep space in relation to skylights, lighting globes, corners and potential fire hazards.
-  Develop a project plan using the ESDEC calculator and adhere to its guidelines. Access the calculator at [calculator.eu.esdec.com](https://calculator.eu.esdec.com).
-  The distance from the edge of solar panels to both the ridge and the gutter must be at least 30cm.
-  The distance from the solar panels to the side of the roof must be at least 30cm.
-  Take into account sunlight and shade over the whole year. If necessary, use a power optimizer or micro inverter to get the most out of your installation.



## 6 DRAW THE LINES AND END POINTS FOR THE MOUNTING RAILS

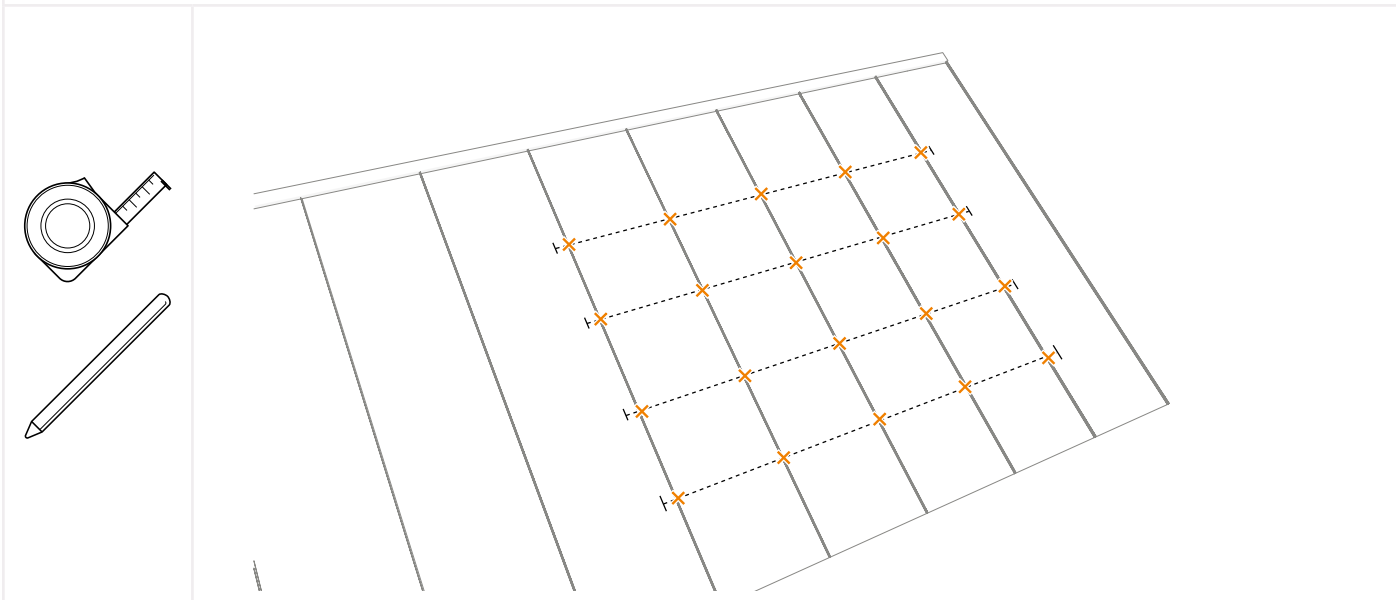
- i** Consult the project plan to determine the position of the mounting rails for your panel.
- i** For pitched roofs, we recommend a horizontal mounting. This is more durable and often creates a neater finish.
- i** Rail lengths can be found in the project plan.

For mounting in landscape orientation, the mounting rails should be placed at around  $\frac{1}{4}$  of the short sides of the panel.  
For mounting in portrait orientation, the mounting rails should be placed at around  $\frac{1}{4}$  of the long sides of the panel.



## 7 MARK THE POSITION OF THE SEAM CLAMPS

- i** If you can see the position of the standing seam clips, mount the seam clamps at least 50mm away.
- i** Consult the project plan to determine the position of the seam clamps for your project.

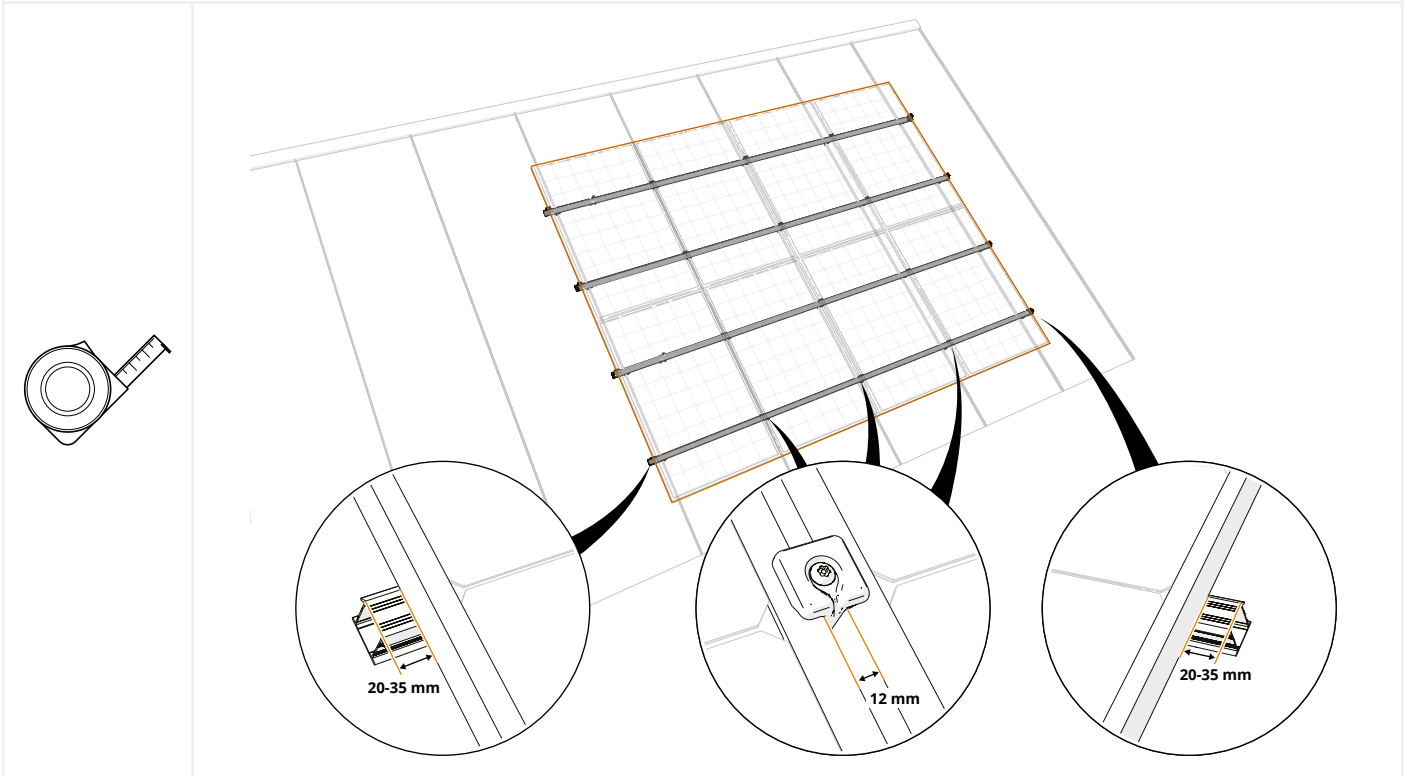


## 2

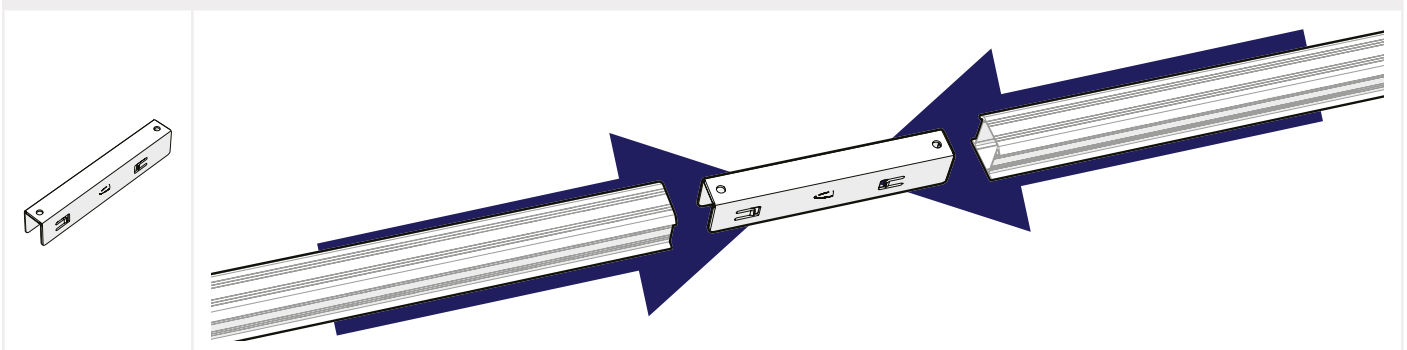
## PREPARING AND SIZING MOUNTING RAILS

- 1 CONSULT THE PROJECT PLAN FOR THE OVERALL LAYOUT OF THE SOLAR PANEL SEGMENTS.
- 2 CALCULATE THE FULL LENGTH OF THE SOLAR PANEL LAYOUT, ACCOUNTING FOR GAPS AND/OR SPACING.
- 3 CALCULATE THE NECESSARY MOUNTING RAIL EXTENSIONS AND ADJUSTMENTS.

**i** Measure the solar panels and add 12mm between each solar panel for the universal module clamp (20mm for the ClickFit EVO 60mm clamp). Add 20-35mm on each side for mounting the end clamp and end cap (50-70mm for the ClickFit EVO 60mm clamp).



- 4 USE COUPLERS TO CONNECT THE MOUNTING RAILS, IF NECESSARY

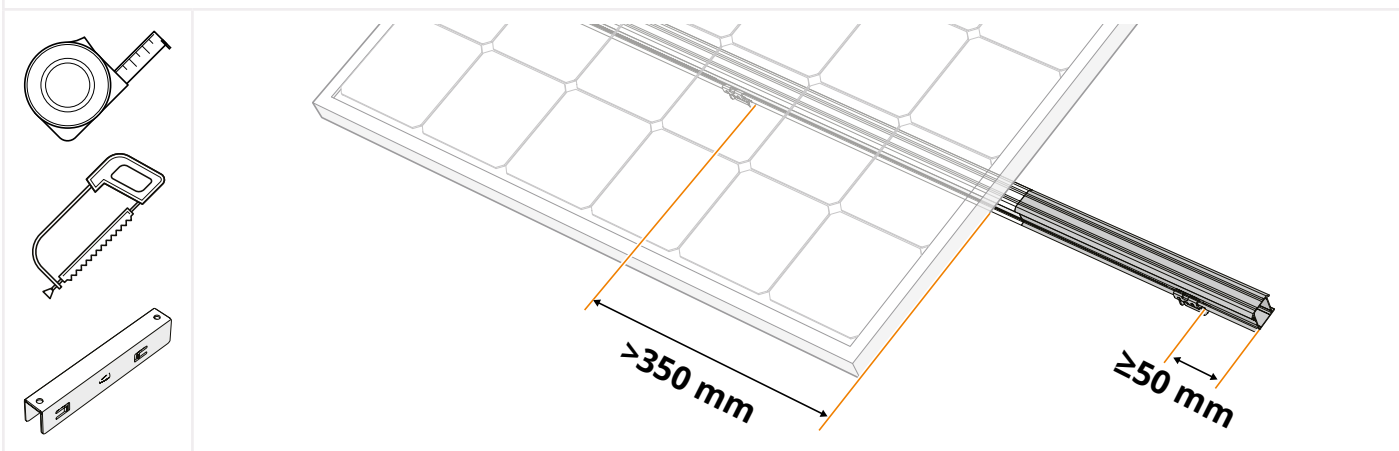


**5 IF THE OVERHANG IS GREATER THAN 250MM: EXTEND THE MOUNTING RAIL TO THE NEXT FLANGE.**

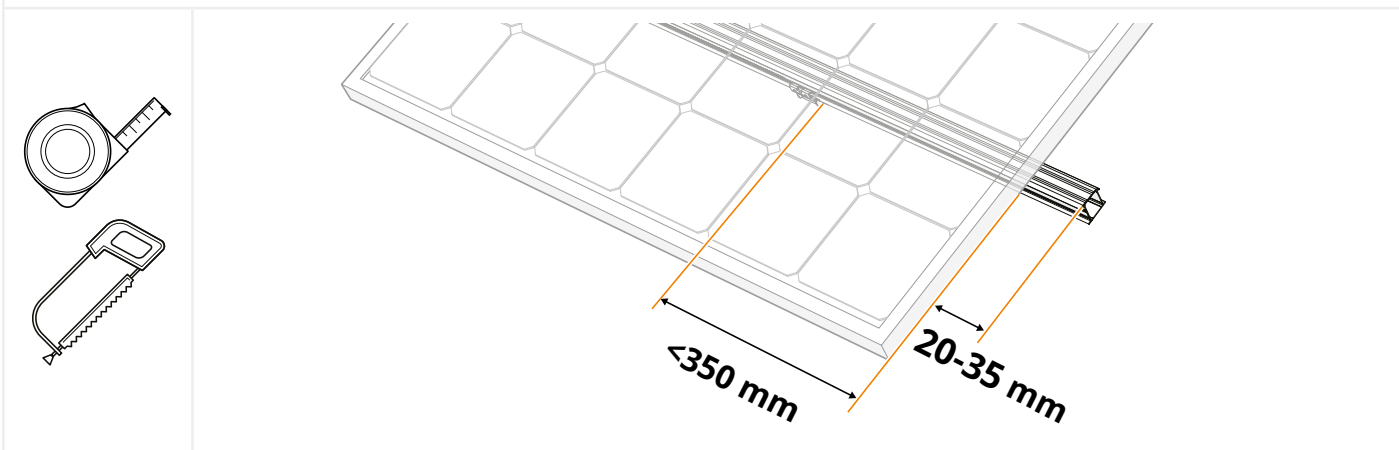
**6 CUT THE MOUNTING RAILS TO SIZE.**

a. If the calculated overhang of the solar panel is **more** than 250mm beyond the marked position of the last flange clamp, mark the position of an extra flange clamp on the nearest flange. Extend the mounting rail to 50mm beyond the extra flange clamp.

**i** The additional 50 mm extension allows for proper fitting of an end cap (art. no. 1008066(-B)) to the mounting rails.

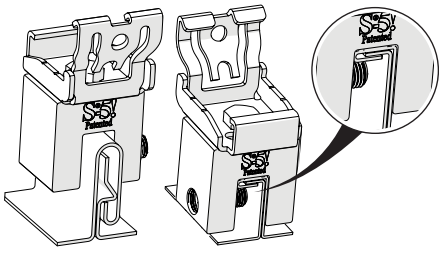


b. If the calculated overhang is less than 250mm beyond the marked position of the last seam clamp, keep 20-35mm rail length overhang for mounting the end cap (art. no. ) (>40mm for the ClickFit EVO 60mm clamp).

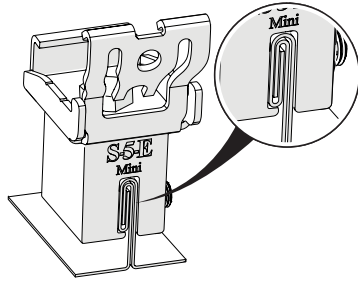


### 3 FIXING THE SEAM CLAMPS

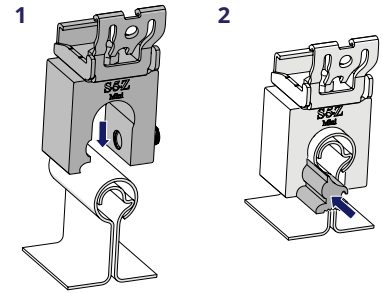
#### 1 PLACE THE CLAMP ON THE SEAM



1008035



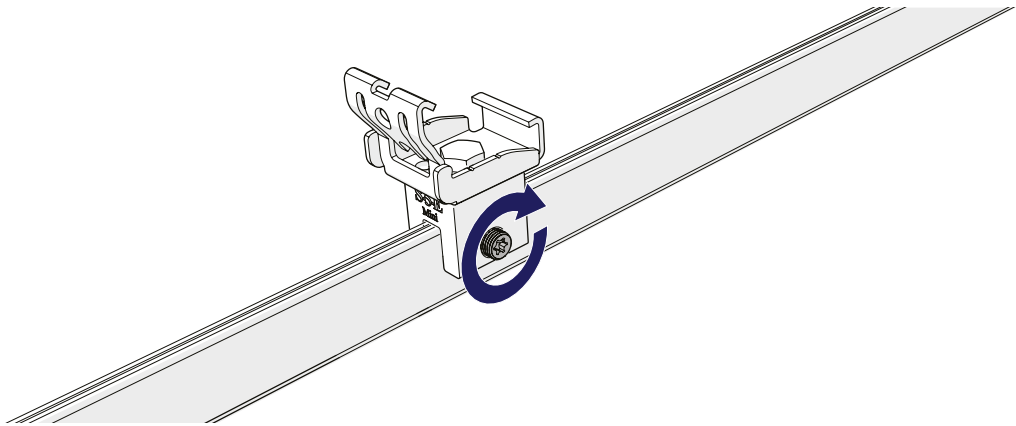
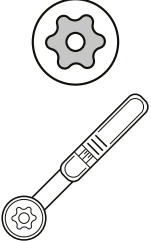
1008033



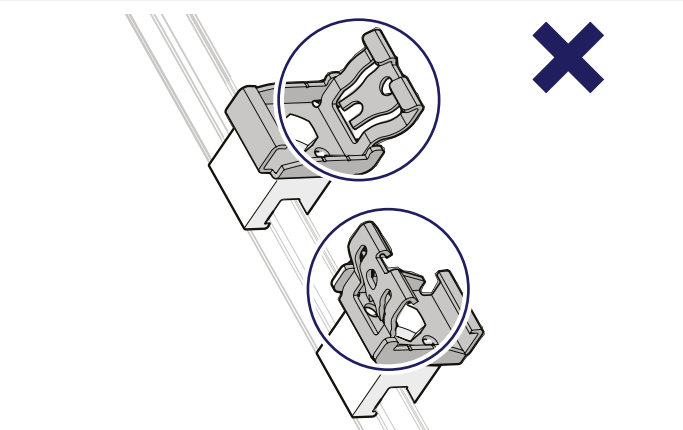
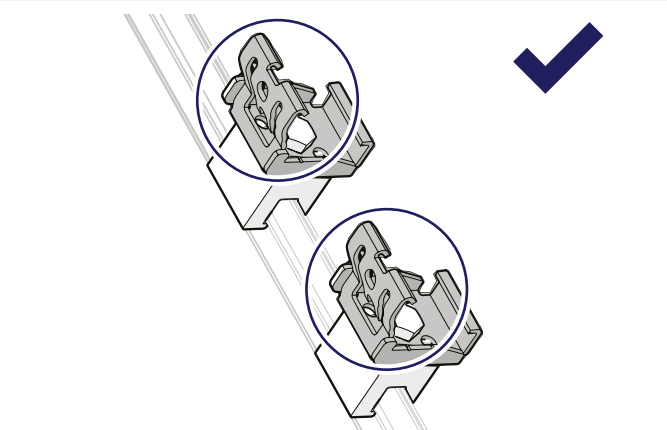
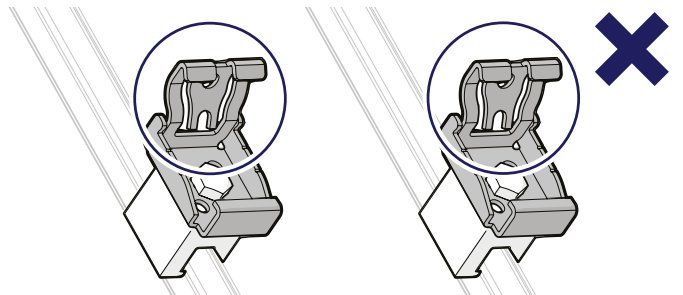
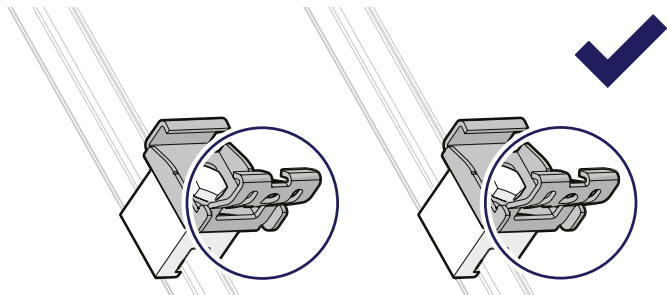
1008031

#### 2 TIGHTEN THE SCREW

TR30

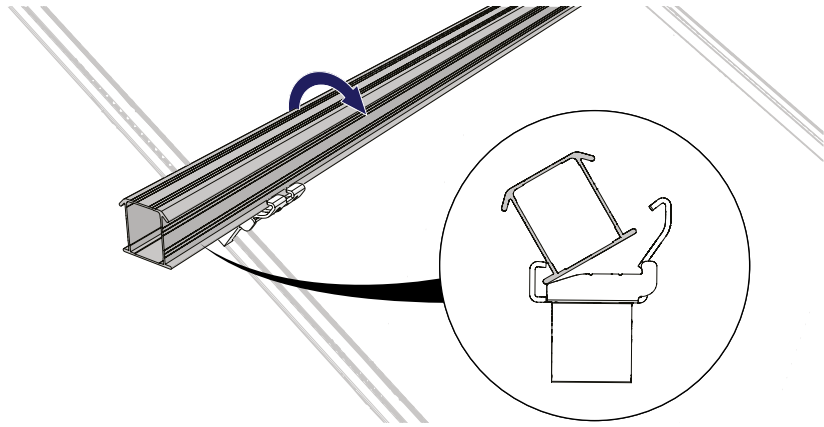


#### 3 ROTATE THE CLICK CONNECTION INTO THE CORRECT ORIENTATION

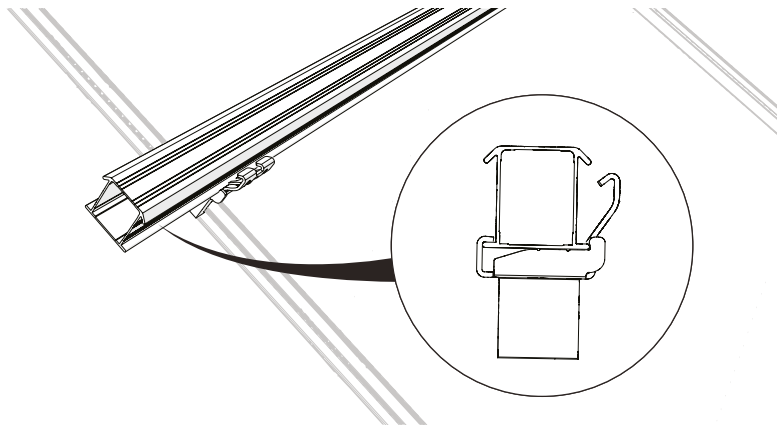


## 4 ATTACHING THE MOUNTING RAILS

### 1 PLACE THE MOUNTING RAIL INTO THE CLICK CONNECTION AND ALIGN THEM

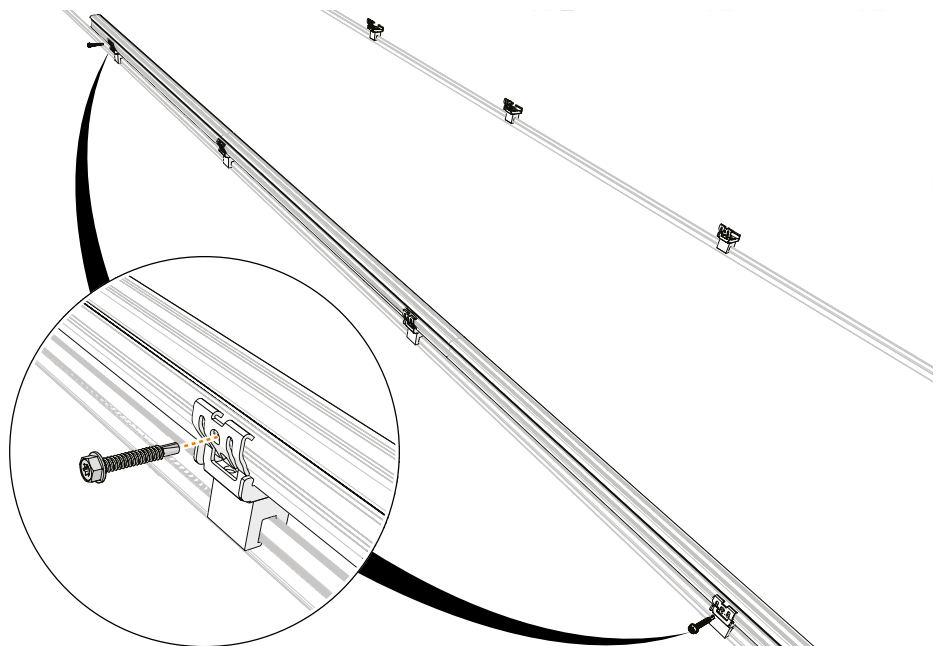


### 2 CLICK IN THE MOUNTING RAILS



### 3 FOR VERTICAL MOUNTING: SECURE THE MOUNTING RAILS TO THE CLICK CONNECTIONS

- i** First secure the bottom click connection with a self-drilling screw. Skip two click connections and then screw down the fourth click connection. Repeat until the top click connection.

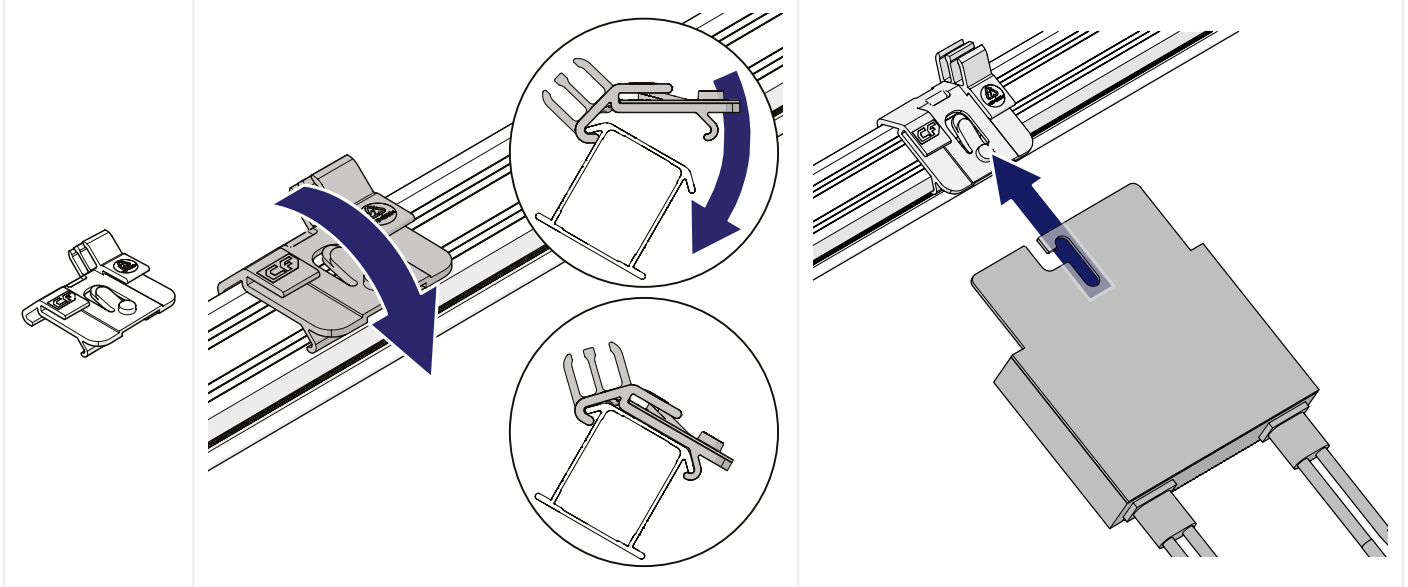


## 5 OPTIONAL: ATTACHING THE MLPE CLIPS

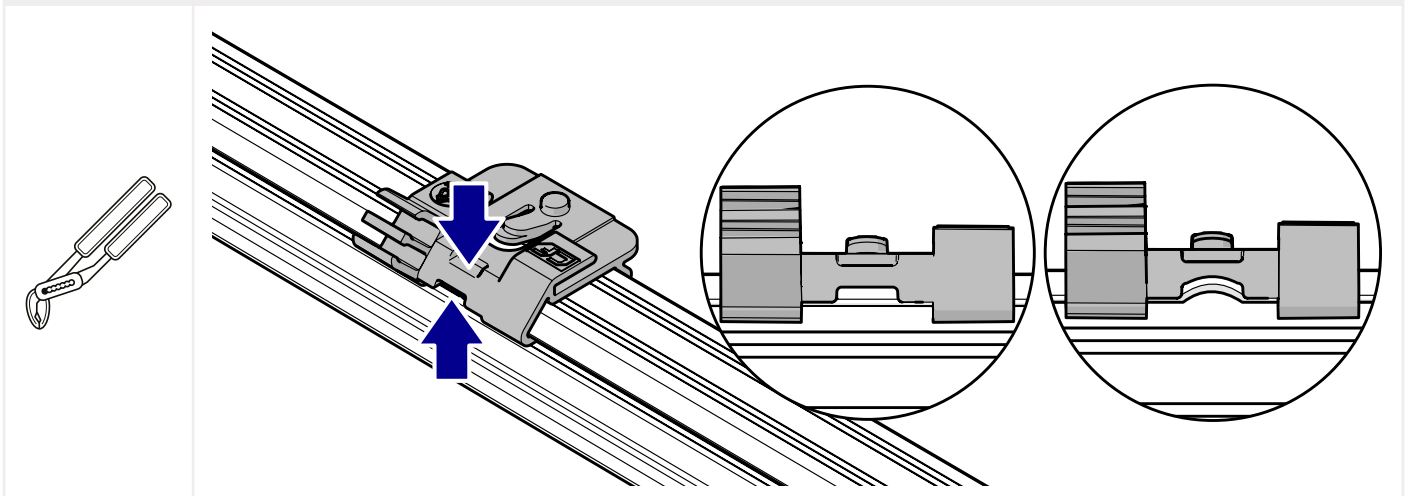
### CLICKFIT EVO MLPE CLIP LIGHT WEIGHT

- 1 CLICK THE LIGHT WEIGHT MLPE CLIP ONTO THE RAIL
- 2 CLICK THE OPTIMISER ON THE LIGHT WEIGHT MLPE CLIP

**i** Use one MLPE clip per solar panel.



**i** With vertical rail orientation you have to fix the MLPE clip by bending the edge of the mounting rail with adjustable pliers.



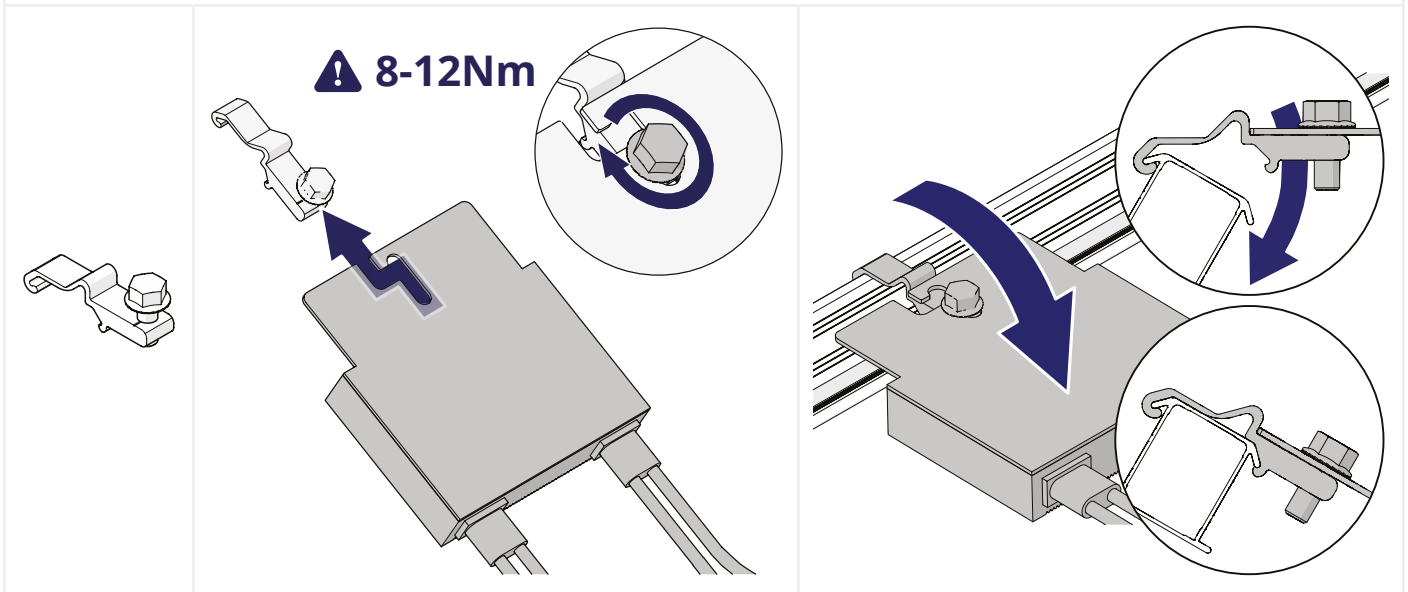
## CLICKFIT EVO MLPE CLIP HEAVY WEIGHT

**1 ATTACH THE OPTIMISER TO THE HEAVY WEIGHT MLPE CLIP**

**2 CLICK THE HEAVY WEIGHT MLPE CLIP ONTO THE RAIL**

**i** For larger optimizers (equipped with 2 slots), it is essential to use two Heavy Weight MLPE clips.

**i** With vertical rail orientation you have to fix the cable clip by bending the edge of the mounting rail with adjustable pliers.

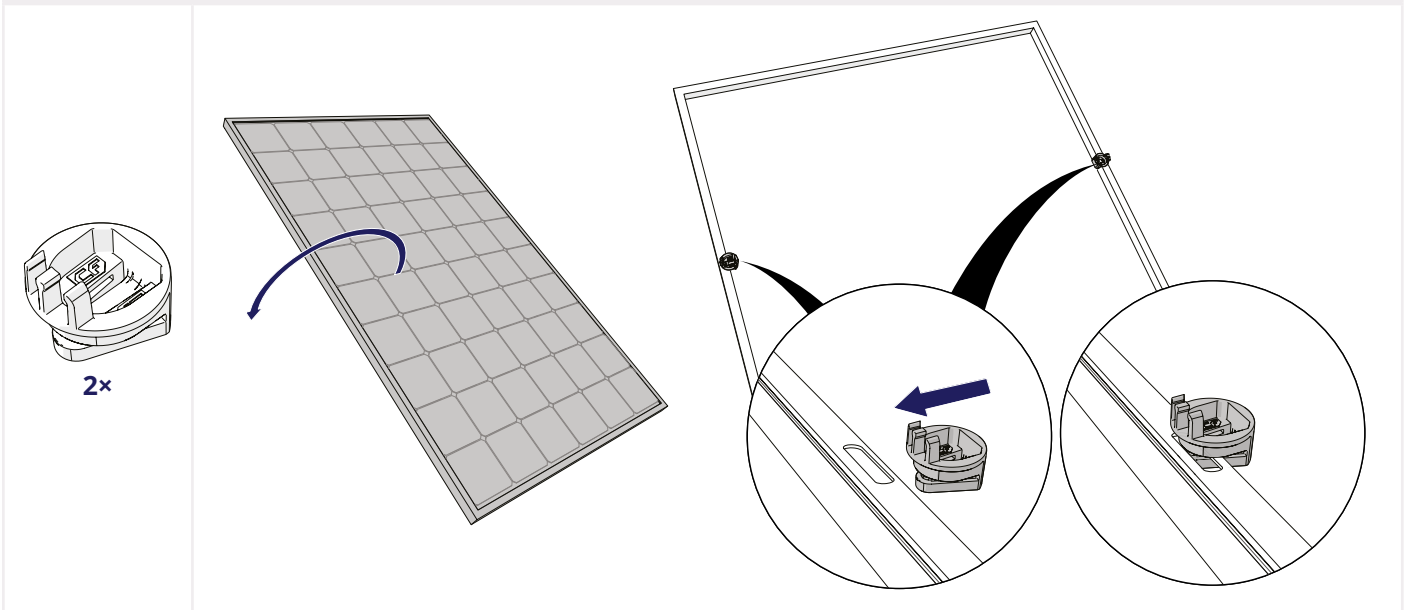




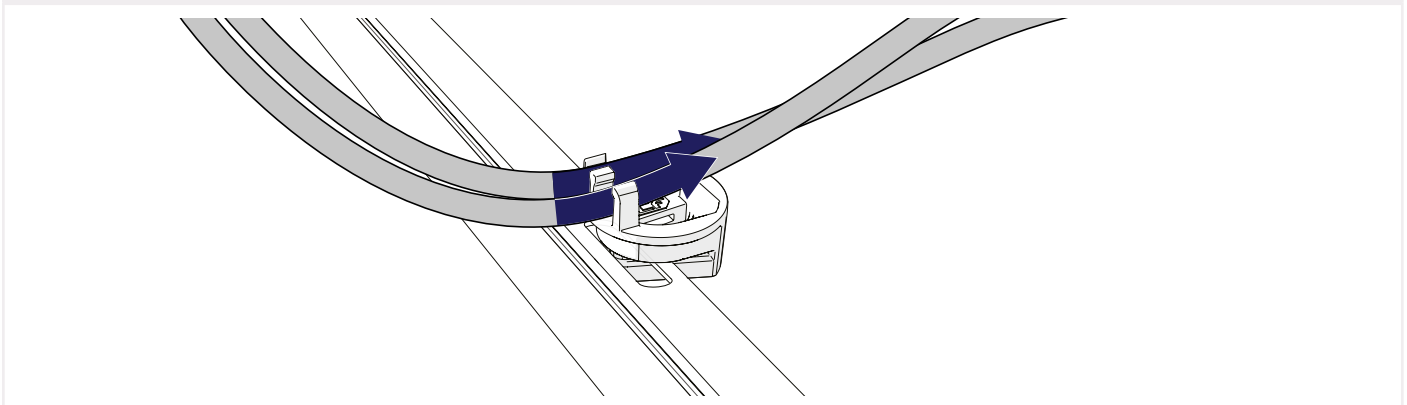
# 6

## MOUNTING THE FIRST PANEL

1 OPTIONAL: CLICK THE AUXILIARY SET ON THE PANEL.



2 OPTIONAL: CLICK THE CABLES OF THE PANEL FIRMLY INTO THE CABLE CLAMP.



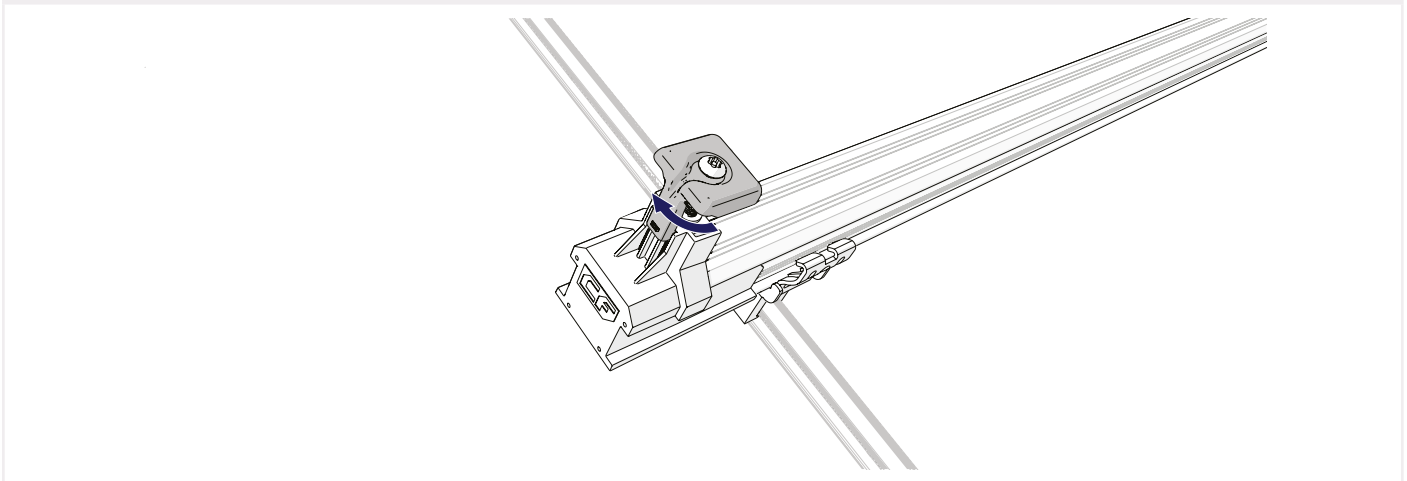
3 CLICK THE UNIVERSAL MODULE CLAMP ON THE RAILS.



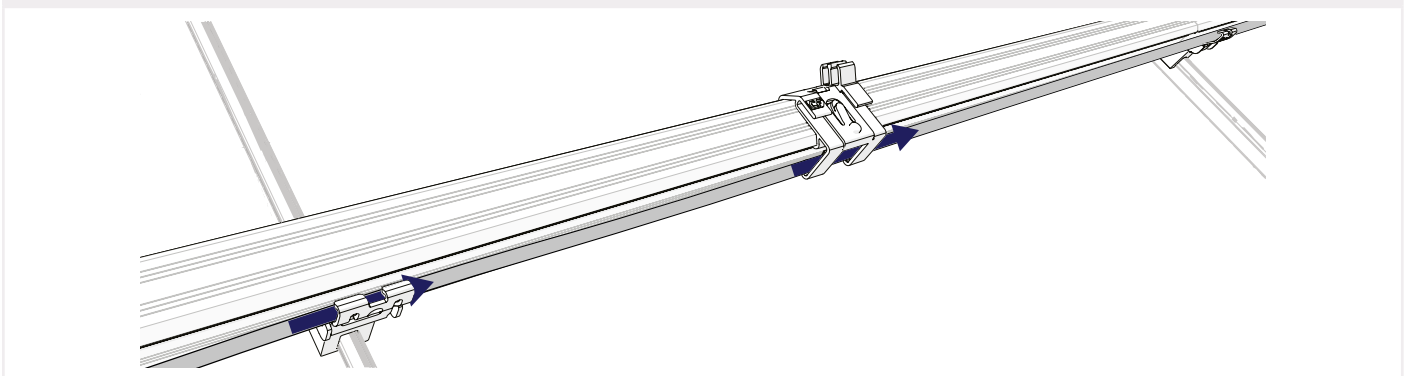
**4 SLIDE THE END CAPS ONTO THE RAILS.**



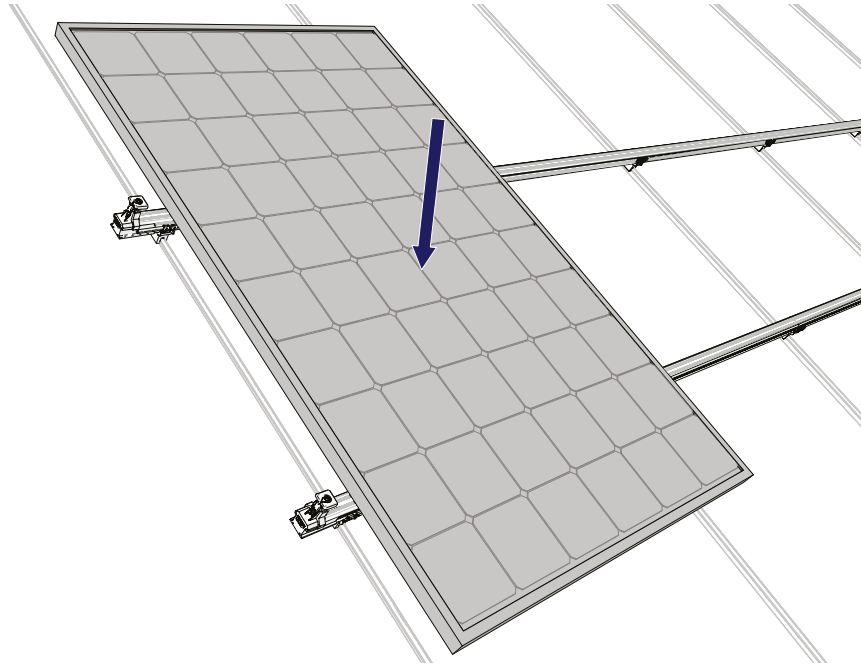
**5 ROTATE THE UPPER PART OF THE MODULE CLAMP OVER THE END CAP.**



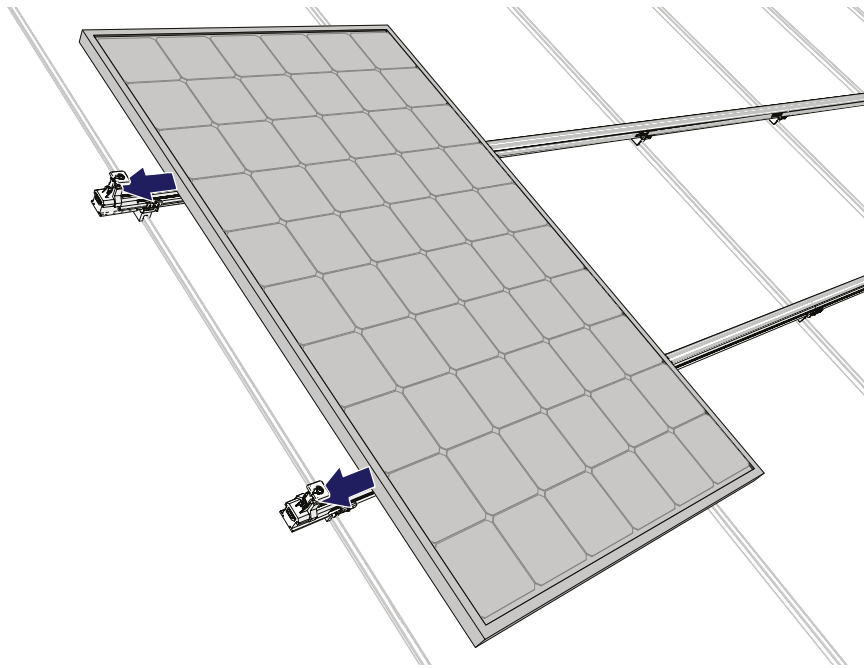
**6 OPTIONAL: GUIDE THE CABLES OF THE SOLAR PANEL THROUGH THE CLICK CONNECTIONS.**



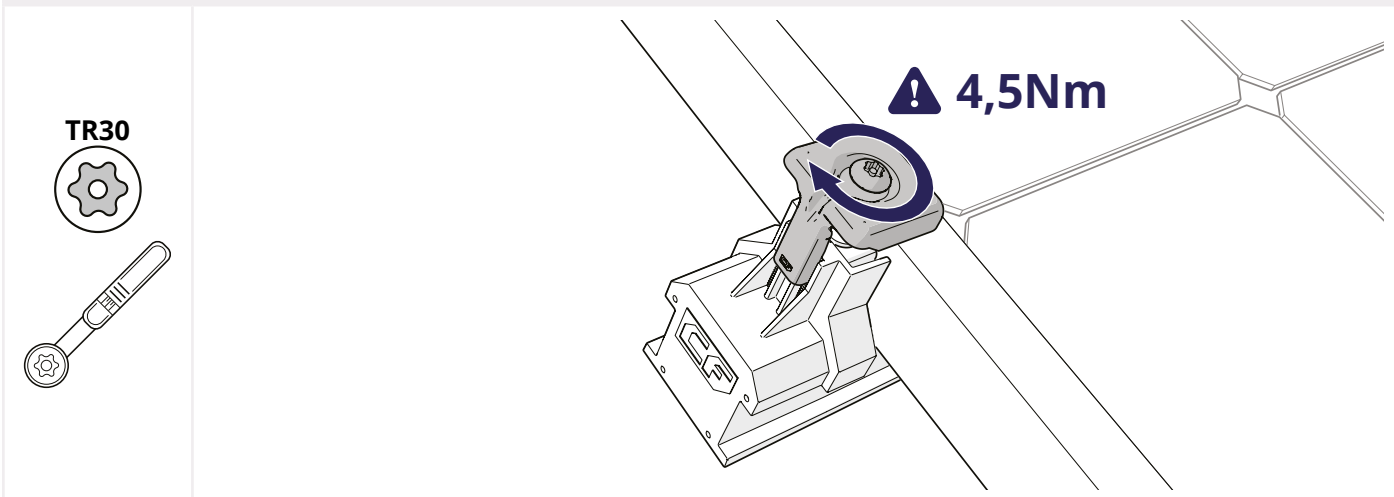
**7 PLACE THE PANEL ON THE RAILS.**



**8 SLIDE THE PANEL AGAINST THE CLAMPS.**

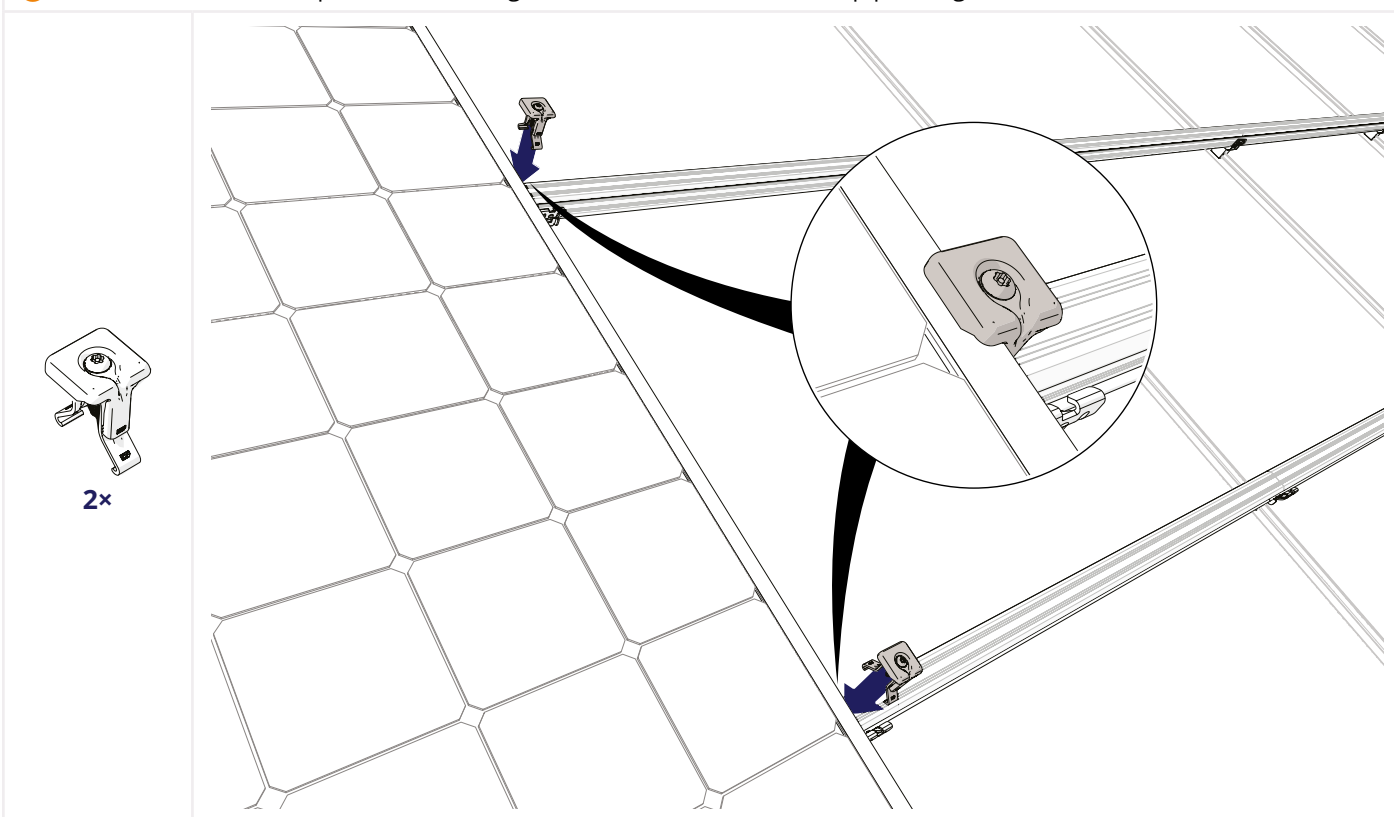


**9 SCREW THE CLAMPS ONTO THE PANEL. APPLY A TORQUE OF 4.5 NM.**



**10 CLICK THE UNIVERSAL MODULE CLAMP ON THE RAILS.**

**i** Install the module clamp with the drainage channel of the module clamp pointing downwards.

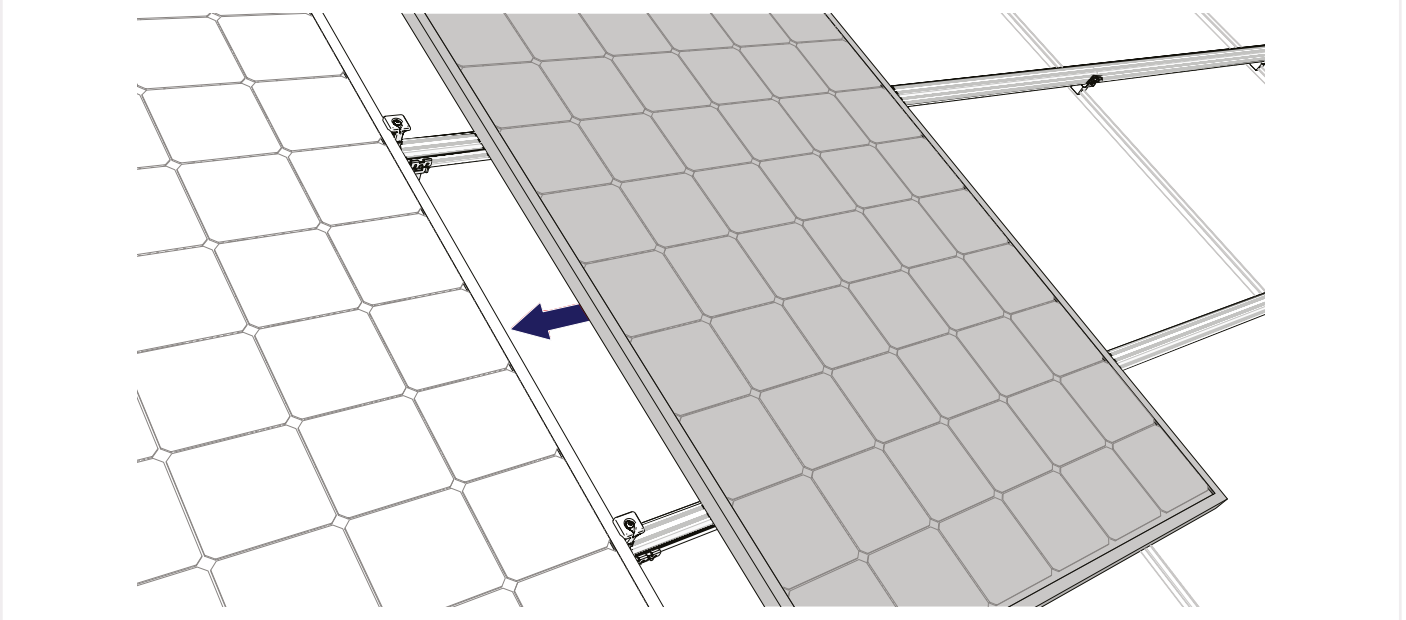
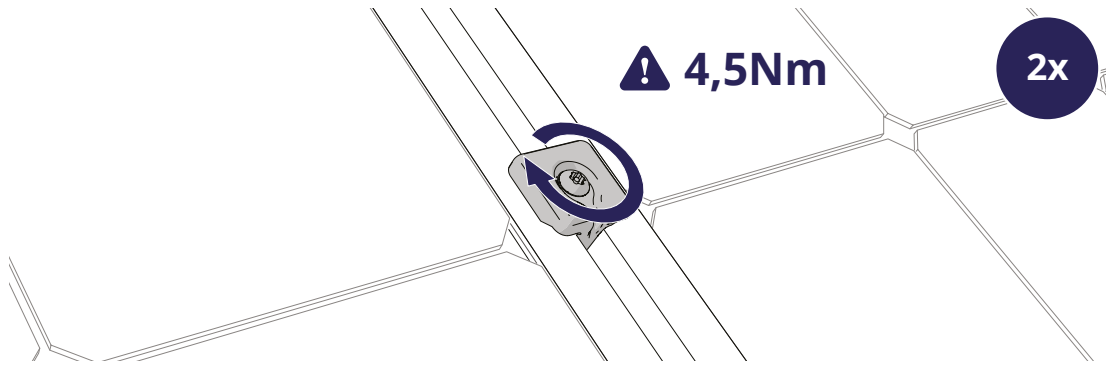





**7****MOUNTING THE FOLLOWING PANELS**

Optional: Repeat steps 1.1. and 1.2.: Click the Auxiliary set on the panel and Click the cables of the panel firmly into the cable clamp.





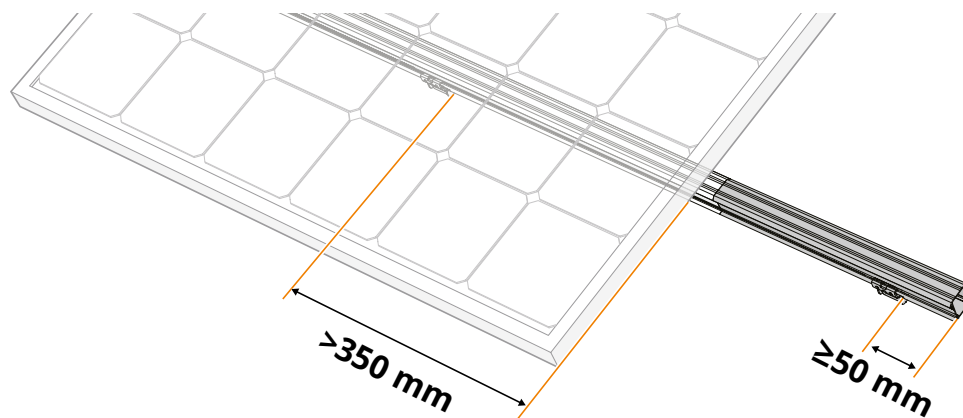
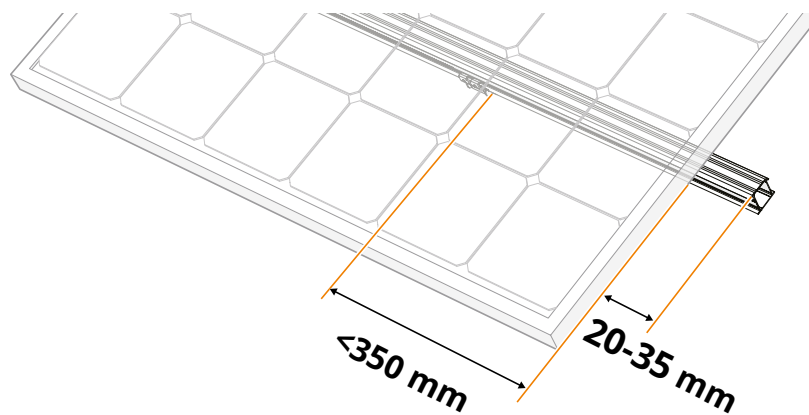
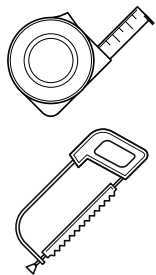
Repeat step 1.7. Place the panel on the rails.

**11 SLIDE THE PANEL AGAINST THE CLAMPS.****12 SCREW THE CLAMPS ONTO THE PANEL. APPLY A TORQUE OF 4.5 NM.****TR30****⚠ 4,5Nm****2x**

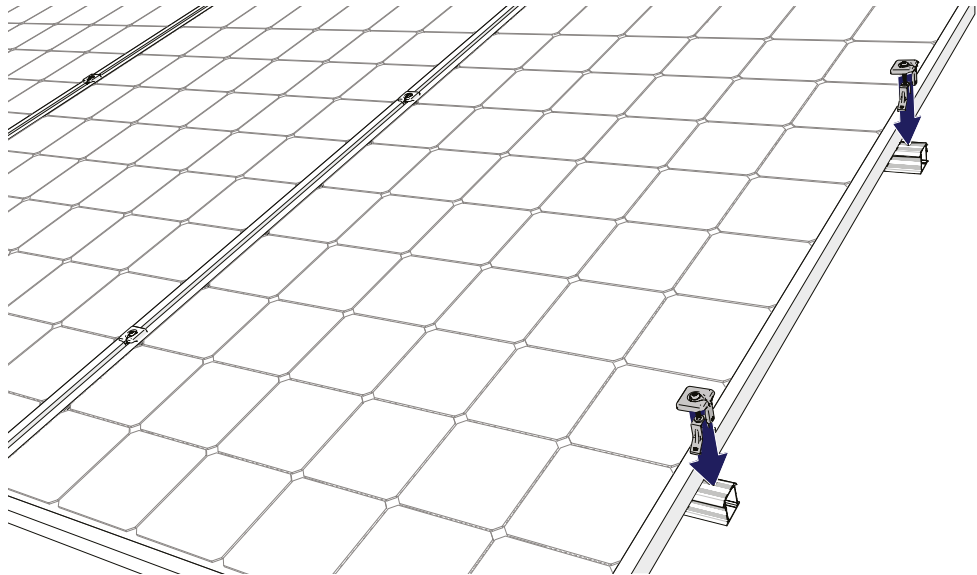
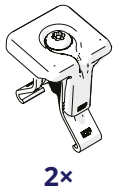
-  Optional: Repeat steps 1.1. and 1.2.: Click the Auxiliary set on the panel and Click the cables of the panel firmly into the cable clamp.
-  Repeat step 2.7. Place the panel on the rails.
-  Repeat step 2.11. Slide the panel against the clamps.

### 1 OPTIONAL: SAW THE MOUNTING RAILS TO SIZE

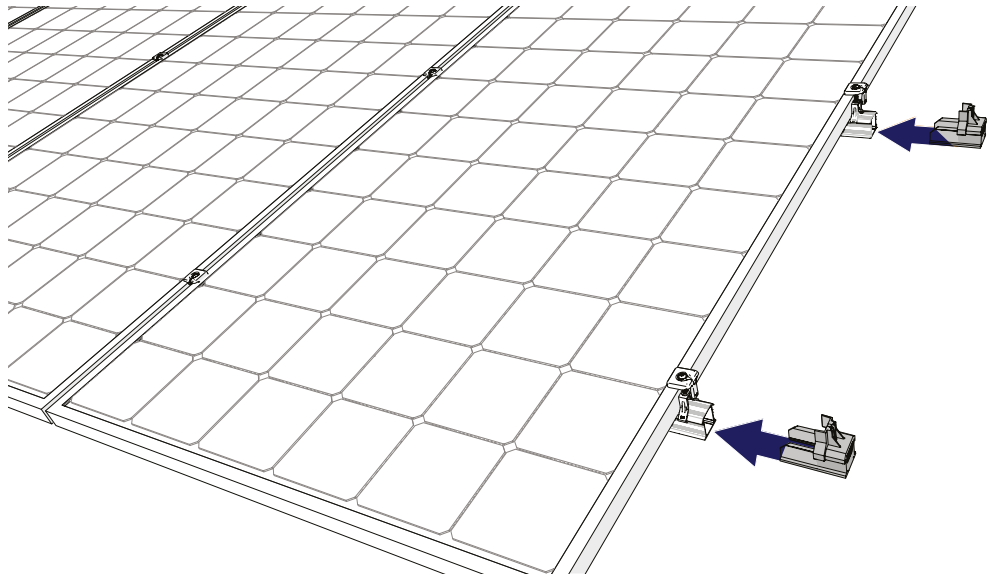
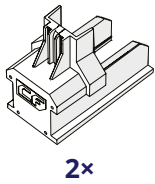
-  If the overhang is smaller than 250 mm, keep a minimum of 20 mm to a maximum of 35 mm rail length overhang for mounting the end cap (art. no.1008060(-B)).
-  If the outer panel edge is more than 250 mm outside the first/last seam, extend the mounting rail to 50 mm beyond the previous/next seam and provide a seam clamp here for attachment. The extra 50 mm facilitates sufficient length to accommodate the mounting rails of the end cap (art. no. 1008066(-B)). At the location of the end clamp, you must provide the end clamp support (art. no. 1008065(-B)).



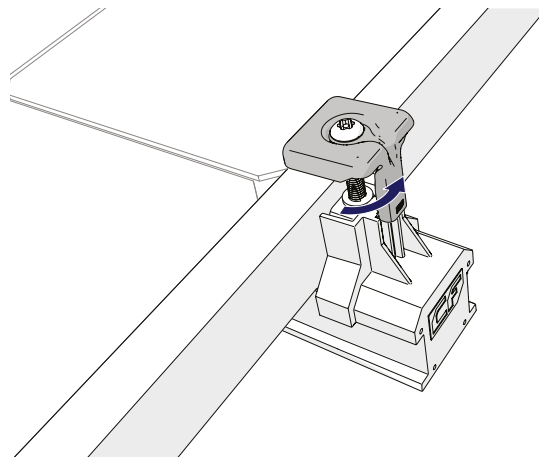
**2 CLICK THE UNIVERSAL MODULE CLAMP ON THE RAILS.**



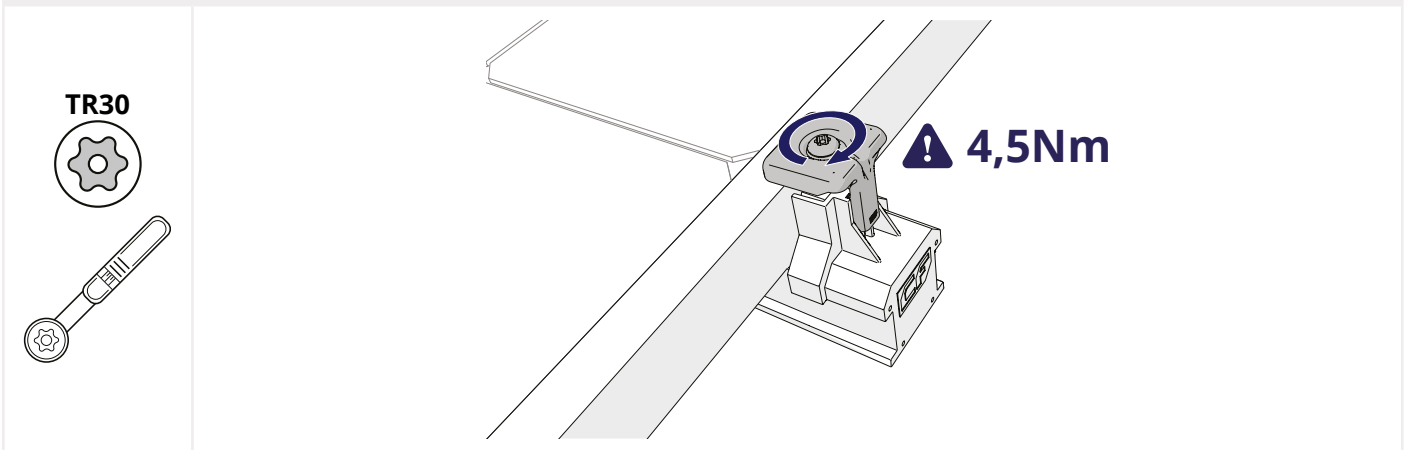
**3 SLIDE THE END CAPS ONTO THE RAILS.**



**4 ROTATE THE UPPER PART OF THE MODULE CLAMP OVER THE END CAP.**



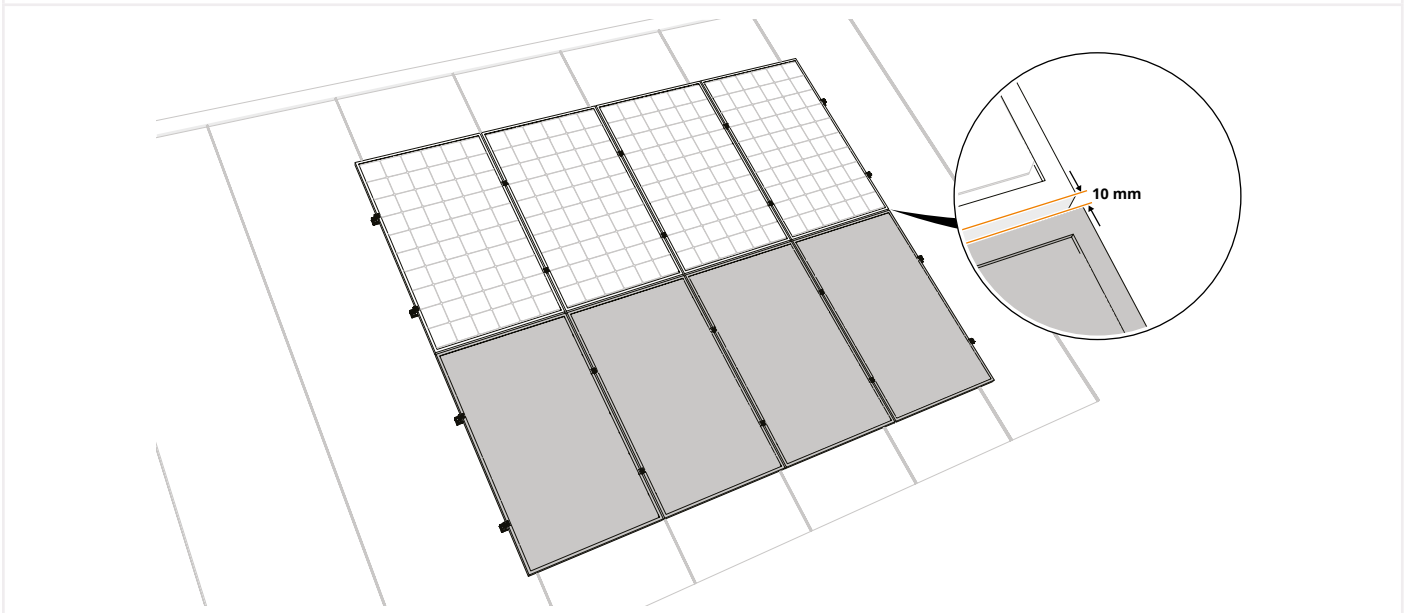
## 5 SCREW THE CLAMPS ONTO THE PANEL. APPLY A TORQUE OF 4.5 NM.



## 9 MOUNTING MULTIPLE ROWS

### 1 MOUNT EACH NEXT ROW AGAINST THE PREVIOUS ROW

- i** Always keep a minimum of 12 mm between each row of panels in the case of horizontal rails, or each panel column in the case of vertical rails.
- i** Always follow the project plan from the calculator.



## REMOVAL AND RECYCLING

### GENERAL

Always follow local laws and regulations when dismantling the mounting system and disposing of it.





**BUILDING VALUE <sup>+</sup> FOR  
SOLAR PROFESSIONALS**

**Esdec**

Londenstraat 16  
7418 EE Deventer  
The Netherlands

☎ +31 850 702 000

✉ info@esdec.com

[www.esdec.com](http://www.esdec.com)

300424