



Tissue holder - Matte Black

SERIES SPECIFIC

83 525 976 Product version from 4/1/2024



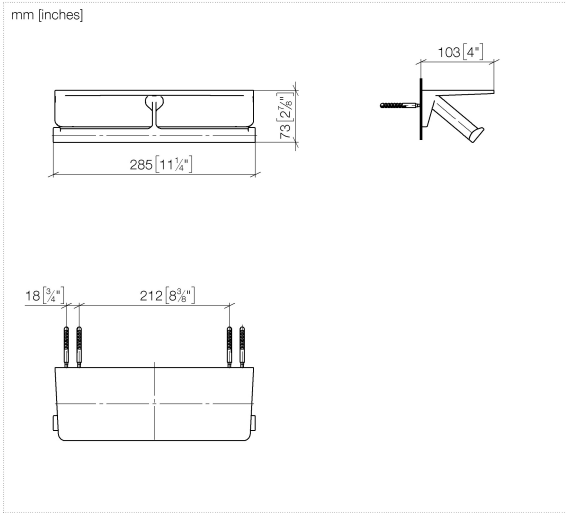


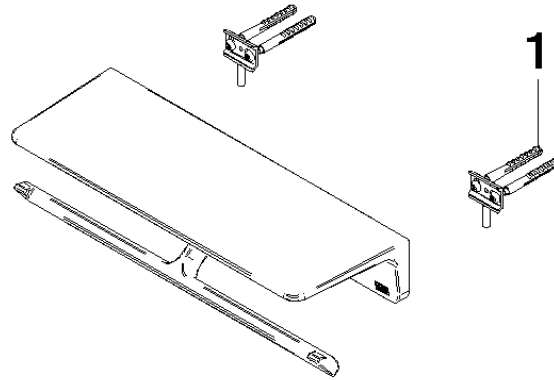
Tissue holder - Matte Black

SERIES SPECIFIC

83 525 976 Product version from 4/1/2024

83 525 976 Product version from 4/1/2024





Spare parts list

No.	Item Number	Name	Quantity used	Delivery time
1	90 30 30 242 00 90	Attachment set -	2.00	14