

Ceiling mounted Adjustable MW detector - lux sensing & time delay (Z2) 1-10 DIM 0041581



Features

- Adjustable/tiltable ceiling recessed microwave presence/absence detector. 1-10V Direct dimming for controlling up to 10 luminaires. Lux level sensing. Time delay function. Infrared override. Dual sensitivity offers configurable ON and OFF motion sensitivity. Programmable using programming handsets. Wide range of accessories including surface mounting backboxes and wall mounting bracket. Maintained illuminance capabilities. Scene setting and recall using user handset. Lamp burn in feature. IP40. Region 2 configuration = Rest of Europe excluding UK, France, Portugal, Germany, Switzerland, Austria, Slovakia, Ireland.

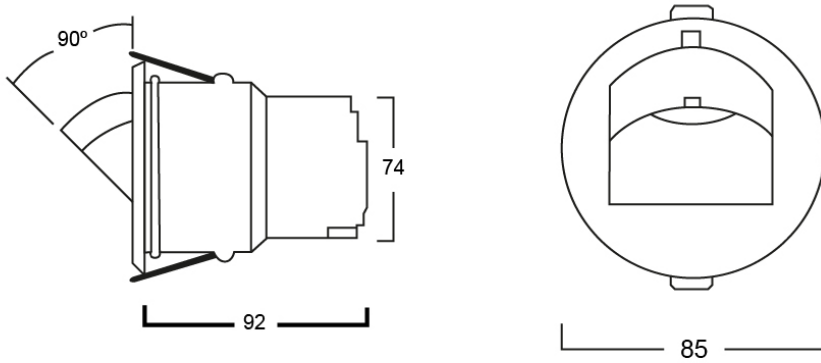
Product Overview

Product name	Ceiling mounted Adjustable MW detector - lux sensing & time delay (Z2) 1-10 DIM
Technology	Controls
Max load (A)	10
Mount	Ceiling recessed mounting, Ceiling surface mounting
Input protocol	Microwave sensor
Output protocol	0-10V
Number of channels	2
Environment	Interior
IP rating	IP40
Product EAN number	5410288415819

Ceiling mounted Adjustable MW detector - lux sensing & time delay (Z2) 1-10 DIM

0041581

Technical drawings



Data table

GENERAL DATA

Product name	Ceiling mounted Adjustable MW detector - lux sensing & time delay (Z2) 1-10 DIM
Technology	Controls
Mount	Ceiling recessed mounting, Ceiling surface mounting
Environment	Interior
Operating temperature range (°C)	-10°C...+50°C

ELECTRICAL DATA

Max load (A)	10
Input protocol	Microwave sensor
Output protocol	0-10V
Number of channels	2
Primary Supply/Product voltage - min (V)	220
Control gear required	No

Ceiling mounted Adjustable MW detector - lux sensing & time delay (Z2) 1-10 DIM

0041581

PHYSICAL DATA

IP rating	IP40
Nominal Product Length (mm)	85
Nominal Product Width (mm)	85
Weight (kg)	0.155
Recessed Depth (mm)	92

PACKAGING

Single packaging type	Carton
Product EAN number	5410288415819
Packaging single width (cm)	10.0
Packaging single depth (cm)	10.0
Packaging outer length / height (cm)	63.0

SAFETY DATA

Optimal operating condition (°C)	-10-50
Special purpose lamp	No
Dry applications use only	No
Suitable for household illumination	No