

## Ceiling mounted Adjustable MW detector - lux sensing & time delay (Z2) 0041579



### Features

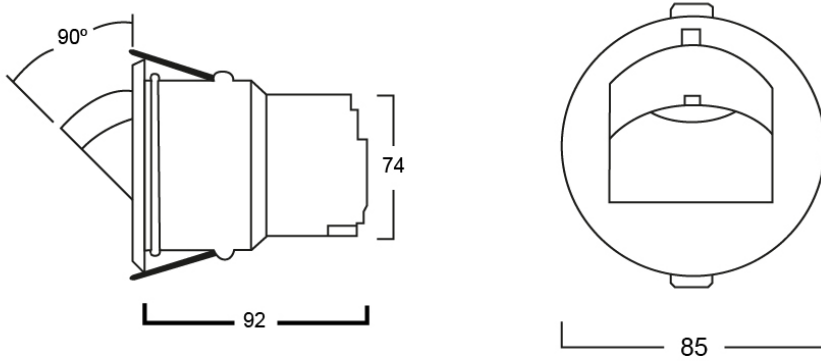
- Adjustable/tiltable ceiling recessed microwave presence/absence detector. Lux level sensing. Time delay function. Infrared override. Dual sensitivity offers configurable ON and OFF motion sensitivity. Programmable using programming handsets. Wide range of accessories including surface mounting backboxes and wall mounting bracket. Multiples can be wired in parallel for L-shaped corridors. IP40. Region 2 configuration = Rest of Europe excluding UK, France, Portugal, Germany, Switzerland, Austria, Slovakia, Ireland.

### Product Overview

<b>Product name</b>	Ceiling mounted Adjustable MW detector - lux sensing & time delay (Z2)
<b>Technology</b>	Controls
<b>Max load (A)</b>	10
<b>Mount</b>	Ceiling recessed mounting, Ceiling surface mounting
<b>Input protocol</b>	Microwave sensor, IR Signal, Lux sensor
<b>Output protocol</b>	Switched
<b>Number of channels</b>	1
<b>Environment</b>	Interior
<b>IP rating</b>	IP40
<b>Product EAN number</b>	5410288415796
<b>Warranty</b>	3 years

## Ceiling mounted Adjustable MW detector - lux sensing & time delay (Z2) 0041579

### Technical drawings



### Data table

#### GENERAL DATA

<b>Product name</b>	Ceiling mounted Adjustable MW detector - lux sensing & time delay (Z2)
<b>Technology</b>	Controls
<b>Mount</b>	Ceiling recessed mounting, Ceiling surface mounting
<b>Environment</b>	Interior
<b>Operating temperature range (°C)</b>	-10°C...+50°C
<b>Warranty</b>	3 years

#### ELECTRICAL DATA

<b>Max load (A)</b>	10
<b>Input protocol</b>	Microwave sensor, IR Signal, Lux sensor
<b>Output protocol</b>	Switched
<b>Number of channels</b>	1
<b>Primary Supply/Product voltage - min (V)</b>	220
<b>Control gear required</b>	No

## Ceiling mounted Adjustable MW detector - lux sensing & time delay (Z2) 0041579

### PHYSICAL DATA

IP rating	IP40
Nominal Product Length (mm)	85
Nominal Product Width (mm)	85
Weight (kg)	0.15
Recessed Depth (mm)	92

### PACKAGING

Single packaging type	Carton
Product EAN number	5410288415796
Packaging single width (cm)	10.0
Packaging single depth (cm)	10.0
Packaging outer length / height (cm)	63.0

### SAFETY DATA

Optimal operating condition (°C)	-10-50
Special purpose lamp	No
Dry applications use only	No
Suitable for household illumination	No