

## Data Sheet | Item Number: 294-8022

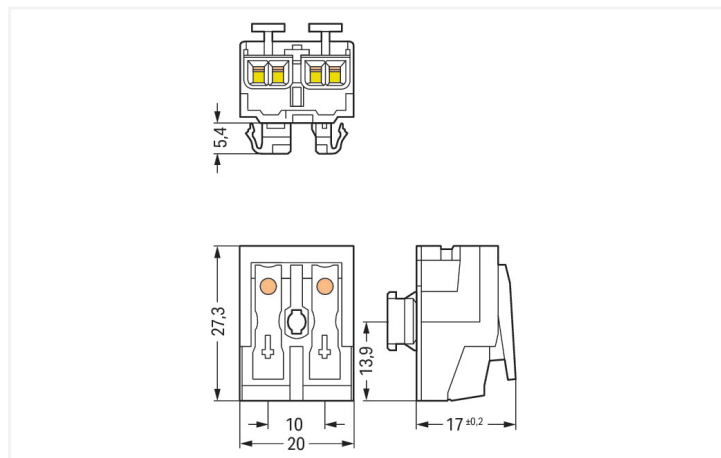
Lighting connector; push-button, external; for Linect®; without ground contact; N - L; 2-pole; Cod. L; Lighting side: for solid conductors; Inst. side: for all conductor types; max. 2.5 mm<sup>2</sup>; Surrounding air temperature: max 85°C (T85); white



<https://www.wago.com/294-8022>



Color: ■ white



Dimensions in mm

Field-wiring terminal block with linect<sup>®</sup>, 294 Series, with 10 mm pin spacing

Enjoy easy electrical installations with field-wiring terminal block with linect<sup>®</sup> (item number 294-8022). Conductors should only be connected to field-wiring terminal block with linect<sup>®</sup> if their strip length is between 8 and 9 mm. This product features four conductor terminals and utilizes Push-in CAGE CLAMP® as well as PUSH WIRE®. Push-in CAGE CLAMP® connection technology is ideal for connecting all conductor types. Both solid and fine-stranded conductors with ferrules can be pushed in without the need for tools—all thanks to its pluggable design. Our PUSH WIRE® connection uses the stiffness of the conductor to overcome the clamping spring's contact force, allowing you to clamp the conductor in place more quickly and easily. The item's dimensions are (20 x 22.4 x 27.3) mm (width x height x depth). Depending on the conductor type, field-wiring terminal block with linect<sup>®</sup> is suitable for conductor cross sections ranging from 0.5 mm<sup>2</sup> to 2.5 mm<sup>2</sup> on one side and for conductor cross sections from 0.5 mm<sup>2</sup> to 2.5 mm<sup>2</sup> on the other side as well as conductor cross sections from 0.5 mm<sup>2</sup> to 1.5 mm<sup>2</sup> and from 0.5 mm<sup>2</sup> to 0.75 mm<sup>2</sup>.

The contact surface is coated with tin.

### Electrical data

Ratings	Connection points		
	IEC/EN 60998-1	IEC/EN 60998-1	IEC/EN 60998-1
Ratings per			
Overvoltage category	III	III	II
Pollution degree	3	2	2
Nominal voltage	-	-	500 V
Rated impulse withstand voltage	-	-	4 kV
Rated current	-	-	24 A

Ratings	Connection points		
	IEC/EN 60998-2-2	IEC/EN 60998-2-2	IEC/EN 60998-2-2
Ratings per			
Overvoltage category	III	III	II
Pollution degree	3	2	2
Nominal voltage	-	-	500 V
Rated impulse withstand voltage	-	-	4 kV
Rated current	-	-	24 A

Ratings	Linect <sup>®</sup> plug-in connection		
	IEC/EN 61984	IEC/EN 61984	IEC/EN 61984
Ratings per			
Overvoltage category	III	III	II
Pollution degree	3	2	2
Nominal voltage	-	-	500 V
Rated impulse withstand voltage	-	-	4 kV
Rated current	-	-	16 A

## Connection Data

Total number of potentials	2
Number of connection types	4

### Connection 1

Connection type	External 1
Connection technology	Push-in CAGE CLAMP®
Number of connection points	2
Actuation type	Push-button
Solid conductor	0.5 ... 2.5 mm <sup>2</sup> / 18 ... 12 AWG
Solid conductor; push-in termination	0.5 ... 2.5 mm <sup>2</sup> / 18 ... 12 AWG
Stranded conductor	0.5 ... 2.5 mm <sup>2</sup> / 18 ... 14 AWG
Fine-stranded conductor	0.5 ... 2.5 mm <sup>2</sup> / 18 ... 14 AWG
Fine-stranded conductor; with insulated ferrule	0.5 ... 1.5 mm <sup>2</sup> / 18 ... 16 AWG
Fine-stranded conductor; with uninsulated ferrule	0.5 ... 1.5 mm <sup>2</sup> / 18 ... 16 AWG
Fine-stranded conductor; with ferrule; push-in termination	0.5 mm <sup>2</sup> / 18 AWG
Strip length	8 ... 9 mm / 0.31 ... 0.35 inches
Pole number	2

### Connection 2

Connection type	Internal 2
Connection technology	PUSH WIRE®
Number of connection points	1
Actuation type	Push-in
Solid conductor	0.5 ... 2.5 mm <sup>2</sup> / 18 ... 14 AWG
Fine-stranded conductor; with insulated ferrule	0.5 ... 1 mm <sup>2</sup> / 18 ... 14 AWG
Fine-stranded conductor; with uninsulated ferrule	0.5 ... 1.5 mm <sup>2</sup> / 18 ... 16 AWG
Strip length	8 ... 9 mm / 0.31 ... 0.35 inches

### Connection 3

Connection type	Internal 3
Connection technology	PUSH WIRE®
Number of connection points	1
Actuation type	Push-in
Solid conductor	0.5 ... 1.5 mm <sup>2</sup> / 18 ... 16 AWG
Fine-stranded conductor; with insulated ferrule	0.5 ... 0.75 mm <sup>2</sup> / 18 AWG
Fine-stranded conductor; with uninsulated ferrule	0.5 ... 1 mm <sup>2</sup> / 18 ... 14 AWG
Strip length	8 ... 9 mm / 0.31 ... 0.35 inches

### Connection 4

Connection type	Internal 4
Connection technology	PUSH WIRE®
Number of connection points	1
Actuation type	Push-in
Solid conductor	0.5 ... 0.75 mm <sup>2</sup> / 18 AWG
Strip length	8 ... 9 mm / 0.31 ... 0.35 inches

## Physical data

Pin spacing	10 mm / 0.394 inches
Width	20 mm / 0.787 inches
Height	22.4 mm / 0.882 inches
Height from the surface	17 mm / 0.669 inches
Depth	27.3 mm / 1.075 inches

### Mechanical data

Technology	Linect
Marking	N' L'

### Material data

Note (material data)	<a href="#">Information on material specifications can be found here</a>
Color	white
Material group	Illa
Insulation material (main housing)	Polycarbonate (PC)
Flammability class per UL94	V0
Clamping spring material	Chrome-nickel spring steel (CrNi)
Contact material	Electrolytic copper (E <sub>Cu</sub> )
Contact Plating	Tin
Fire load	0.135 MJ
Weight	6.6 g

### Environmental requirements

Temperature stability	120 °C
T marking	T85

### Commercial data

Product Group	8 (Misc. Chassis Mount Blocks)
PU (SPU)	1000 pcs
Packaging type	Foil
Country of origin	CH
GTIN	4050821098768
Customs tariff number	85369010000

### Product Classification

UNSPSC	39121409
eCl@ss 10.0	27-14-11-06
eCl@ss 9.0	27-14-11-06
ETIM 9.0	EC001284
ETIM 10.0	EC001284
ECCN	NO US CLASSIFICATION



### Environmental Product Compliance

REACH Candidate List Substance	Perfluorobutane sulfonic acid (PFBS) and its salts
RoHS Compliance Status	Compliant, No Exemption
SCIP notification number (Austria)	b4fc0703-228e-4a5a-9af3-68ce9d601216
SCIP notification number (Belgium)	9df8b7af-881a-4b42-9168-25081c32c7d0
SCIP notification number (Bulgaria)	9434578d-7a84-4371-9065-7e8fad38209
SCIP notification number (Czech Republic)	b801b1e9-d46b-43ad-9f4c-9de0bd4f0d96
SCIP notification number (Denmark)	7802eb64-d790-4d49-842c-a5b32f03876c
SCIP notification number (Finland)	43a33ca9-8b49-4209-ac19-48d79435aa23
SCIP notification number (France)	5db4455e-fbe0-4f7b-837a-0373496b56ab
SCIP notification number (Germany)	ec9aa4ab-b7e6-44d9-8410-119cfcd3b48f
SCIP notification number (Hungary)	ffed1d9b-9da9-4df7-8e0f-4ed8d719950a
SCIP notification number (Italy)	96a02d43-6524-4da4-8fd4-5aed6e1753ff
SCIP notification number (Netherlands)	df1e5417-0112-46e5-8ec3-16f7c37a9630
SCIP notification number (Poland)	f14d1ad8-c238-43e2-999d-b95c58729939
SCIP notification number (Romania)	ee63c688-7345-46da-8525-28e02fea62c5

**Environmental Product Compliance**

SCIP notification number (Sweden)	8ceb5fd0-6ce4-4ac7-bf56-b5000f8a96cd
-----------------------------------	--------------------------------------

**Approvals / Certificates**

General approvals			Declarations of conformity and manufacturer's declarations		
 					
Approval	Standard	Certificate Name	Approval	Standard	Certificate Name
ENEC 05 DEKRA Certification B.V.	EN 60998	2128791.01	EU-Declaration of Confor- mity WAGO GmbH & Co. KG	-	-
VDE VDE Prüf- und Zertifizie- rungsinstitut	EN 61535	40029808	UK-Declaration of Confor- mity WAGO GmbH & Co. KG	-	-

**Downloads**

Environmental Product Compliance	
Compliance Search	
Environmental Product Compliance 294-8022	<a href="#">↓</a>

**Documentation**

Additional Information			
Technical Section	03.04.2019	pdf 2027.26 KB	<a href="#">↓</a>

**CAD/CAE-Data**

CAD data		CAE data	
2D/3D Models 294-8022	<a href="#">↓</a>	WSCAD Universe 294-8022	<a href="#">↓</a>
		ZUKEN Portal 294-8022	<a href="#">↓</a>

Subject to changes. Please also observe the further product documentation!

Current addresses can be found at: [www.wago.com](http://www.wago.com)