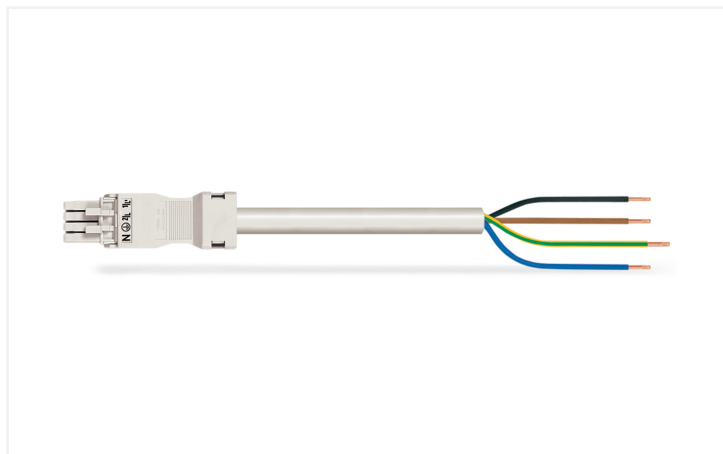


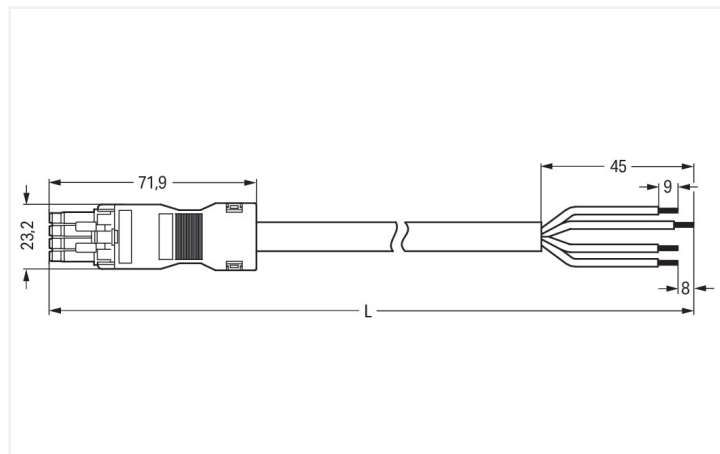
## Data Sheet | Item Number: 891-8994/106-802

pre-assembled connecting cable; Eca; Socket/open-ended; 4-pole; Cod. A; H05VV-F 4G 1.5 mm<sup>2</sup>; 8 m; 1,50 mm<sup>2</sup>; white

<https://www.wago.com/891-8994/106-802>



Color: ■ white



Dimensions in mm

Cable assembly *WINSTA*® MINI rated current 16 A

The *WINSTA*® MINI cable assembly with protection against mismatching supports rapid, correct installation. WAGO pluggable installation connectors are used when specifications repeat or are planned on a specific grid, for example for installing grid lighting or flush-mount lighting. The color coding and mechanical coding of the pluggable installation connector ensure error-free installation of the individual components – including protection against mismatching. The pluggable installation connector is protected against ingress by solid granular objects with a diameter of less than 1 mm in accordance with protection type IP40. The *WINSTA*® MINI pluggable installation connector with A coding in white or black is normally used for general mains applications in power distribution. Particularly where space is tight, our smallest pluggable connection system, *WINSTA*® MINI, conveniently displays its advantageous properties. It saves space, and, with Push-in CAGE CLAMP® spring pressure connection technology, it additionally saves time, since the installation is low-maintenance and can be performed without screw connections. This product meets all the relevant fire protection requirements of fire class E; therefore it can be used in areas where fire safety is relevant.

Fast, secure pluggable connections – cable assemblies from WAGO

The cable assembly is equipped with a socket and a free end. The *WINSTA*® Pluggable Connection System allows pluggable electrical installation. This significantly reduces the need for servicing and lowers costs. Now you can also lower installation expenses without compromising quality and safety: with strain relief hosting reduces the need for servicing and prevents unnecessary downtime.

- pluggable installation connectors with protection against mismatching
- compact design for conductors with a cross-section up to 1.5 mm<sup>2</sup>
- suitable for any application
- flexible installation to save space
- fast, secure installation

### Notes

Note

Cables with a different fire class can be found in the eShop.

## Electrical data

| Ratings per                     | IEC/EN 60664-1 |     |    |
|---------------------------------|----------------|-----|----|
| Overvoltage category            | III            | III | II |
| Pollution degree                | 3              | 2   | 2  |
| Nominal voltage                 | 400 V          | -   | -  |
| Rated impulse withstand voltage | 6 kV           | -   | -  |
| Rated current                   | 16 A           | -   | -  |

## General information

|                            |  |
|----------------------------|--|
| Note on contact resistance | approx. 1 mΩ of contact resistance<br>approx. 0.25 mΩ contact transition plug/<br>socket |
|----------------------------|--|

## Connection Data

|                            |                           |
|----------------------------|---------------------------|
| Total number of potentials | 4                         |
| PE function                | Preceding PE contact      |
| Conductor preparation      | ultrasonically tip-bonded |

## Connection 1

|                                 |                     |
|---------------------------------|---------------------|
| Strip length                    | 9 mm / 0.35 inches  |
| Pole number                     | 4                   |
| Wire cross-section              | 1.5 mm <sup>2</sup> |
| Strip length (outer insulation) | 45 mm               |
| Connection type                 | Socket - free end   |

## Physical data

|              |                        |
|--------------|------------------------|
| Pin spacing  | 4.4 mm / 0.173 inches  |
| Width        | 23.2 mm / 0.913 inches |
| Height       | 16 mm / 0.63 inches    |
| Total length | 8 m                    |

## Mechanical data

|   |   |
|---|---|
| Use                                     | General mains applications                                    |
| Coding                                  | A   |
| Variable coding                         | No  |
| Marking                                 | N ⊕ 2/L 1/L'  |
| Potential marking                       | N ⊕ 2/L 1/L'  |
| Mating force of a plug-in connection    | approx. 20 ... 70 N (depending on pole number)                |
| Retention force of a plug-in connection | when locked: > 80N  |
| Unmating force of a plug-in connection  | when unlocked: approx. 20 ... 70 N (depending on pole number) |
| Number of mating cycles                 | 200, without resistive load                                   |
| Connection type                         | Socket - free end   |
| Type of pre-assembled cable             | Connecting cable  |
| Cable type                              | H05VV-F 4G1.5   |
| Protection type                         | IP40  |

## Plug-in connection

|                               |  |
|-------------------------------|--|
| Mismating protection          | Yes  |
| Note on mismating protection  | All WINSTA® components are 100% protected against mismating when:<br>a.) plugging different numbers of poles<br>b.) plugging while rotated 180<br>c.) plugging while laterally staggered<br>d.) plugging one pole  |
| Locking lever                 | Can be retrofitted   |
| Locking of plug-in connection | Locking lever  |
| Note on locking system        | All connectors for mounted installations (snap-in versions for lighting fixtures or devices, all types of PCB and distribution connectors) are factory-equipped with locking levers to ensure plugs and sockets are securely locked. Additional locking levers are only required for flying leads (plug/socket). |

### Material data

|                                    |  |
|------------------------------------|--|
| Note (material data)               | <a href="#">Information on material specifications can be found here</a> |
| Color                              | white  |
| Insulation material (main housing) | Polyamide (PA66)   |
| Fire class per EN 50575            | E <sub>ca</sub>  |
| Contact material                   | Copper or copper alloy; surface-treated                                  |
| Contact Plating                    | Tin  |
| Fire load                          | 239.941 MJ   |
| Connector color                    | white  |
| Strain relief color                | white  |
| Sheathed cable color               | white  |
| Printing color of sheathed cable   | black  |
| Halogen-free                       | No   |
| Silicon-free                       | Yes  |
| Sheath material                    | PVC  |
| Rubber cable                       | No   |
| Weight                             | 1049.3 g   |
| Copper weight of the raw cable     | 0.058 kg/m   |

### Environmental requirements

|  |   |
|--|---|
| Processing temperature                   | -5 ... +40 °C   |
| Continuous operating temperature         | -35 ... +85 °C  |
| Note on continuous operating temperature | Cable for temperatures ≤ 70 °C (including halogen-free)<br>Insulating parts for temperatures ≤ 105 °C |

### Commercial data

|                       |               |
|-----------------------|---------------|
| PU (SPU)              | 1 pcs         |
| Packaging type        | unpacked      |
| Country of origin     | PL            |
| GTIN                  | 4055143404327 |
| Customs tariff number | 85444290900   |

### Product Classification

|             |                      |
|-------------|----------------------|
| UNSPSC      | 26121629             |
| eCl@ss 10.0 | 27-44-06-04          |
| eCl@ss 9.0  | 27-44-06-04          |
| ETIM 9.0    | EC002587             |
| ETIM 10.0   | EC002587             |
| ECCN        | NO US CLASSIFICATION |

### Environmental Product Compliance

|                        |                         |
|------------------------|-------------------------|
| RoHS Compliance Status | Compliant, No Exemption |
|------------------------|-------------------------|

## Approvals / Certificates

### General approvals



| Approval                              | Standard | Certificate Name |
|---------------------------------------|----------|------------------|
| CCA<br>DEKRA Certification B.V.       | EN 61535 | NTR NL-7971      |
| KEMA/KEUR<br>DEKRA Certification B.V. | EN 61535 | 71-123232        |

## Downloads

### Environmental Product Compliance

#### Compliance Search

Environmental Product  
Compliance  
891-8994/106-802



## Documentation

### Bid Text

|                  |            |                 |  |
|------------------|------------|-----------------|--|
| 891-8994/106-802 | 19.02.2019 | xml<br>2.98 KB  |  |
| 891-8994/106-802 | 01.12.2014 | doc<br>24.50 KB |  |

## CAD/CAE-Data

### CAE data

EPLAN Data Portal  
891-8994/106-802



WSCAD Universe  
891-8994/106-802



## 1 Compatible Products

### 1.1 Required Accessories

#### 1.1.1 Locking system

##### 1.1.1.1 Locking system



[Item No.: 890-111](#)

Locking lever; for flying leads; for tool operation; black



[Item No.: 890-131](#)

Locking lever; for flying leads; for tool operation; white



[Item No.: 890-101](#)

Locking lever; for manual operation; black



[Item No.: 890-121](#)

Locking lever; for manual operation; white

## 1.2 Optional Accessories

### 1.2.1 Cover

#### 1.2.1.1 Cover



**Item No.: 897-2003**

Protective cap; Type2; for sockets and plugs; PVC; red

## 1.2.2 Installation

### 1.2.2.1 Mounting accessories



**Item No.: 890-310**

Mounting carrier; 2- to 5-pole; for flying leads; black



**Item No.: 890-311**

Mounting carrier; 2- to 5-pole; for flying leads; white