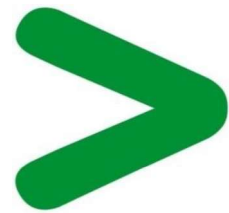


Product End of Life Instructions

SpaceLogic MP500C PIBCV Actuator, with Stem Adapter





Potential disassembly risks

⚠ WARNING

HAZARD OF PARTS EJECTION OR HAND CRUSHING

- Trip the circuit breaker up to discharged state before disassembly.
- Observe instructions to disassemble the spring(s).

Failure to follow these instructions can result in death or serious injury.

⚠ CAUTION

HAZARD OF PARTS WITH SHARP EDGES

Apply appropriate personal protective equipment (PPE) during disassembly.

Failure to follow these instructions can result in injury.

⚠ WARNING

INCORRECT LIFTING AND HANDLING

Take all measures necessary to keep the equipment from swinging, toppling and falling.

Failure to follow these instructions can result in death or serious injury.

The information provided in this document assumes that the product is completely de-energized and uninstalled (refer to the instructions provided in the appropriate product manuals).

Dismantling/disassembling the product may entail hazards caused by, for example, sharp edges, chemical aggression or ejected parts.

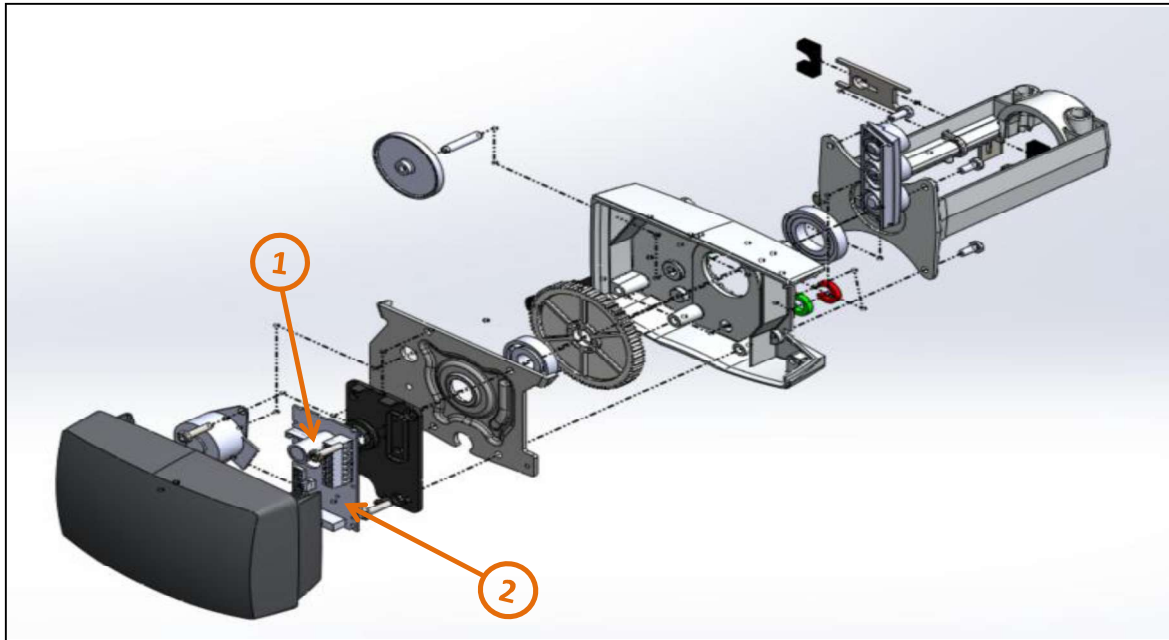
⚠ WARNING

HAZARD DUE TO INSUFFICIENT PROTECTION

- Implement all safety measures required by the applicable regulations and by the processes used to dismantle/disassemble and dispose of the product.
- Use all necessary personal protective equipment such as gloves and goggles.

Failure to follow these instructions can result in death or serious injury.

End of Life Instructions



Recommendation	Number on drawing	Component / Material	Weight (in g)	Comment
To be depolluted	1	Capacitors	8	1 item
To be depolluted	2	Electronic Board (Communication) > 10cm ²	47.968	47.48cm ²

Product description

Manufacturer identification	Schneider Electric Industries SAS
Brand name	Schneider Electric
Product function	MP500C is an linear electro-mechanical actuator for the control of the VP22 SpaceLogic PIBCV, DN40-100. MP500C is controlled either by an increase/decrease floating signal or by a range of modulating control signals between the span of 0...10V. Working range and end point switches calibrate to any stroke and flow setting of the valve. Multi-signal control for either 3 point increase/decrease signal or various modulating control signals including sequencing. Supply Voltage: 24 Vac +/- 10%, 24 Vdc +/- 15%. Thrust: 500N. Enclosure rating IP52 (NEMA 2). EMC 24/18/CE.
Product reference	MP500C
Total representative product mass	3435 g
Representative product dimensions	184mm x 134mm x 180mm
Accessories	Yes
Date of information release	2026-03

Additional information

Legal information	This product family is in the scope of European Union directive 2012/19/EU on Waste Electrical and Electronic Equipment (WEEE). The product family must be disposed according to the legislation of the country. This document is intended for use by end of life recyclers or treatment facilities. It provides the basic information to assure an appropriate end of life treatment for the components and materials of the product.
In case of special transportation: transportation method	No special transportation method required
Recyclability potential	90% The recyclability rate was calculated from the recycling rates of each material making up the product based on REEECY'LAB tool developed by Ecosystem, for components/materials not covered by the tool, data from the EIME database and the related PSR was taken. If no data was found a conservative assumption was used (0% recyclability).

Schneider Electric Industries SAS

Country Customer Care Center
<http://www.se.com/contact>

35, rue Joseph Monier

CS 30323

F- 92500 Rueil Malmaison Cedex

RCS Nanterre 954 503 439

Capital social 928 298 512 €

www.se.com

ENVEOLI2604008_V1

Published by Schneider Electric

© 2023 - Schneider Electric – All rights reserved

2026-03