

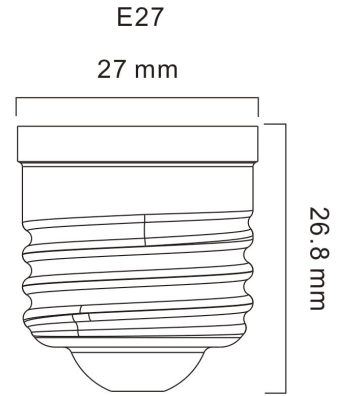
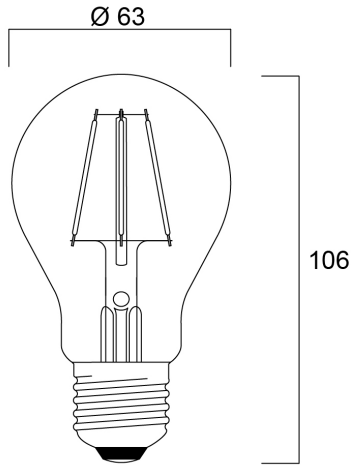
## Features

- Each LED filament contains special semiconductor chips delivering pure ultraviolet UV-A radiation- Wavelength peak 400nm is entirely safe for human exposure- Pure UV radiation with extremely low lumen output, which avoids masking fluorescence effects- Full glass construction with no external lacquer coating to peel or scratch off- IP54 water/dirt/dust resistant- Engineered in Belgium, Made in China- Applications include: lighting effects in entertainment venues, authentication of banknotes, passports & drivers licences, sensory rooms

## Product Overview

Product name	Blacklight A60 E27 SL
Technology	LED
Cap/Base	E27
Fixture rating	Open
E-number FI	4844492
Colour Variation Initial (SDCM)	9
Photobiological Risk Group	RG0
Wattage (W)	3.5
Product EAN number	5410288863023

## Technical drawings



## Data table

### GENERAL DATA

Product name	Blacklight A60 E27 SL
Technology	LED
Cap/Base	E27
Fixture rating	Open
E-number FI	4844492

### OPTICAL DATA

UV-A irradiance	50
Colour Variation Initial (SDCM)	9
Photobiological Risk Group	RG0

### ELECTRICAL DATA

Wattage (W)	3.5
Primary Supply/Product voltage - min (V)	220

## Blacklight A60 E27 SL 0086302

Control gear required	No
Nominal Frequency (Hz)	50/60Hz

### LIFETIME DATA

Average life (Rated) (h)	6000
--------------------------	------

### PHYSICAL DATA

Nominal Product Width (mm)	60
Weight (kg)	0.028

### PACKAGING

Single packaging type	Carton
Product EAN number	5410288863023
Packaging single width (cm)	6.2
Packaging single depth (cm)	11.2
DUN14 (inner)	25410288863027
Units per inner package	6
Packaging inner length / height (cm)	19.6
Packaging inner width (cm)	13.4
Packaging inner depth (cm)	12.2
DUN14 (outer)	15410288863020
Packaging outer length / height (cm)	19.6

### SAFETY DATA

Breakage cleaning instructions	n/a
Special purpose lamp	No
Intended purpose	Decorative Lighting
Dry applications use only	No
Suitable for household illumination	No