

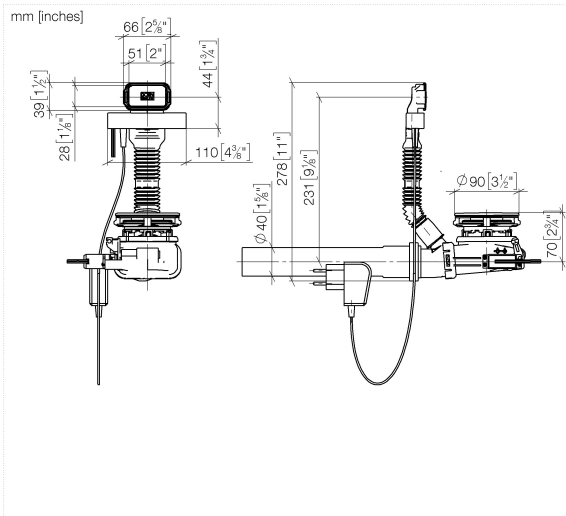
10 410 004 Product version from 1/1/2025

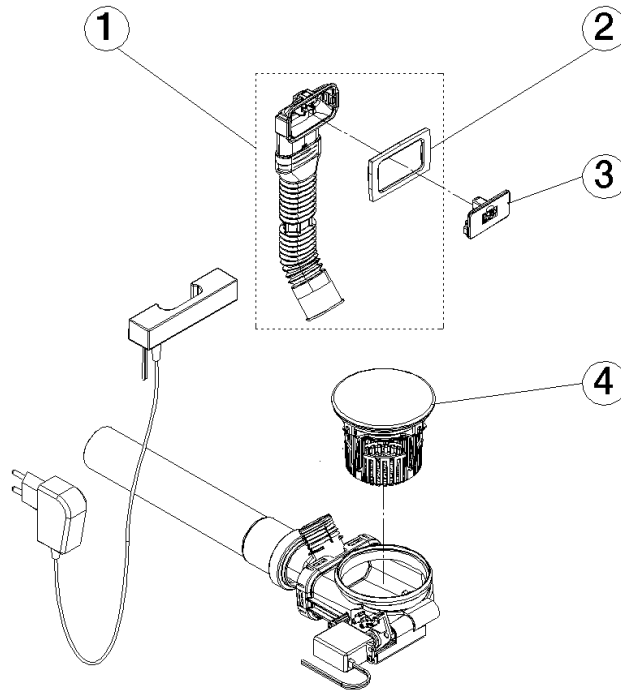


- 3 1/2" hidden drain valve with underlying strainer
- Electric drain valve with integrated button in the overflow
- Hidden, swivel overflow
- DN40 drain
- Drain connection directed towards the wall and can be swiveled max. 30° left/right

Can only be combined with our brushed stainless steel kitchen sinks 38 XXX 004-86.

10 410 004 Product version from 1/1/2025





### Spare parts list

No.	Item Number	Name	Quantity used	Delivery time
4	90 11 01 135 00-86	Cover with strainer basket stainless steel sink - Brushed Stainless Steel	1.00	40
3	90 28 30 085 00-86	Cover for overflow (electrically operated) stainless steel sink - Brushed Stainless Steel	1.00	40
2	90 11 01 125 00 90	Washer for overflow stainless steel sink -	1.00	14
1	90 11 01 128 00 90	overflow pipe for pop-up waste and overflow set stainless steel sink -	1.00	14