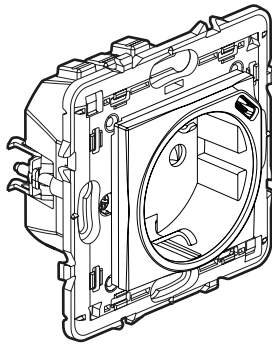
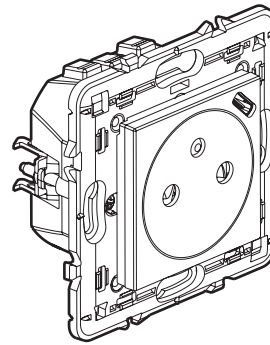


## Valena Next™ 2 P+E + USB Type C mixed socket outlet

Cat. Nos: 7 412 34 - 7 413 34 - 7414 34  
 7 415 37 - 7 417 37 - 7 419 37



7 412 34



7 415 37

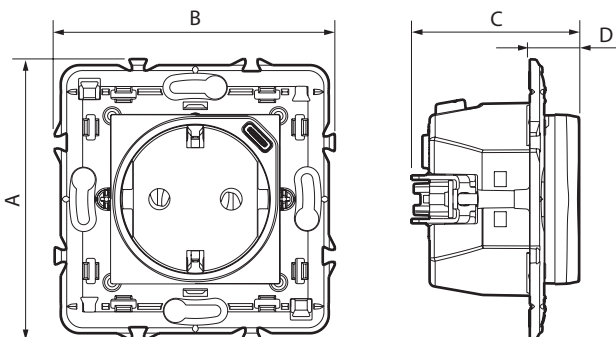
### 1. USE

2 P+E socket outlets with child protection.  
 USB Type C socket: for recharging portable devices such as phones, smartphones, tablets, MP3, MP4, loudspeakers, watches, game consoles, powerbanks.  
 Recessed mounting in box depth 40 mm min.  
 Fixing with screws and/or claws.

### 2. RANGE

Description French standard	White	Matte White	Dark
Mixed socket composed of: - 2 P+E socket flush surface - 16 A - 250 V~ - single USB socket - 5 V= - 1.5 A - 7.5 W Supplied with support (spacing 71 mm) and cover plate	7 415 37	7 419 37	7 417 37
Description German standard	White	Aluminium	Dark
Mixed socket composed of: - 2 P+E socket outlet - 16 A - 250 V~ - 7.5 W - single USB socket - 5 V= - 1.5 A Supplied with support (spacing 71 mm) and cover plate	7 412 34	7 413 34	7 414 34

### 3. DIMENSIONS (mm)



References	A	B	C	D
7 412 34 - 7 413 34 - 7 414 34	74	74	44,5	13
7 415 37 - 7 419 37 - 7 417 37	74	74	41,5	10

### 4. CONNECTION

#### ■ 4.1 2 P+E socket outlet

Type of terminals: automatics  
 Terminal capacity: 6 x 2.5 mm<sup>2</sup>  
 Stripping length: 11 mm  
 Flexible or rigid cables compatible

#### ■ 4.2 Type C USB socket

Prewired socket

### 5. TECHNICAL CHARACTERISTICS

#### ■ 5.1 Mechanical characteristics

Protection against impact: IK 04  
 Protection against solid bodies and liquids: IP 40

#### ■ 5.2 Material characteristics

Colour: - White RAL 9003  
 - Matte white appearance  
 - Aluminium painted satin appearance  
 - Dark painted satin appearance  
 Material: - Cover plate: ABS  
 - Mechanism casing: PC  
 - Grid: 6.6 PC + Galfan steel RAL 7016  
 - Claws: Steel

Halogen free  
 UV resistant

Self-extinguishing:  
 850° C / 30 s for insulating parts holding live parts in place  
 650° C / 30 s for other parts made of insulating materials.

#### ■ 5.3 Electrical characteristics 2 P+E socket

Voltage: 250 V~  
 Current: 16 A  
 Frequency: 50/60 Hz

## 5. TECHNICAL CHARACTERISTICS *(continued)*

### ■ 5.4 Electrical characteristics USB socket

Integrated surge protection

All values listed below are measured at an ambient temperature of + 25° and after 15 minutes of operation.

Connector	USB Type C
Nominal input voltage	100-240 V~
Nominal input frequency	50-60 Hz
Nominal input current	200 mA
Stand-by power consumption	0.07 W - 0.075 mA
Nominal output voltage	5 V=
Nominal output current	1.5 A
Efficiency can meet energy star level "VI" (≥ 76% measured at USB socket output side)	
Safety standard	EN62368-1
Protection class	II - Low voltage

### ■ 5.5 Climatic characteristics

Storage temperature: - 10° C to + 70° C

Use temperature: - 5° C to + 35° C

## 6. CLEANING

Surface cleaning with a cloth.

Do not use: acetone, tar remover, trichlorethylene.

**Caution:** A preliminary test should be carried out if other specific cleaning products are to be used.

## 7. STANDARDS AND APPROVALS

Compliant with installation and manufacturing standards.

See e-catalogue.