

Presence detector P47LR, DALI-2, master, 32 – 37 m, for flush-mounting box, white

353-750321

4 year warranty

This presence detector is a DALI-2 master detector for DALI lighting control in up to 3 daylight zones. The detector is specially designed for mounting in a standard flush-mounting box (60 or 79 mm diagonal screw distance). The lighting zones are defined during commissioning, using the Niko detector tool app and 2-way Bluetooth® communication between a smartphone and the detector.

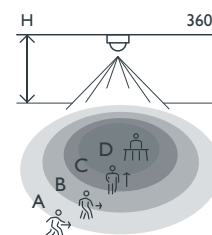
Finishing colour: white

Compatible secondary detectors: 353-650021, 353-651021, 353-652021, 353-750021, 353-751021, 353-752021, 353-852011

- Daylight control in 1-3 daylight zones
- Easy mounting in a standard flush-mounting box (60 or 79 mm diagonal screw distance)
- Quick cabling using screwless and easily accessible plug-in terminals
- User-friendly app for commissioning (iOS/Android)
- 2-way Bluetooth® communication ensures quick commissioning and live feedback in the app
- Supports DALI broadcast (default) and DALI addressable
- Fitted with three PIR segments, each covering 120°
- Pre-configured functions:
 - auto configuration when replacing one DALI ballast/DALI device
 - orientation light
 - adjustable power-on level when daylight control is disabled
 - adjustable PIR sensitivity (4 levels) in 3 x 120°
 - one or more PIR segments can be disabled
 - tunable white third-party integration
 - event log keeps track of recent changes
- DALI lighting control can be overridden with a 230 V push button - different options available
- Suitable for controlling up to 64 DALI devices (consider guaranteed current on the DALI bus)



Detection range



H	A Walking	B Across	C Towards	D Presence
2.5 m	∅ 32 m	∅ 28 m	∅ 10 m	∅ 8 m
3.0 m	∅ 37 m	∅ 30 m	∅ 8 m	∅ 4 m

Measured according to EN/IEC63180



Bluetooth

DALI



DALI-2



master



360°



∅ 37 m from
a height of
3 m



2 – 3.5 m



flush-
mounting
box

niko

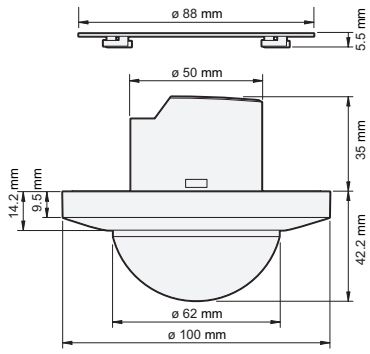
Technical data

Article number	353-750321
Compatible secondary detectors	353-650021, 353-651021, 353-652021, 353-750021, 353-751021, 353-752021, 353-852011
Input voltage	230 Vac \pm 10 %, 50 Hz
Detector output	DALI Broadcast/DALI Addressable
Maximum power consumption	0.5 W
Maximum MCB rating	16 A (limited by national installation rules)
Short circuit behaviour shutdown trigger	voltage below 12 V, exceeding 1.3 s
Short circuit behaviour restart period	every 14 s until success
Maximum voltage on the DALI bus	15 Vdc
Maximum guaranteed current on the DALI bus	100 mA
Maximum supply current	250 mA
Maximum startup time DALI	< 1200 ms
Maximum PIR detection startup time	1 min 10 s
Light intensity range	20 lux – 2000 lux, ∞
Maximum number of control gear on the DALI bus	64
Maximum number of dimmable zones	3
Switch-off delay	pulse, 30 s – 2 h, ∞
Detection angle	360 °
Detection range (PIR)	\varnothing 37 m from a height of 3 m
Ambient temperature	-25 – +40 °C
Mounting method	flush-mounting box
Mounting height	2 – 3.5 m
Colour	white (approximately RAL 9010)
Dimensions visible (HxWxD)	100 x 100 x 42.2 mm
Dimensions (HxWxD)	100 x 100 x 77.2 mm
Maximum range Bluetooth® (free field, depending on the device)	50 m
Operating frequency	2.4 GHz
Maximum radio frequency power	-2 dBm
Protection degree	IP20
Impact resistance	IK04
Modification of settings	Niko detector tool app (iOS-Android) and 2-way Bluetooth® communication
Halogen-free	yes
Marking	CE

Accessories

353-991992 Deco ring for flush-mounted P4XLR and M4XLR detectors, black

Dimensions



Wiring diagram

