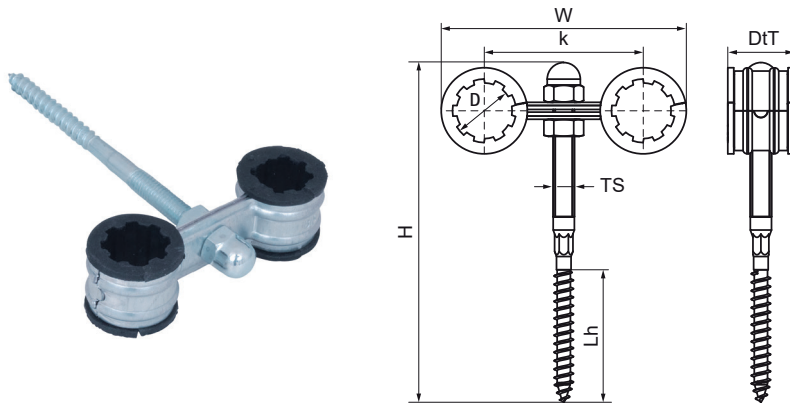


Walraven Double Wall Clamp with Lining

(A1510)

for heating pipes



Features & benefits

- for fixing of two pipes
- two parts of the clamp interlock
- bolt-wood screw with shoulder, making a lock nut unnecessary
- material: steel
- pre-galvanized
- sound insulating lining according DIN 4109

EPD

| Product Number | Outside Pipe Diameter | Total Height | Total Width | Total Depth | Maximum Height | Heart To Heart Distance | Length Wood Thread | Thread Size | Max. Wall Distance Center Clamp | Min. Wall Distance Center Clamp | Maximum Allowed Load Faz | Maximum Allowed Load Fax |
|------------------|-----------------------|--------------|-------------|-------------|----------------|-------------------------|--------------------|-------------|---------------------------------|---------------------------------|--------------------------|--------------------------|
| Reference Letter | D | H | W | DtT | Ht,max | k | Lh | TS | | | Fa,z | Fa,x |
| Unit description | mm | mm | mm | mm | mm | mm | mm | | mm | mm | N | N |
| 3535015 | 15 | 126 | 87 | 25 | 127 | 60 | 50 | M8 | 60 | 60 | 230 | 200 |
| 3535017 | 18 | 126 | 89 | 25 | 127 | 60 | 50 | M8 | 60 | 60 | 230 | 200 |
| 3535021 | 22 | 126 | 93 | 25 | 127 | 60 | 50 | M8 | 60 | 60 | 230 | 330 |
| 3535027 | 28 | 127 | 98 | 25 | 127 | 60 | 48 | M8 | 59.8 | 59.8 | 230 | 330 |
| 3535033 | 33 | 130 | 115 | 25 | 130 | 70 | 48 | M8 | 59.5 | 59.5 | 230 | 330 |