

Compact PIR detector - lux sensing. Time delay - IP55. 1-10V DIM max 10 luminaires
0041543



Features

- PIR sensor with switching and dimming capability for controlling up to 10 1-10V luminaires. On/off and dim via lux sensing. Absence/presence detection. Adjustable time delay (10sec to 99min). Maintained illuminance capabilities. Up to 7m detection radius at 2.8m mounting height. Programmable via handset. Mounting accessories available. 10A maximum load.

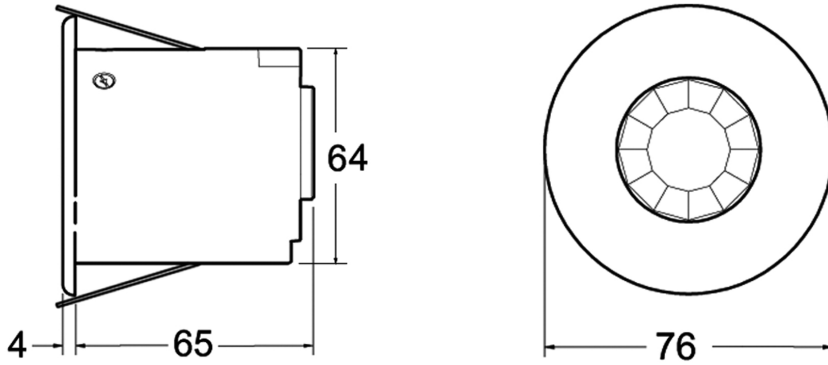
Product Overview

Product name	Compact PIR detector - lux sensing. Time delay - IP55. 1-10V DIM max 10 luminaires
Technology	Controls
Max load (A)	10
Mount	Ceiling recessed mounting, Ceiling surface mounting
Input protocol	PIR Sensor, IR Signal, Lux sensor
Output protocol	1-10V
Number of channels	2
Environment	Interior
IP rating	IP40
Product EAN number	5410288415437

Compact PIR detector - lux sensing. Time delay - IP55. 1-10V DIM max 10 luminaires

0041543

Technical drawings



Data table

GENERAL DATA

Product name	Compact PIR detector - lux sensing. Time delay - IP55. 1-10V DIM max 10 luminaires
Technology	Controls
Mount	Ceiling recessed mounting, Ceiling surface mounting
Environment	Interior
Operating temperature range (°C)	-10°C...+35°C

ELECTRICAL DATA

Max load (A)	10
Input protocol	PIR Sensor, IR Signal, Lux sensor
Output protocol	1-10V
Number of channels	2
Primary Supply/Product voltage - min (V)	220
Control gear required	No

Compact PIR detector - lux sensing. Time delay - IP55. 1-10V DIM max 10
luminaires

0041543

PHYSICAL DATA

IP rating	IP40
Nominal Product Length (mm)	76
Nominal Product Width (mm)	76
Weight (kg)	0.113
Recessed Depth (mm)	65

PACKAGING

Single packaging type	Carton
Product EAN number	5410288415437
Packaging single width (cm)	9.5
Packaging single depth (cm)	7.5
Packaging outer length / height (cm)	47.0

SAFETY DATA

Optimal operating condition (°C)	-10-35
Special purpose lamp	No
Dry applications use only	No
Suitable for household illumination	No