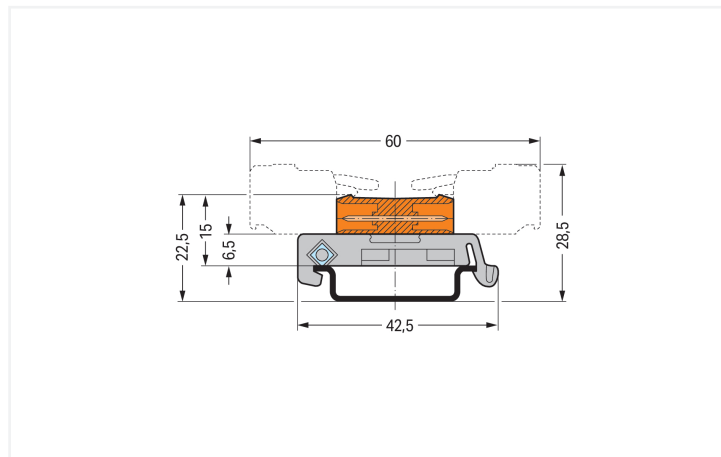


# Data Sheet | Item Number: 232-537/007-000

Double pin header; DIN-35 rail mounting; 7-pole; Pin spacing 5.08 mm; orange

<https://www.wago.com/232-537/007-000>



Color: ■ orange

Dimensions in mm  
 Total length = (pole no. - 1) x pin spacing + 8.2 mm

Male connector, 232 Series, orange

This male connector (item number 232-537/007-000) simplifies electrical installations. Dimensions: (38.76 x 25.9 x 42.5) mm (width x height x depth).

The contact surface is coated with tin.

## Notes

### Safety Information

The MCS – MULTI CONNECTION SYSTEM includes connectors without breaking capacity in accordance with DIN EN 61984. When used as intended, these connectors must not be connected/disconnected when live or under load. When used as intended, these connectors must not be connected/disconnected when live or under load. The circuit design should ensure header pins, which can be touched, are not live when unmated.

### Safety information 2

Notice: Male connectors must not be live when disconnected!

### Variants:

Other pole numbers  
 Other versions (or variants) can be requested from WAGO Sales or configured at <https://configurator.wago.com/>.

## Electrical data

| Ratings per                     | IEC/EN 60664-1 |       |       |
|---------------------------------|----------------|-------|-------|
| Overvoltage category            | III            | III   | II    |
| Pollution degree                | 3              | 2     | 2     |
| Nominal voltage                 | 250 V          | 320 V | 630 V |
| Rated impulse withstand voltage | 4 kV           | 4 kV  | 4 kV  |
| Rated current                   | 12 A           | 12 A  | 12 A  |

| Approvals per | UL 1059 |   |       |
|---------------|---------|---|-------|
| Use group     | B       | C | D     |
| Rated voltage | 300 V   | - | 300 V |
| Rated current | 15 A    | - | 10 A  |

| Approvals per | UL 1977 |
|---------------|---------|
| Rated voltage | 600 V   |
| Rated current | 15 A    |

| Approvals per | CSA   |   |       |
|---------------|-------|---|-------|
| Use group     | B     | C | D     |
| Rated voltage | 300 V | - | 300 V |
| Rated current | 15 A  | - | 10 A  |

### Connection Data

|                            |   |
|----------------------------|---|
| Total number of potentials | 7 |
| Number of connection types | 1 |
| Number of levels           | 1 |

### Connection 1

|             |   |
|-------------|---|
| Pole number | 7 |
|-------------|---|

### Physical data

|                                    |                         |
|------------------------------------|-------------------------|
| Pin spacing                        | 5.08 mm / 0.2 inches    |
| Width                              | 38.76 mm / 1.526 inches |
| Height                             | 25.9 mm                 |
| Height from the surface            | 6.5 mm                  |
| Height from upper-edge of DIN-rail | 15 mm / 0.591 inches    |
| Depth                              | 42.5 mm / 1.673 inches  |

### Mechanical data

|                          |             |
|--------------------------|-------------|
| Variable coding          | Yes         |
| Mounting type            | DIN-35 rail |
| Mounting type            | DIN-35 rail |
| Anti-rotation protection | Yes         |

### Plug-in connection

|                                    |                         |
|------------------------------------|-------------------------|
| Contact type (pluggable connector) | Male connector/plug     |
| Connector (connection type)        | for pluggable connector |
| Mismating protection               | No                      |

### Material data

|                                    |                                                                          |
|------------------------------------|--------------------------------------------------------------------------|
| Note (material data)               | <a href="#">Information on material specifications can be found here</a> |
| Color                              | orange                                                                   |
| Material group                     | I                                                                        |
| Insulation material (main housing) | Polyamide (PA66)                                                         |
| Flammability class per UL94        | V0                                                                       |
| Contact material                   | Electrolytic copper (E <sub>Cu</sub> )                                   |
| Contact Plating                    | Tin                                                                      |
| Fire load                          | 0.174 MJ                                                                 |
| Weight                             | 7.9 g                                                                    |

### Environmental requirements

|                         |                 |
|-------------------------|-----------------|
| Limit temperature range | -60 ... +100 °C |
| Processing temperature  | -35 ... +60 °C  |

### Commercial data

|                       |                        |
|-----------------------|------------------------|
| Product Group         | 3 (Multi Conn. System) |
| PU (SPU)              | 25 pcs                 |
| Packaging type        | Box                    |
| Country of origin     | DE                     |
| GTIN                  | 4045454339883          |
| Customs tariff number | 85366930000            |

**Product Classification**

|             |                      |
|-------------|----------------------|
| UNSPSC      | 39121409             |
| eCl@ss 10.0 | 27-14-11-06          |
| eCl@ss 9.0  | 27-14-11-06          |
| ETIM 9.0    | EC001284             |
| ETIM 10.0   | EC001284             |
| ECCN        | NO US CLASSIFICATION |

**Environmental Product Compliance**

|                        |                         |
|------------------------|-------------------------|
| RoHS Compliance Status | Compliant, No Exemption |
|------------------------|-------------------------|

**Approvals / Certificates**

**General approvals** **Approvals for marine applications**



| Approval                              | Standard  | Certificate Name |
|---------------------------------------|-----------|------------------|
| CB<br>DEKRA Certification B.V.        | IEC 61984 | NL-113351        |
| KEMA/KEUR<br>DEKRA Certification B.V. | EN 61984  | 71-130478 REV.1  |
| UL<br>UL International Germany GmbH   | UL 1977   | E45171           |
| UL<br>Underwriters Laboratories Inc.  | UL 1059   | E45172           |

| Approval                           | Standard  | Certificate Name |
|------------------------------------|-----------|------------------|
| ABS<br>American Bureau of Shipping | -         | 24-0095975-PDA   |
| BV<br>Bureau Veritas S.A.          | IEC 60998 | 11915/E0 BV      |
| DNV<br>DNV GL SE                   | EN 60998  | TAE000016Z       |

**Downloads**

**Environmental Product Compliance**

|                                                     |                   |
|-----------------------------------------------------|-------------------|
| <b>Compliance Search</b>                            |                   |
| Environmental Product Compliance<br>232-537/007-000 | <a href="#">↓</a> |

**Documentation**

|                               |            |                   |                   |
|-------------------------------|------------|-------------------|-------------------|
| <b>Additional Information</b> |            |                   |                   |
| Technical Section             | 03.04.2019 | pdf<br>2027.26 KB | <a href="#">↓</a> |

CAD/CAE-Data

**CAD data**  
 2D/3D Models  
 232-537/007-000

**CAE data**  
 EPLAN Data Portal  
 232-537/007-000

ZUKEN Portal  
 232-537/007-000

1 Compatible Products

1.1 System counterpart

1.1.1 Female connector/socket



**Item No.: 231-307/026-000**  
 1-conductor female connector; CAGE CLAMP®; 2.5 mm²; Pin spacing 5.08 mm; 7-pole; orange

1.2 Optional Accessories

1.2.1 Coding

1.2.1.1 Coding



**Item No.: 231-129**  
 Coding key; snap-on type; light gray

1.2.2 DIN-rail

1.2.2.1 Mounting accessories



**Item No.: 210-196**  
 Aluminum carrier rail; 35 x 8.2 mm; 1.6 mm thick; 2 m long; unslotted; similar to EN 60715; silver-colored



**Item No.: 210-198**  
 Copper carrier rail; 35 x 15 mm; 2.3 mm thick; 2 m long; unslotted; according to EN 60715; copper-colored



**Item No.: 210-508**  
 Steel carrier rail; 35 x 15 mm; 1.5 mm thick; 2 m long; slotted; galvanized; similar to EN 60715; silver-colored



**Item No.: 210-197**  
 Steel carrier rail; 35 x 15 mm; 1.5 mm thick; 2 m long; slotted; similar to EN 60715; silver-colored



**Item No.: 210-506**  
 Steel carrier rail; 35 x 15 mm; 1.5 mm thick; 2 m long; unslotted; galvanized; similar to EN 60715; silver-colored



**Item No.: 210-114**  
 Steel carrier rail; 35 x 15 mm; 1.5 mm thick; 2 m long; unslotted; similar to EN 60715; silver-colored



**Item No.: 210-118**  
 Steel carrier rail; 35 x 15 mm; 2.3 mm thick; 2 m long; unslotted; according to EN 60715; silver-colored



**Item No.: 210-115**  
 Steel carrier rail; 35 x 7.5 mm; 1 mm thick; 2 m long; slotted; according to EN 60715; "Hole width 18 mm; silver-colored



**Item No.: 210-112**  
 Steel carrier rail; 35 x 7.5 mm; 1 mm thick; 2 m long; slotted; according to EN 60715; "Hole width 25 mm; silver-colored



**Item No.: 210-504**  
 Steel carrier rail; 35 x 7.5 mm; 1 mm thick; 2 m long; slotted; galvanized; according to EN 60715; silver-colored



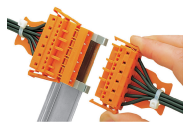
**Item No.: 210-113**  
 Steel carrier rail; 35 x 7.5 mm; 1 mm thick; 2 m long; unslotted; according to EN 60715; silver-colored



**Item No.: 210-505**  
 Steel carrier rail; 35 x 7.5 mm; 1 mm thick; 2 m long; unslotted; galvanized; according to EN 60715; silver-colored

## Installation Notes

### Application



Female connectors with locking levers