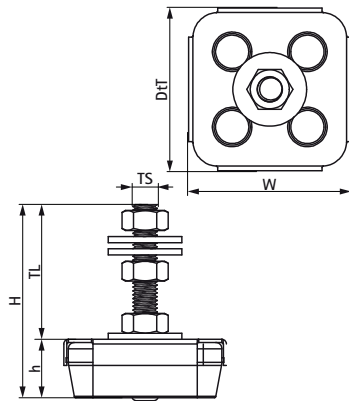


Walraven VibraTek® MR-L 1000/M8 Rubber Levelling Mount

(L20518)

rubber mount with M8 connection for equipment isolation and levelling



Features & benefits

- recommended for machinery with working speeds above 2500 rpm, providing a degree of vibration insulation from 75% to 80%
- simple to install and does not need to be fixed to the supporting structure
- rubber isolator with DIN 934 nuts and DIN 9012 washers included in delivery for mounting and levelling equipment
- metal and rubber parts can be separated for recycling
- hardness 45 Shore A
- Working temperature range -20 °C till 90 °C

Product Number	Thread Size	Total Width x Total Height x Total Depth	Height	Thread Length	Recommended Mini- mum Load Faz	Recommended Maxi- mum Load Faz	Maximum Static Deflection
<i>Reference letter</i>	<i>TS</i>	<i>W x H x DtT</i>	<i>h</i>	<i>TL</i>			<i>4</i>
<i>Unit description</i>		<i>mm x mm x mm</i>	<i>mm</i>	<i>mm</i>	<i>N</i>	<i>N</i>	<i>mm</i>
2800101000	M8	53 x 63 x 53	19	44	100	800	4