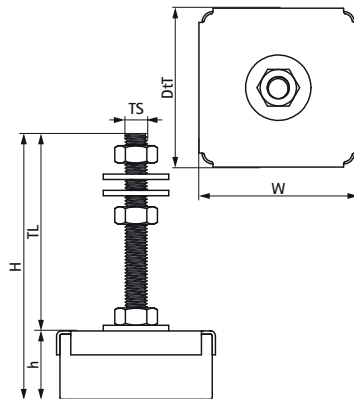


Walraven VibraTek® MR-L 3000/M10 Rubber Levelling Mount

(L20521)

rubber mount with M10 connection for equipment isolation and levelling



Features & benefits

- recommended for machinery with working speeds above 2500 rpm, providing a degree of vibration insulation from 75% to 80%
- simple to install and does not need to be fixed to the supporting structure
- rubber isolator with DIN 934 nuts and DIN 9012 washers included in delivery for mounting and levelling equipment
- metal and rubber parts can be separated for recycling
- hardness 45 Shore A
- working temperature range -20 °C till 90 °C

Product Number	Thread Size	Total Width x Total Height x Total Depth	Height	Thread Length	Recommended Minimum Load Faz	Recommended Maximum Load Faz	Maximum Static Deflection
<i>Reference letter</i>	TS	$W \times H \times DtT$	h	TL			7.5
<i>Unit description</i>		$mm \times mm \times mm$	mm	mm	N	N	mm
2800103000	M10	73 x 122 x 73	32	90	100	2,500	7.5