



## Features

- Quantum is a range of recessed integrated LED panels for general indoor lighting applications such as breakout areas, offices and meeting rooms. With the help of DIP Switch multiple lumen outputs can be set up in 4 steps (22W 3400lm, 24W 3750lm, 26W 4100lm, 28W 4500lm). Max. drive current: 600mA; Lifespan: 120.000Hrs L70:B50; 4000K; CRI 80; Efficacy up to: 161Lm/W; Glare control <19; IK03; IP54 (from the front); Class II; Tp(a) rated diffuser that self-extinguishes within 5 sec when a flame has been removed.

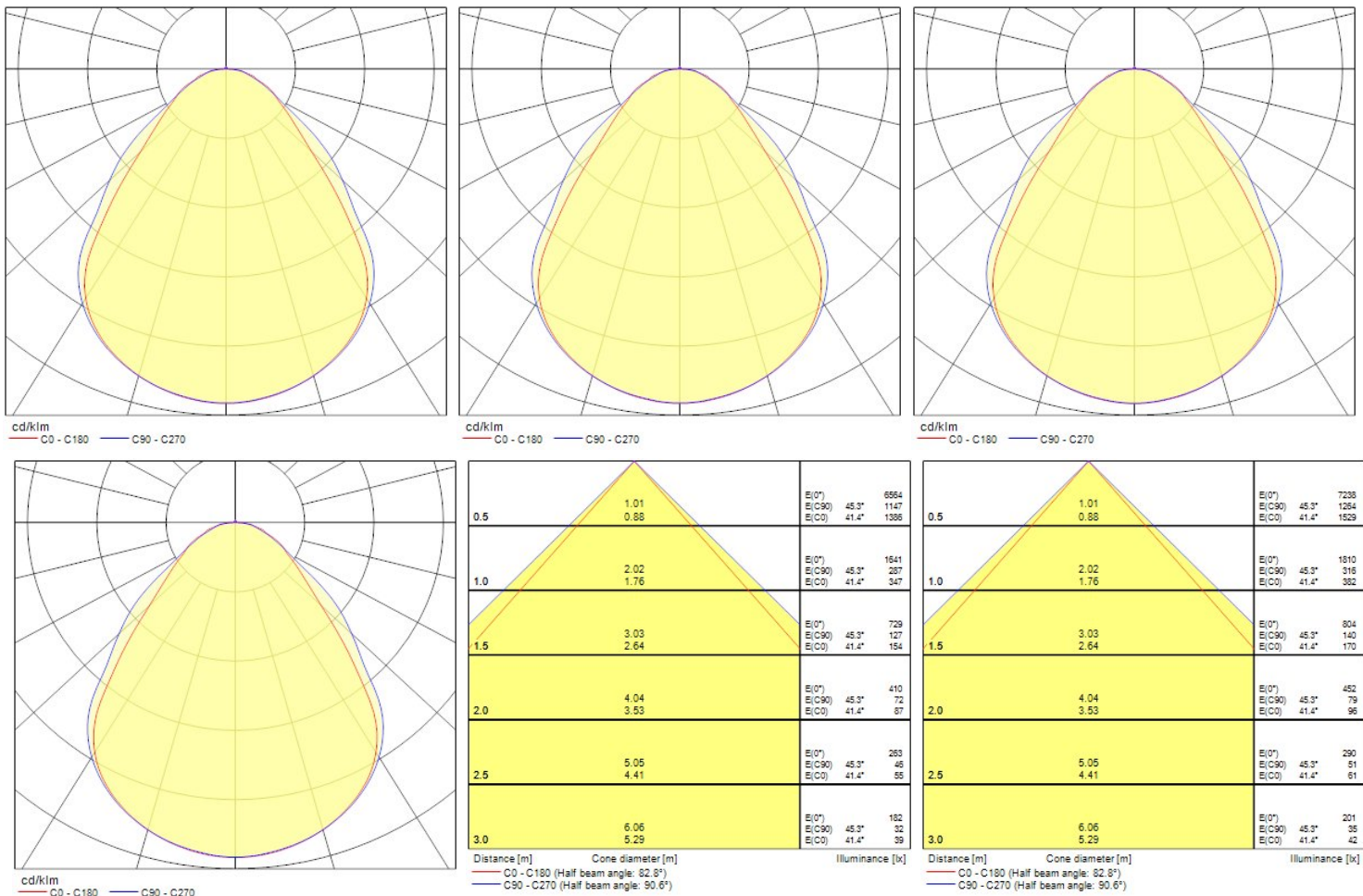
## Product Overview

Product name	Quantum 600x600 Multipower 4500lm 840
Technology	LED (3 SDCM)
Cap/Base	N/A
Housing	Steel
Mount	Ceiling recessed mounting
General application	Office, Education
ETIM Class	EC002892
E-number FI	4279423
Fixture luminous flux (lm)	4500
Luminaire efficacy (lm/W)	161
Colour temperature (K)	4000
Light colour	Neutral White
CRI (Ra)	80
Colour Variation Initial (SDCM)	3
Beam Angle (°)	85
Glare control	< 19
Photobiological Risk Group	RG0
Total power consumption (W)	28
Electrical protection	Class II
Control gear type	LED driver constant current

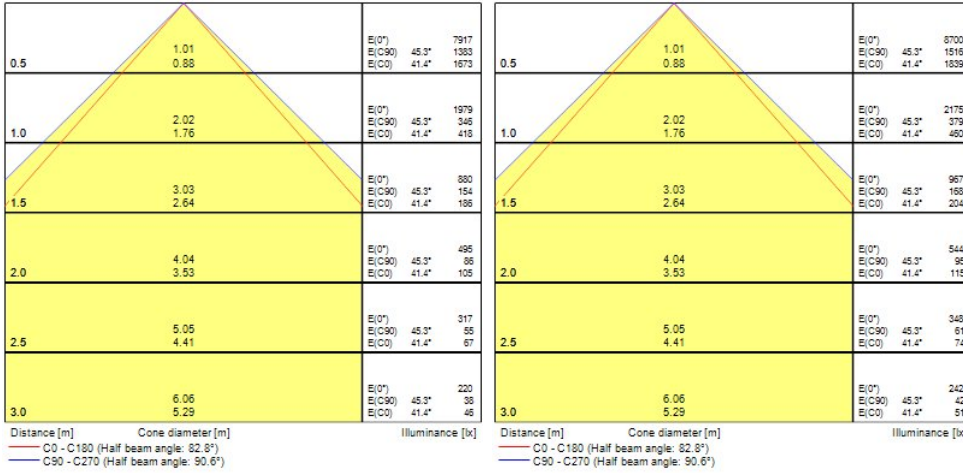
## Quantum 600x600 Multipower 4500lm 840 0044640

Dimmable	No
LED Flickering Rate	Ultra low (5% or less)
Housing colour	RAL 9003 - Signal white
IP rating	IP54/20
IK rating	IK03
Product EAN number	5410288446400
Warranty	5 years
Dimming method	N/A

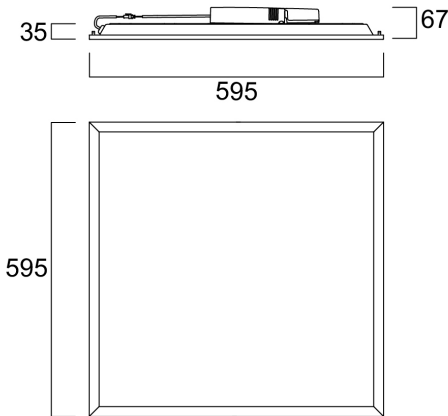
### Photometry



## Quantum 600x600 Multipower 4500lm 840 0044640



### Technical drawings



### Data table

#### GENERAL DATA

Product name	Quantum 600x600 Multipower 4500lm 840
Technology	LED (3 SDCM)
Cap/Base	N/A
Housing	Steel

## Quantum 600x600 Multipower 4500lm 840 0044640

Mount	Ceiling recessed mounting
General application	Office, Education
Operating temperature range (°C)	-20°C...+40°C
ETIM Class	EC002892
E-number FI	4279423
Warranty	5 years

### OPTICAL DATA

Fixture luminous flux (lm)	4500
Luminaire efficacy (lm/W)	161
Colour temperature (K)	4000
Light colour	Neutral White
CRI (Ra)	80
Colour Variation Initial (SDCM)	3
Beam Angle (°)	85
Distribution type	Symmetric
Glare control	< 19
Photobiological Risk Group	RG0

### ELECTRICAL DATA

Total power consumption (W)	28
Primary Supply/Product voltage - min (V)	220.0
Primary Supply/Product voltage - max (V)	240.0
Lamp power factor	0.9
THD (at 230 V, 50 Hz, full load, at 100% dimming level) ≤ xx.x %	20.0
Electrical protection	Class II
Control gear required	No
Control gear type	LED driver constant current
Dimmable	No
Dimming method	N/A
Drive current (mA)	600
Inrush Current (A)	11.9
Inrush Duration (µs)	390

## Quantum 600x600 Multipower 4500lm 840 0044640

Glow Wire Test (°C)	650
Energy Efficiency Class (A->G) of contained light source	A
Nominal Frequency (Hz)	50/60Hz
LED Flickering Rate	Ultra low (5% or less)
Max. products per 10A C Breaker	18
Max. products per 16A C Breaker	29
Max. products per 16A B Breaker	17
Connectable conductor cross section - Max (mm <sup>2</sup> )	1.5

### LIFETIME DATA

Lifespan L70 B50	120000
Lifespan L70 B20	120000
Lifespan L70 B10	120000
Lifespan L80 B50	105000
Lifespan L80 B20	95000
Lifespan L80 B10	85000
Lifespan L90 B50	51000
Lifespan L90 B20	47000
Lifespan L90 B10	44000

### PHYSICAL DATA

Housing colour	RAL 9003 - Signal white
IP rating	IP54/20
IK rating	IK03
Diffuser finish	Diffuse
Diffuser material	PS Polystyrene
Nominal Product Length (mm)	595
Nominal Product Width (mm)	595
Nominal Product Height (mm)	35
Weight (kg)	2.11

### PACKAGING

## Quantum 600x600 Multipower 4500lm 840 0044640

Single packaging type	Carton
Product EAN number	5410288446400
Packaging single length / height (cm)	64.3
Packaging single width (cm)	3.5
Packaging single depth (cm)	59.8
DUN14 (outer)	15410288446407
Units per outer package	4
Packaging outer length / height (cm)	66.3
Packaging outer width (cm)	16.2
Packaging outer depth (cm)	62.8

### SAFETY DATA

Optimal operating condition (°C)	-20-40
Special purpose lamp	No
Dry applications use only	No
Suitable for household illumination	No