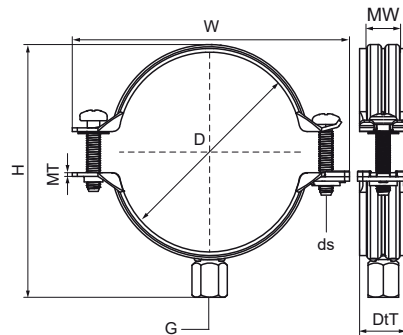


## Walraven Bifix® G2 (M8/10) (BUP1000)

(B0504)

for insulated, steel and cast iron pipes



### Features & benefits

- two-screw clamp
- with quick locking system
- perfect solution for pipe supports, also for outdoor installations
- material: steel
- product is part of the Walraven BIS UltraProtect® 1000 system
- suitable for in- and outdoor applications
- stands min. 1,000 hours salt spray test (max. 5% red rust) according to ISO 9227



Product Number	NRF Number	Outside Pipe Diameter	DN	Pipe Diameter Imperial	Connection Thread	Total Height	Total Width	Total Depth	Material Width	Material Thickness	Screw Size	Maximum Allowed Load Faz	Approvals
Reference Letter		D	D	D	G	H	W	DtT	MW	MT	ds	Fa,z	
Unit description		mm		"		mm	mm	mm	mm	mm		N	
3008014	3484322	10 - 14	DN 8	1/4	M8/M10	36	52	22	20	1.25	M6	1,200	RAL-GZ 655/B, CE, ETA, EPD
3008019	3484323	15 - 19	DN 10	3/8	M8/M10	41	59	22	20	1.25	M6	1,200	RAL-GZ 655/B, CE, ETA, EPD
3008023	3484324	20 - 23	DN 15	1/2	M8/M10	45	63	22	20	1.25	M6	1,200	RAL-GZ 655/B, CE, ETA, EPD
3008028	3484325	25 - 28	DN 20	3/4	M8/M10	50	68	22	20	1.25	M6	1,200	RAL-GZ 655/B, CE, ETA, EPD
3008035	3484326	31 - 35	DN 25	1	M8/M10	61	74	22	20	1.25	M6	1,200	RAL-GZ 655/B, CE, ETA, EPD
3008039	3484327	36 - 39	-	-	M8/M10	66	80	22	20	1.25	M6	1,200	RAL-GZ 655/B, CE, ETA, EPD
3008045	3484328	40 - 45	DN 32	1 1/4	M8/M10	70	84	22	20	1.25	M6	1,200	RAL-GZ 655/B, CE, ETA, EPD
3008052	3484329	48 - 52	DN 40	1 1/2	M8/M10	76	91	22	20	1.25	M6	1,200	RAL-GZ 655/B, CE, ETA, EPD
3008058	3484331	54 - 58	-	-	M8/M10	83	97	22	20	1.25	M6	1,200	RAL-GZ 655/B, CE, ETA, EPD
3008064	3484332	60 - 64	DN 50	2	M8/M10	88	104	22	20	1.25	M6	1,200	RAL-GZ 655/B, CE, ETA, EPD
3008070	3484333	66 - 70	-	-	M8/M10	95	110	22	20	1.25	M6	1,200	RAL-GZ 655/B, CE, ETA, EPD
3008079	3484334	75 - 79	DN 65	2 1/2	M8/M10	107	118	22	20	1.50	M6	1,300	RAL-GZ 655/B, CE, ETA, EPD
3008083	3484335	80 - 83	-	-	M8/M10	108	125	22	20	1.50	M6	1,300	RAL-GZ 655/B, CE, ETA, EPD
3008091	3484336	88 - 91	DN 80	3	M8/M10	123	134	26	23	2.00	M6	1,800	RAL-GZ 655/B, CE, ETA, EPD
3008105	3484337	100 - 105	-	-	M8/M10	135	148	26	23	2.00	M6	1,800	RAL-GZ 655/B, CE, ETA, EPD
3008115	3484338	108 - 115	DN 100	4	M8/M10	147	155	26	23	2.00	M6	1,800	RAL-GZ 655/B, CE, ETA, EPD
3008130	3484339	125 - 130	-	-	M8/M10	164	172	26	23	2.00	M6	1,800	RAL-GZ 655/B, CE, ETA, EPD
3008140	3484341	133 - 140	DN 125	5	M8/M10	171	181	26	23	2.00	M6	1,800	RAL-GZ 655/B, CE, ETA, EPD
3008160	3484342	152 - 160	-	-	M8/M10	190	201	26	23	2.00	M6	1,800	RAL-GZ 655/B, CE, ETA, EPD
3008169	3484343	165 - 169	DN 150	6	M8/M10	204	217	28	25	2.50	M8	3,600	RAL-GZ 655/B, CE, ETA, EPD
3008180	3484344	176 - 180	-	-	M8/M10	216	229	28	25	2.50	M8	3,600	RAL-GZ 655/B, CE, ETA, EPD

# Walraven Bifix® G2 (M8/10) (BUP1000)

(B0504)

for insulated, steel and cast iron pipes

Product Number	NRF Number	Outside Pipe Diameter	DN	Pipe Diameter Imperial	Connection Thread	Total Height	Total Width	Total Depth	Material Width	Material Thickness	Screw Size	Maximum Allowed Load Faz	Approvals
<i>Reference Letter</i>		<i>D</i>	<i>D</i>	<i>D</i>	<i>G</i>	<i>H</i>	<i>W</i>	<i>DiT</i>	<i>MW</i>	<i>MT</i>	<i>ds</i>	<i>Fa,z</i>	
<i>Unit description</i>		<i>mm</i>		<i>"</i>		<i>mm</i>	<i>mm</i>	<i>mm</i>	<i>mm</i>	<i>mm</i>		<i>N</i>	
3008200	3484345	192 - 200	-	-	M8/M10	233	248	28	25	2.50	M8	3,600	RAL-GZ 655/B, CE, ETA, EPD
3008210	3484346	205 - 210	-	-	M8/M10	248	261	28	25	2.50	M8	3,600	RAL-GZ 655/B, CE, ETA, EPD
3008225	3484347	219 - 225	DN 200	8	M8/M10	260	275	28	25	2.50	M8	3,600	RAL-GZ 655/B, CE, ETA, EPD