

Features

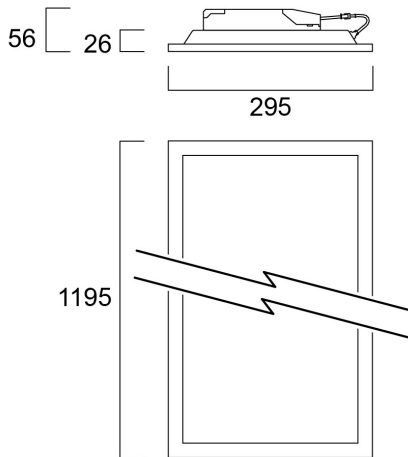
- LED Panel with backlit technology, ideal for general indoor lighting applications such as breakout areas, offices and meeting rooms. Extruded aluminium frame, passive cooling. Low glaring UGR<19. RG0, 90 degree beam angle, optical system: PS diffuser with Prismatic finish. Light color temperature: 4000K Neutral White, total system power: 29W, total fixture output: 3800lm, efficacy: 131 lm/W, Ra80 typical, LED chromacity: 3 step MacAdam ellipse (SDCM3), lifespan: 100,000 hours at 70% of the original output (L70B50), IR/UV free light source without heat radiation, operating voltage: 220-240V / 50-60Hz, low flicker, DALI dimmable driver, electrical protection: Class II. Degree of Protection: IP40/IP20, suitable for indoor environment only. Nominal size: 1195x295mm, Loop in / loop out wiring, safety cables & quick connector included, 26mm nominal height, White color frame, weight: 1,97Kg.

Product Overview

Product name	START Panel UGR19 1200x300 DALI 3800lm 840
Technology	LED (3 SDCM)
Cap/Base	N/A
Housing	Steel
Mount	Ceiling recessed mounting, Suspended
General application	Education, Office
ETIM Class	EC002892
E-number FI	4279399
Fixture luminous flux (lm)	3800
Luminaire efficacy (lm/W)	131
Colour temperature (K)	4000
Light colour	Neutral White

START Panel UGR19 1200x300 DALI 3800lm 840 0044631

Technical drawings



Data table

GENERAL DATA

Product name	START Panel UGR19 1200x300 DALI 3800lm 840
Technology	LED (3 SDCM)
Cap/Base	N/A
Housing	Steel
Mount	Ceiling recessed mounting, Suspended
General application	Education, Office
Operating temperature range (°C)	-10°C...+45°C
ETIM Class	EC002892
E-number FI	4279399
Warranty	5 years

OPTICAL DATA

Fixture luminous flux (lm)	3800
Luminaire efficacy (lm/W)	131
Colour temperature (K)	4000
Light colour	Neutral White

START Panel UGR19 1200x300 DALI 3800lm 840 0044631

CRI (Ra)	80
Colour Variation Initial (SDCM)	3
Beam Angle (°)	90
Distribution type	Symmetric
Glare control	< 19
Photobiological Risk Group	RG0

ELECTRICAL DATA

Total power consumption (W)	29
Primary Supply/Product voltage - min (V)	220.0
Primary Supply/Product voltage - max (V)	240.0
Lamp power factor	0.9
THD (at 230 V, 50 Hz, full load, at 100% dimming level) ≤ xx.x %	15.0
Electrical protection	Class II
Control gear required	No
Control gear type	LED driver constant current
Dimmable	Yes
Dimming method	DALI-2
Drive current (mA)	700
Inrush Current (A)	5.6
Inrush Duration (µs)	50
Glow Wire Test (°C)	650
Energy Efficiency Class (A->G) of contained light source	D
Nominal Frequency (Hz)	50/60Hz
LED Flickering Rate	Ultra low (5% or less)
Max. products per 10A C Breaker	37
Max. products per 16A C Breaker	59
Max. products per 16A B Breaker	59
Connectable conductor cross section - Max (mm ²)	1.5

LIFETIME DATA

START Panel UGR19 1200x300 DALI 3800lm 840 0044631

Lifespan L70 B50	100000
Lifespan L70 B20	100000
Lifespan L70 B10	100000
Lifespan L80 B50	94000
Lifespan L80 B20	76000
Lifespan L80 B10	67000
Lifespan L90 B50	45000
Lifespan L90 B20	37000
Lifespan L90 B10	33000

PHYSICAL DATA

Housing colour	RAL9003
IP rating	IP40/20
IK rating	IK03
Diffuser finish	Diffuse
Diffuser material	PS Polystyrene
Nominal Product Length (mm)	1195
Nominal Product Width (mm)	295
Nominal Product Height (mm)	26
Weight (kg)	1.968

PACKAGING

Single packaging type	Carton
Product EAN number	5410288446318
Packaging single length / height (cm)	120.7
Packaging single width (cm)	38.5
Packaging single depth (cm)	3.8
DUN14 (outer)	15410288446315
Units per outer package	4
Packaging outer length / height (cm)	123.5
Packaging outer width (cm)	41.5
Packaging outer depth (cm)	17.0

SAFETY DATA

START Panel UGR19 1200x300 DALI 3800lm 840 0044631

Optimal operating condition (°C)	-10-45
Special purpose lamp	No
Dry applications use only	No
Suitable for household illumination	No