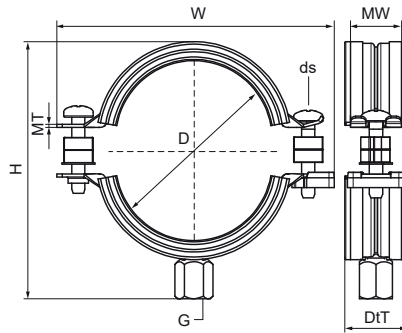
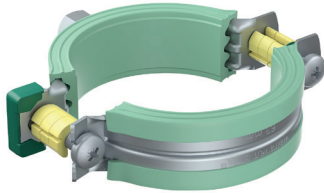


## Walraven Bifix® 5000 G2 (BUP1000) (M8/M10)

(A2509)

for plastic pipes



### Features & benefits

- two-screw clamp
- with quick locking system
- with removable spacer washers, making the clamp suitable for either sliding or anchoring
- material: steel
- product is part of the Walraven BIS UltraProtect® 1000 system
- suitable for in- and outdoor applications
- stands min. 1,000 hours salt spray test (max. 5% red rust) according to ISO 9227
- sound insulating lining according DIN 4109

## EPD

Product Number	NRF Number	Outside Pipe Diameter	Connection Thread	Total Height	Total Width	Total Depth	Material Width	Material Thickness	Screw Size	Maximum Allowed Load Faz	Approvals
Reference Letter		D	G	H	W	DtT	MW	MT	ds	F <sub>0,z</sub>	
Unit description		mm		mm	mm	mm	mm	mm		N	
3188016	3484804	16	M8/M10	56	63	25	20	1.25	M6	600	EPD
3188020	3484805	20	M8/M10	61	68	25	20	1.25	M6	600	EPD
3188025	3484806	25	M8/M10	67	74	25	20	1.25	M6	600	EPD
3188032	3484807	32	M8/M10	76	84	25	20	1.25	M6	600	EPD
3188040	3484808	40	M8/M10	81	91	25	20	1.25	M6	600	EPD
3188050	3484809	50	M8/M10	94	97	25	20	1.25	M6	600	EPD
3188056	3484811	56	M8/M10	99	104	25	20	1.25	M6	600	EPD
3188063	3484812	63	M8/M10	106	109	25	20	1.25	M6	600	EPD
3188075	3484813	75	M8/M10	118	125	25	20	1.50	M6	600	EPD
3188090	3484814	90	M8/M10	135	142	28	23	2.00	M6	1,400	EPD
3188110	3484815	110	M8/M10	153	164	28	23	2.00	M6	1,400	EPD
3188125	3484816	125	M8/M10	159	181	28	23	2.00	M6	1,400	EPD
3188135	3484817	135	M8/M10	179	191	28	23	2.00	M6	1,400	EPD
3188160	3484818	160	M8/M10	210	225	30	25	2.50	M8	1,700	EPD
3188058	1378393	58	M8/M10	106	109	25	20	1.25	M6	600	EPD
3188078	1378394	78	M8/M10	120	131	25	20	1.50	M6	600	EPD
3188200	1378395	200	M10	246	269	30	25	2.50	M8	1,700	EPD