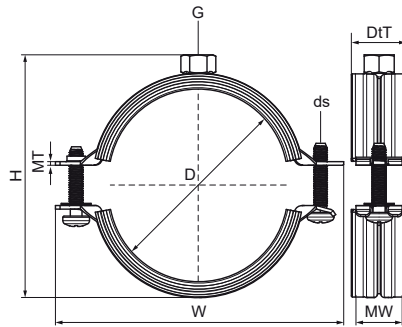


Walraven 2S Clamp with Lining (M8)

(A05132)

for steel, copper, cast iron and plastic (multilayer) pipe



Features & benefits

- gapless range
- rubber lining grips in steel parts to prevent sliding of the lining
- anti loss washers prevent screws from falling out during installation
- material: steel
- zinc plated
- temperature resistance from -30 °C to +120 °C
- sound insulating lining according DIN 4109
- noise reduction according to ISO 3822-1 up to 22 dB(A)



| Product Number | Outside Pipe Diameter | DN | Pipe Diameter Imperial | Connection Thread | Total Height | Total Width | Total Depth | Material Width | Material Thickness | Screw Size | Maximum Allowed Load Faz | Approvals |
|------------------|-----------------------|-------|------------------------|-------------------|--------------|-------------|-------------|----------------|--------------------|------------|--------------------------|----------------|
| Reference Letter | D | D | D | G | H | W | DtT | MW | MT | ds | F _{0,z} | |
| Unit description | mm | | " | | mm | mm | mm | mm | mm | | N | |
| 33335014 | 10 - 14 | DN 8 | 1/4 | M8 | 32 | 51 | 23 | 20 | 1.00 | M5 | 330 | ITB (KOT), EPD |
| 33335019 | 15 - 19 | DN 10 | 3/8 | M8 | 37 | 56 | 23 | 20 | 1.00 | M5 | 330 | ITB (KOT), EPD |
| 33335024 | 20 - 24 | DN 15 | 1/2 | M8 | 43 | 62 | 23 | 20 | 1.00 | M5 | 330 | ITB (KOT), EPD |
| 33335030 | 25 - 30 | DN 20 | 3/4 | M8 | 50 | 69 | 23 | 20 | 1.00 | M5 | 330 | ITB (KOT), EPD |
| 33335037 | 31 - 37 | DN 25 | 1 | M8 | 56 | 75 | 23 | 20 | 1.00 | M5 | 330 | ITB (KOT), EPD |
| 33335046 | 38 - 46 | DN 32 | 1 1/4 | M8 | 66 | 84 | 23 | 20 | 1.25 | M5 | 500 | ITB (KOT), EPD |
| 33335052 | 47 - 52 | DN 40 | 1 1/2 | M8 | 75 | 93 | 23 | 20 | 1.25 | M5 | 500 | ITB (KOT), EPD |
| 33335061 | 53 - 61 | DN 50 | 2 | M8 | 81 | 99 | 23 | 20 | 1.25 | M5 | 500 | ITB (KOT), EPD |
| 33335067 | 62 - 67 | - | - | M8 | 87 | 106 | 23 | 20 | 1.25 | M5 | 500 | ITB (KOT), EPD |