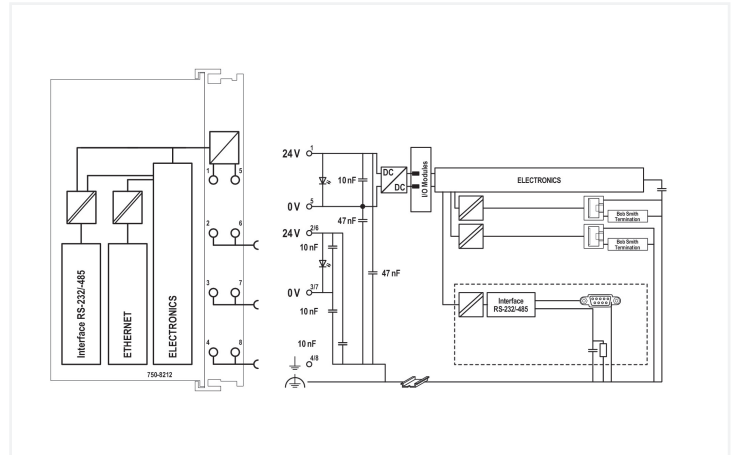


# Data Sheet | Item Number: 750-8212/025-001

Controller PFC200; 2nd Generation; 2 x ETHERNET, RS-232/-485; Telecontrol technology; Ext. Temperature

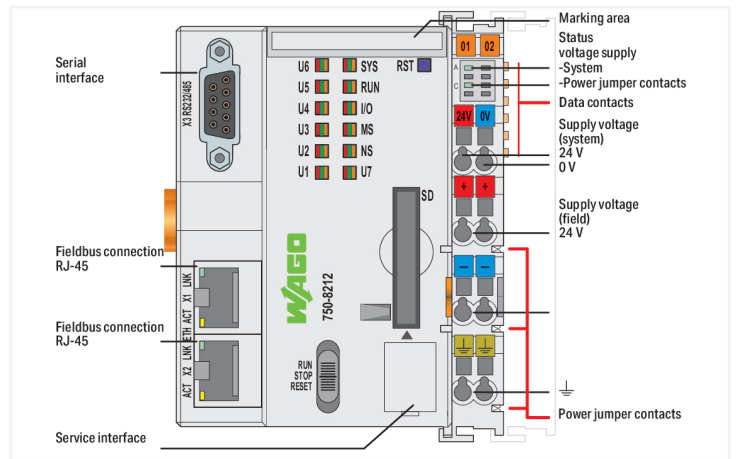
<https://www.wago.com/750-8212/025-001>



Similar to illustration

PFC200 Communication Options Overview

Option	Part No.	Description	Ordering	Notes
RS-232C	750-8212-001	RS-232C interface	Standard	
RS-485	750-8212-002	RS-485 interface	Standard	
ETHERNET	750-8212-003	ETHERNET interface	Standard	
ETHERNET	750-8212-004	ETHERNET interface	Standard	
ETHERNET	750-8212-005	ETHERNET interface	Standard	
ETHERNET	750-8212-006	ETHERNET interface	Standard	
ETHERNET	750-8212-007	ETHERNET interface	Standard	
ETHERNET	750-8212-008	ETHERNET interface	Standard	
ETHERNET	750-8212-009	ETHERNET interface	Standard	
ETHERNET	750-8212-010	ETHERNET interface	Standard	
ETHERNET	750-8212-011	ETHERNET interface	Standard	
ETHERNET	750-8212-012	ETHERNET interface	Standard	
ETHERNET	750-8212-013	ETHERNET interface	Standard	
ETHERNET	750-8212-014	ETHERNET interface	Standard	
ETHERNET	750-8212-015	ETHERNET interface	Standard	
ETHERNET	750-8212-016	ETHERNET interface	Standard	
ETHERNET	750-8212-017	ETHERNET interface	Standard	
ETHERNET	750-8212-018	ETHERNET interface	Standard	
ETHERNET	750-8212-019	ETHERNET interface	Standard	
ETHERNET	750-8212-020	ETHERNET interface	Standard	
ETHERNET	750-8212-021	ETHERNET interface	Standard	
ETHERNET	750-8212-022	ETHERNET interface	Standard	
ETHERNET	750-8212-023	ETHERNET interface	Standard	
ETHERNET	750-8212-024	ETHERNET interface	Standard	
ETHERNET	750-8212-025	ETHERNET interface	Standard	
ETHERNET	750-8212-026	ETHERNET interface	Standard	
ETHERNET	750-8212-027	ETHERNET interface	Standard	
ETHERNET	750-8212-028	ETHERNET interface	Standard	
ETHERNET	750-8212-029	ETHERNET interface	Standard	
ETHERNET	750-8212-030	ETHERNET interface	Standard	
ETHERNET	750-8212-031	ETHERNET interface	Standard	
ETHERNET	750-8212-032	ETHERNET interface	Standard	
ETHERNET	750-8212-033	ETHERNET interface	Standard	
ETHERNET	750-8212-034	ETHERNET interface	Standard	
ETHERNET	750-8212-035	ETHERNET interface	Standard	
ETHERNET	750-8212-036	ETHERNET interface	Standard	
ETHERNET	750-8212-037	ETHERNET interface	Standard	
ETHERNET	750-8212-038	ETHERNET interface	Standard	
ETHERNET	750-8212-039	ETHERNET interface	Standard	
ETHERNET	750-8212-040	ETHERNET interface	Standard	
ETHERNET	750-8212-041	ETHERNET interface	Standard	
ETHERNET	750-8212-042	ETHERNET interface	Standard	
ETHERNET	750-8212-043	ETHERNET interface	Standard	
ETHERNET	750-8212-044	ETHERNET interface	Standard	
ETHERNET	750-8212-045	ETHERNET interface	Standard	
ETHERNET	750-8212-046	ETHERNET interface	Standard	
ETHERNET	750-8212-047	ETHERNET interface	Standard	
ETHERNET	750-8212-048	ETHERNET interface	Standard	
ETHERNET	750-8212-049	ETHERNET interface	Standard	
ETHERNET	750-8212-050	ETHERNET interface	Standard	
ETHERNET	750-8212-051	ETHERNET interface	Standard	
ETHERNET	750-8212-052	ETHERNET interface	Standard	
ETHERNET	750-8212-053	ETHERNET interface	Standard	
ETHERNET	750-8212-054	ETHERNET interface	Standard	
ETHERNET	750-8212-055	ETHERNET interface	Standard	
ETHERNET	750-8212-056	ETHERNET interface	Standard	
ETHERNET	750-8212-057	ETHERNET interface	Standard	
ETHERNET	750-8212-058	ETHERNET interface	Standard	
ETHERNET	750-8212-059	ETHERNET interface	Standard	
ETHERNET	750-8212-060	ETHERNET interface	Standard	
ETHERNET	750-8212-061	ETHERNET interface	Standard	
ETHERNET	750-8212-062	ETHERNET interface	Standard	
ETHERNET	750-8212-063	ETHERNET interface	Standard	
ETHERNET	750-8212-064	ETHERNET interface	Standard	
ETHERNET	750-8212-065	ETHERNET interface	Standard	
ETHERNET	750-8212-066	ETHERNET interface	Standard	
ETHERNET	750-8212-067	ETHERNET interface	Standard	
ETHERNET	750-8212-068	ETHERNET interface	Standard	
ETHERNET	750-8212-069	ETHERNET interface	Standard	
ETHERNET	750-8212-070	ETHERNET interface	Standard	
ETHERNET	750-8212-071	ETHERNET interface	Standard	
ETHERNET	750-8212-072	ETHERNET interface	Standard	
ETHERNET	750-8212-073	ETHERNET interface	Standard	
ETHERNET	750-8212-074	ETHERNET interface	Standard	
ETHERNET	750-8212-075	ETHERNET interface	Standard	
ETHERNET	750-8212-076	ETHERNET interface	Standard	
ETHERNET	750-8212-077	ETHERNET interface	Standard	
ETHERNET	750-8212-078	ETHERNET interface	Standard	
ETHERNET	750-8212-079	ETHERNET interface	Standard	
ETHERNET	750-8212-080	ETHERNET interface	Standard	
ETHERNET	750-8212-081	ETHERNET interface	Standard	
ETHERNET	750-8212-082	ETHERNET interface	Standard	
ETHERNET	750-8212-083	ETHERNET interface	Standard	
ETHERNET	750-8212-084	ETHERNET interface	Standard	
ETHERNET	750-8212-085	ETHERNET interface	Standard	
ETHERNET	750-8212-086	ETHERNET interface	Standard	
ETHERNET	750-8212-087	ETHERNET interface	Standard	
ETHERNET	750-8212-088	ETHERNET interface	Standard	
ETHERNET	750-8212-089	ETHERNET interface	Standard	
ETHERNET	750-8212-090	ETHERNET interface	Standard	
ETHERNET	750-8212-091	ETHERNET interface	Standard	
ETHERNET	750-8212-092	ETHERNET interface	Standard	
ETHERNET	750-8212-093	ETHERNET interface	Standard	
ETHERNET	750-8212-094	ETHERNET interface	Standard	
ETHERNET	750-8212-095	ETHERNET interface	Standard	
ETHERNET	750-8212-096	ETHERNET interface	Standard	
ETHERNET	750-8212-097	ETHERNET interface	Standard	
ETHERNET	750-8212-098	ETHERNET interface	Standard	
ETHERNET	750-8212-099	ETHERNET interface	Standard	
ETHERNET	750-8212-100	ETHERNET interface	Standard	



The PFC200 Controller is a compact PLC for the modular WAGO I/O System. Besides network and fieldbus interfaces, the controller supports all digital, analog and specialty modules found within the 750/753 Series.

Two ETHERNET interfaces and an integrated switch enable line topology wiring.

An integrated Webserver provides user configuration options, while displaying PFC200 status information.

Besides the processing industry and building automation, typical applications for the PFC200 include standard machinery and equipment control (e.g., packaging, bottling and manufacturing systems, as well as textile, metal and wood processing machines).

Programming per IEC 61131-3

- Programmable with CODESYS V3.5 from Firmware Release 23, WAGO-I/O-PRO V2.3 or **e!COCKPIT** up to Firmware Release 22
- Direct connection of WAGO's I/O modules
- 2 x ETHERNET (configurable), RS-232/-485
- Linux operating system with PREEMPT\_RT patch
- Configuration via CODESYS or Web-Based Management user interface
- Maintenance-free

Technical data	
Communications	Modbus TCP master/slave Modbus (UDP), WagoAppPlicModbus Library Modbus (RTU), WagoAppPlicModbus Library ETHERNET EtherNet/IP™ Adapter (slave) EtherNet/IP™ Scanner EtherCAT® Master OPC UA Server/Client OPC UA Pub/Sub (can be installed later) MQTT Telecontrol protocols RS-232 serial interface RS-485 interface BACnet/IP, <b>requires an additional license</b>
ETHERNET protocols	DHCP DNS NTP FTP FTPS SNMP HTTP HTTPS SSH
Telecontrol protocols	IEC 60870 IEC 61850 DNP3
Visualization	Web-Visu
Operating system	Real-time Linux (with PREEMPT_RT patch)
CPU	Cortex A8; 1 GHz
Programming languages per IEC 61131-3	Instruction List (IL) Ladder Diagram (LD) Function Block Diagram (FBD) Continuous Function Chart (CFC) Structured Text (ST) Sequential Function Chart (SFC)
Programming environment	CODESYS V3.5, Firmware Release 23 or higher <b>e!COCKPIT</b> (based on CODESYS V3) up to Firmware Release 22 WAGO-I/O-PRO V2.3 (based on CODESYS V2.3), up to Firmware Release 22
Configuration options	CODESYS V3 <b>e!COCKPIT</b> WAGO-I/O-CHECK Web-Based Management <b>e!RUNTIME</b> library CODESYS Library
Transmission rate	ETHERNET: 10/100 Mbit/s
Transmission medium (communication/fieldbus)	ETHERNET: Twisted pair S-UTP; 100 Ω; Cat. 5; 100 m maximum cable length
Main memory (RAM)	512 MB
Internal memory (flash)	4096 MB
Non-volatile hardware memory	128 KB
Program memory	CODESYS V2: 16 MB; CODESYS V3: 32 MB
Data memory	CODESYS V2: 64 MB; CODESYS V3: 128 MB
Non-volatile software memory	128 KB
Non-volatile software memory	128 KB
Type of memory card	SD and SDHC up to 32 GB (all guaranteed properties only valid with WAGO's memory card)
Memory Card Slot	Push-push mechanism; cover lid (sealable)
Number of modules per node (max.)	250
Number of modules without a bus extension (max.)	64
Input and output process image (internal) max.	1000 words/1000 words
Input and output process image (Modbus®) max.	CODESYS V2: 1000 words/1000 words; CODESYS V3: 32000 words/32000 words
Drift – system clock (25 °C)	20 ppm
Drift – Real Time Clock (25 °C)	3 ppm
RTC backup time (25 °C)	30 days
Indicators	LED (SYS, RUN, I/O, U1 ... U7) red/green/orange: Status of system, program, local data bus, status programmable by user (can be used via CODESYS library); LED (A, B) green: Status of system power supply, field supply
Supply voltage (system)	24 VDC (-25 ... +30 %); via pluggable connector (CAGE CLAMP® connection)
Input current (typ.) at nominal load (24 V)	550 mA
Total current (system supply)	1700 mA

### Technical data

Supply voltage (field)	24 VDC (-25 ... +30 %); via power jumper contacts
Current carrying capacity (power jumper contacts)	10 A
Number of outgoing power jumper contacts	3
Isolation	500 V system/field

### Connection Data

Connection technology: communication/fieldbus	Modbus (TCP, UDP): 2 x RJ-45; Modbus RTU: 1 x D-sub 9 socket; RS-232 serial interface: 1 x D-sub 9 socket; RS-485 interface: 1 x D-sub 9 socket; Telecontrol protocol IEC 60870-5-101/-103: 1 x D-sub 9 socket; Telecontrol protocol IEC 60870-5-104: 1 x RJ-45; Telecontrol protocol IEC 61850: 1 x RJ-45; Telecontrol protocol DNP3: 1 x RJ-45 or D-sub 9 socket
Connection technology: system supply	2 x CAGE CLAMP®
Connection technology: field supply	6 x CAGE CLAMP®
Connectable conductor materials	Copper
Connection type	System/field supply
Solid conductor	0.08 ... 2.5 mm <sup>2</sup> / 28 ... 14 AWG
Fine-stranded conductor	0.08 ... 2.5 mm <sup>2</sup> / 28 ... 14 AWG
Strip length	8 ... 9 mm / 0.31 ... 0.35 inches
Connection technology: device configuration	1 x Male connector; 4-pole

### Physical data

Width	78.6 mm / 3.094 inches
Height	100 mm / 3.937 inches
Depth	71.9 mm / 2.831 inches
Depth from upper-edge of DIN-rail	64.7 mm / 2.547 inches

### Mechanical data

Mounting type	DIN-35 rail
---------------	-------------

### Material data

Housing material	Polycarbonate; polyamide 6.6
Fire load	2.088 MJ
Weight	218 g
Conformity marking	CE

### Environmental requirements

Ambient temperature (operation)	-20 ... +60 °C
Ambient temperature (storage)	-40 ... +85 °C
Protection type	IP20
Pollution degree	2 per IEC 61131-2
Operating altitude	without temperature derating: 0 ... 2000 m; with temperature derating: 2000 ... 5000 m (0.5 K/100 m); 5000 m (max.)
Mounting position	Horizontal left, horizontal right, horizontal top, horizontal bottom, vertical top and vertical bottom
Relative humidity (without condensation)	95 %
Relative humidity (with condensation)	Short-term condensation per Class 3K6/IEC EN 60721-3-3 and E-DIN 40046-721-3, accounting for a temperature range of -20 to +60 °C (except for wind-driven precipitation, water and ice formation)
Vibration resistance	4g per IEC 60068-2-6
Shock resistance	15g per IEC 60068-2-27
EMC immunity to interference	per EN 61000-6-2, marine applications
EMC emission of interference	per EN 61000-6-3, marine applications
Exposure to pollutants	per IEC 60068-2-42 and IEC 60068-2-43
Permissible H <sub>2</sub> S contaminant concentration at a relative humidity 75 %	10 ppm

### Environmental requirements

Permissible SO <sub>2</sub> contaminant concentration at a relative humidity 75 %	25 ppm
---	--------

### Commercial data

PU (SPU)	1 pcs
Packaging type	Box
Country of origin	IN
GTIN	4055143765039

### Product Classification

UNSPSC	32151705
eCl@ss 10.0	27-24-26-07
eCl@ss 9.0	27-24-26-07
ETIM 9.0	EC000236
ETIM 10.0	EC000236
ECCN	NO US CLASSIFICATION

### Environmental Product Compliance

CAS-No.	1303-86-2 1317-36-8 693-98-1 7439-92-1 79-94-7
REACH Candidate List Substance	2,2',6,6'-tetrabromo-4,4'-isopropylidenediphenol 2-methylimidazole Diboron trioxide Lead Lead monoxide Perfluorobutane sulfonic acid (PFBS) and its salts
RoHS Compliance Status	Compliant,With Exemption
RoHS Exemption	6(c) 7(a) 7(c)-I 7(c)-II
SCIP notification number (Austria)	33a73aaa-3201-4f06-bf11-19ff1d613c6c
SCIP notification number (Belgium)	ad51e8bf-8bff-416e-9fd9-bf58b9e4f29f
SCIP notification number (Bulgaria)	9efc58d2-6aea-42ed-afa2-939b3a738c15
SCIP notification number (Czech Republic)	3a2ecf12-f45f-4520-9110-0a38a306cd58
SCIP notification number (Denmark)	1c60bcb4-90e6-469a-a9d7-30bd8dcf0241
SCIP notification number (Finland)	c5959470-afaf-422a-bdec-4264d90597ad
SCIP notification number (France)	c71b33d6-8387-47da-90f6-0a07fa0fba67
SCIP notification number (Germany)	4778bbe-f0f1-41c1-8b6f-8eed1c41bc04
SCIP notification number (Hungary)	edffc353-2aa2-4da6-98b1-b080da267f9e
SCIP notification number (Italy)	109688a1-c73e-46f6-aeed-f59a90198b0c
SCIP notification number (Netherlands)	783469d9-425a-42b7-8ce6-2fbe5f1c9dd5
SCIP notification number (Poland)	94d3e0b7-a9d7-4c14-bf25-49f60cc7c600
SCIP notification number (Romania)	23b512ed-7085-4085-8f9b-42710238e5d5
SCIP notification number (Sweden)	35bf4daf-3cb3-4da9-8183-ecf33f4468d9

Approvals / Certificates

General approvals



Approval	Standard	Certificate Name
EAC GZO Almaty Standart	TP TC 020/2011	EAC CoC 03083
KC National Radio Research Agency	Article 58-2, Clause 3	MSIP-REM-W43-PFC750
UL Underwriters Laboratories Inc. (ORDINARY LOCATIONS)	-	E175199

Declarations of conformity and manufacturer's declarations

Approval	Standard	Certificate Name
EU-Declaration of Conformity WAGO GmbH & Co. KG	-	-

Approvals for marine applications



Approval	Standard	Certificate Name
ABS American Bureau of Shipping	-	22-2227356-PDA
BSH Bundesamt fuer Seeschifffahrt und Hydrographie	-	1104
DNV DNV Germany GmbH	IEC 60870-5-104 ed.2	10322241-INC 22-2700
DNV DNV Germany GmbH	DNV-CG-0339, Aug.2021	TAA00001J4
PRS Polski Rejestr Statków	-	TE/1102/880590/23

Approvals for hazardous areas



Approval	Standard	Certificate Name
ATEX TUEV Nord Cert GmbH	EN 60079-0	TUEV14ATEX148929X (II 3 G Ex ec IIC T4 Gc)
CCCEX CQST/CNEX	CNCA-C23-01	2020312310000213 (Ex ec IIC T4 Gc)
IECEX TUEV Nord Cert GmbH	IEC 60079-0	IECEX TUN 14.0035 X (Ex ec IIC T4 Gc)
INMETRO TUV Rheinland do Brasil Ltda.	IEC 60079-0	TUV 12.1297 X
UKEX WAGO GmbH & Co. KG	EN 60079-0	UKCA_WA GO22UKEX003X_ec
UL Underwriters Laboratories Inc. (HAZARDOUS LOCATIONS)	UL 121201	E198726

Downloads

Environmental Product Compliance

Compliance Search

Environmental Product Compliance 750-8212/025-001	↓
--	---

Documentation

Manual			
Function Manual for PFC100 2nd Generation, PFC200 2nd Generation and PFC300	3621366155   5   en-US   2026-02-03 07:08 06.02.2026	pdf 2460.24 KB	↓
Cyber Security for Controller PFC100 / PFC200	V 1.2.1 12.02.2025	pdf 3344.50 KB	↓
Product Manual PFC200 G2 2ETH RS	2100861323   2   en-US   8/6/2024 10:00 07.08.2024	pdf 3099.43 KB	↓

Manual			
Product Manual Configure IEC 61850	V 1.7.0 04.11.2025	pdf 5958.61 KB	↓
Product Manual Configure IEC 60870	V 1.6.0 04.11.2025	pdf 8011.44 KB	↓
System Manual Series 750/753			↓
Product Manual OPC UA Mapping Editor	V 1.1.0 11.03.2022	pdf 3314.23 KB	↓



Manual			
OPC-UA Mapping Editor			<a href="#">↓</a>
Product Manual WAGO MODBUS Master Configurator	V 1.1.0	pdf 1761.59 KB	<a href="#">↓</a>
Product Manual Configuration DNP3	V 1.6.0 04.11.2025	pdf 6498.67 KB	<a href="#">↓</a>
Migration Guide	2023631499   9   en-US   2026-01-15 14:41 20.01.2026	pdf 2705.60 KB	<a href="#">↓</a>
Migrationsleitfaden von e!COCKPIT-Projekten zu CODESYS V3.5			<a href="#">↓</a>

System Description			
Overview on WAGO-I/O-SYSTEM 750 approvals		pdf 770.48 KB	<a href="#">↓</a>
Controller PFC100/200, General Product Information		pdf 578.66 KB	<a href="#">↓</a>

Tutorial			
WAGO IEC 61850 solution (Transformer)	1.0 01.06.2012	wmv 19483.43 KB	<a href="#">↓</a>
Establish connection to a controller using SSH	1.0 05.08.2017	mp4 28368.02 KB	<a href="#">↓</a>
Set IP address with Ethernet Settings	3.0 18.12.2017	mp4 86272.82 KB	<a href="#">↓</a>
Tutorial WAGO IEC 61850 / 61400 solution	1.0 01.06.2012	wmv 44339.58 KB	<a href="#">↓</a>
WAGO IEC 61400-25 solution (Windmill)	1.0 01.06.2012	wmv 19878.48 KB	<a href="#">↓</a>

Additional Information			
WAGO OPC UA Server	V 1.1.0 28.01.2021	pdf 1132.87 KB	<a href="#">↓</a>

Bid Text			
750-8212/025-001	19.02.2019	xml 9.76 KB	<a href="#">↓</a>
750-8212/025-001	21.11.2018	docx 22.08 KB	<a href="#">↓</a>

Instruction Leaflet			
CCC Ex (Additional information)	26.04.2023	pdf 159.76 KB	<a href="#">↓</a>

Application Notes							
<b>Application Note CoDeSys 2.3</b>				<b>Application Note CoDeSys 2.3</b>			
Application note for installing a MySQL-Server on a PFC-Controller	1.0.4 16.05.2019	zip 4392.22 KB	<a href="#">↓</a>	Application Note: Mp-Bus_03 Library	2020-08-14 14.08.2020	zip 513.66 KB	<a href="#">↓</a>
Application note Cloud Connectivity	2019-09-17 17.09.2019	zip 3973.74 KB	<a href="#">↓</a>	Connection of a Thermokon Thanos SR L MODBUS room control unit to the WAGO-I/O-SYSTEM	02.05.2013 13.05.2013	zip 305.89 KB	<a href="#">↓</a>
HART Tool Routing via ETHERNET with 750-820x/750-88x and CODESYS 2.3 (a116120)	1.0.0 22.03.2019	pdf 3798.36 KB	<a href="#">↓</a>	Anbindung der HKW-Elektronik Wetterprognose-Station WS-K xx T ModBus	1.1 07.07.2017	zip 762.78 KB	<a href="#">↓</a>
Using the web visualization with Java™ runtime environment (JRE, JVM) 7 update 51 (7u51) (a500690)	1.2.4 26.02.2019	zip 4896.43 KB	<a href="#">↓</a>	Application Note Scheduler_03.lib	20.05.2011 20.05.2011	zip 1717.92 KB	<a href="#">↓</a>
Application Note PowerMeasurement_03 Library	19.01.2011 19.03.2012	zip 932.08 KB	<a href="#">↓</a>	GRUNDFOS GENibus interface, application note	20.03.2017 20.03.2017	zip 279.86 KB	<a href="#">↓</a>
Application Note: DMX_02	26.04.2017 26.04.2017	zip 733.43 KB	<a href="#">↓</a>	Connection of Thermokon Multi-function room control units WRF 08	10.04.2019 10.04.2019	zip 855.84 KB	<a href="#">↓</a>
HVAC System Macros	10.03.2017 15.03.2019	zip 13252.92 KB	<a href="#">↓</a>	Connection of DMX devices to the WAGO-I/O-SYSTEM via the ArtNet-DMX STAGE-PROFI 1.1	11.01.2013 11.01.2013	zip 1450.63 KB	<a href="#">↓</a>

Application Note CoDeSys 2.3			
Connection of Thermo- kon Multi-function room control units WRF 06	10.04.2019 08.04.2016	zip 826.10 KB	<a href="#">↓</a>
Application Note for the 750-494 3-Phase Power Measurement Module	24.01.2014 11.11.2014	zip 1629.99 KB	<a href="#">↓</a>
Application Note: EnO- cean_06 Library	30.11.2016 30.11.2016	zip 822.25 KB	<a href="#">↓</a>
Application Note for the 750-495 3-Phase Power Measurement Module	24.01.2014 24.01.2014	zip 1806.18 KB	<a href="#">↓</a>
Application Note Libra- ry WagoDatalogger_02	2020-05-20 20.05.2020	zip 1256.74 KB	<a href="#">↓</a>
Application Note Wea- ther Station Elsner P03 Modbus	01.12.2011 28.10.2011	zip 269.09 KB	<a href="#">↓</a>
Application note: DALI 753-647 Configuration Interface	1.0.2 29.04.2019	zip 3032.71 KB	<a href="#">↓</a>
HLK-Anlagenmakros für TRIC	2015-07-10 10.07.2015	zip 74963.43 KB	<a href="#">↓</a>
Application Note Libra- ry ModuleAccess_01	05.01.2016 29.01.2016	zip 1001.22 KB	<a href="#">↓</a>
Anwendungshinweis für die Steuerung eines Icus robolink	12.11.2015 12.11.2015	zip 1281.38 KB	<a href="#">↓</a>

Application Note e!COCKPIT			
e!COCKPIT Application Note Application Wea- ther Station	2021-11-08 06.12.2021	pdf 920.20 KB	<a href="#">↓</a>
eCOCKPIT Application Note WagoAppMP_Bus	1.0.2 06.12.2021	pdf 625.92 KB	<a href="#">↓</a>
eCOCKPIT Application Note WagoAppEnO- cean	1.0.3 31.01.2023	pdf 804.01 KB	<a href="#">↓</a>
eCOCKPIT application note WagoSolElsner	1.0.2 06.12.2021	pdf 512.20 KB	<a href="#">↓</a>
eCOCKPIT Application Note WagoAppM_Bus	1.0.5 18.01.2022	pdf 1395.44 KB	<a href="#">↓</a>
e!COCKPIT application note WagoAppDALI	2021-11-08 08.11.2021	pdf 2216.90 KB	<a href="#">↓</a>
eCOCKPIT application note WagoAppBuilding	1.0.2 06.12.2021	pdf 1152.22 KB	<a href="#">↓</a>
eCOCKPIT Application Note WagoAppSMI	2023-01-10 17.01.2023	zip 3598.46 KB	<a href="#">↓</a>
eCOCKPIT Application Note WagoAppDatalog- ger	1.0.3 06.12.2021	pdf 1353.81 KB	<a href="#">↓</a>
eCOCKPIT application note installation MyS- QL-Server	1.0.3 09.09.2019	pdf 1868.46 KB	<a href="#">↓</a>
e!COCKPIT application note WagoSolHKW	1.0.2 06.12.2021	pdf 611.79 KB	<a href="#">↓</a>
eCOCKPIT Application Note WagoAppKNX	1.0.3 06.12.2021	pdf 1109.70 KB	<a href="#">↓</a>
eCOCKPIT Application Note WagoAppSchedu- ler	2021-11-08 06.12.2021	pdf 964.05 KB	<a href="#">↓</a>
eCOCKPIT Application Note WagoAppDMX	1.0.3 06.12.2021	pdf 749.91 KB	<a href="#">↓</a>
e!COCKPIT Application Note HVAC macros	2021-12-06 06.12.2021	zip 10154.49 KB	<a href="#">↓</a>
e!COCKPIT Application Note WagoAppControl- Suite	1.0.2 06.12.2021	pdf 831.57 KB	<a href="#">↓</a>
CODESYS 3 Application Note WagoAppCloud	2022-11-04 04.11.2022	zip 2678.52 KB	<a href="#">↓</a>
HART Tool Routing via ETHERNET with 750-820x and e!RUNTI- ME (a116130)	1.0.0 22.03.2019	pdf 2867.01 KB	<a href="#">↓</a>
e!COCKPIT Application Note Robotix	1.0.1 17.01.2022	pdf 2186.52 KB	<a href="#">↓</a>
SNMP Communication (a500850)	1.1.0 20.02.2020	zip 3743.05 KB	<a href="#">↓</a>
e!COCKPIT Application Note WagoSolEAP (a2019006)	2021-11-08 06.12.2021	pdf 659.32 KB	<a href="#">↓</a>
e!COCKPIT Application Note WagoAppOLink (a2019002)	2021-11-08 06.12.2021	pdf 569.23 KB	<a href="#">↓</a>
e!COCKPIT Application Note WagoAppFuse (a2019001)	2021-11-08 06.12.2021	pdf 548.17 KB	<a href="#">↓</a>
e!COCKPIT application note WagoAppJSON (a2019003)	2021-11-08 06.12.2021	pdf 516.17 KB	<a href="#">↓</a>
e!COCKPIT Application Note WagoAppPower- Measurement	2021-11-08 06.12.2021	pdf 930.71 KB	<a href="#">↓</a>

Application Note e!COCKPIT				Application note, other			
e!COCKPIT Application Note WagoSysDynamicalMapping (a2019013)	1.0.2 06.12.2021	pdf 1631.42 KB	<a href="#">↓</a>	Application Note WAGOupload Packages (a2020007)	1.0.3 19.07.2024	zip 94031.91 KB	<a href="#">↓</a>
e!COCKPIT Application Note WagoAppPower-Supply (a2019012)	1.1.1 06.12.2021	pdf 707.04 KB	<a href="#">↓</a>			pdf 2174.17 KB	<a href="#">↓</a>
e!COCKPIT Application Note WagoAppPower-PlantControl (a2019015)	2021-12-06 06.12.2021	zip 2174.02 KB	<a href="#">↓</a>				
e!COCKPIT Application Note WagoAppSolenoid	1.0.1 06.12.2021	pdf 555.15 KB	<a href="#">↓</a>				
e!COCKPIT Application Note WagoAppStepper	1.0.1 06.12.2021	pdf 3306.34 KB	<a href="#">↓</a>				
e!COCKPIT Anwendungshinweis WagoAppRTU_Slaves	1.0.1 06.12.2021	pdf 759.01 KB	<a href="#">↓</a>				
e!COCKPIT AppNote GENIbus (a2021003)	1.0.1 06.12.2021	pdf 755.13 KB	<a href="#">↓</a>				
CODESYS 3 Anwendungshinweis WAGO Solution Builder (a2021012)	2021-12-06 06.12.2021	zip 2678.00 KB	<a href="#">↓</a>				
CODESYS 3 Anwendungshinweis Thies Wettersensoren (a2021014)	2021-12-06 06.12.2021	zip 924.51 KB	<a href="#">↓</a>				
CODESYS 3 Anwendungshinweis HLK BACnet Makros (a2021010)	1.3.0 27.02.2023	zip 67588.63 KB	<a href="#">↓</a>				
e!COCKPIT Application Note OPC UA Client (a2022001)	1.0.0 05.04.2022	zip 1336.65 KB	<a href="#">↓</a>				

CAD/CAE-Data			
CAD data		CAE data	
2D/3D Models 750-8212/025-001	<a href="#">↓</a>	EPLAN Data Portal 750-8212/025-001	<a href="#">↓</a>
		ZUKEN Portal 750-8212/025-001	<a href="#">↓</a>

Engineering-Software			
Configuration and Commissioning Software			
CODESYS V3.5		png 315.13 KB	<a href="#">↓</a>
WAGO-IO-PRO Demo-Version (759-912) / Serie 750, 758 und 762	V 2.3.9.68 17.02.2022	zip 122524.17 KB	<a href="#">↓</a>
(759-316) WAGO Ethernet Settings / Serie 750	06.18.01.01 02.09.2021	zip 26678.54 KB	<a href="#">↓</a>
WAGOupload	1.16.1.0 02.02.2022	zip 12111.45 KB	<a href="#">↓</a>

## Runtime Software

Firmware			
Image Update (SD Karte) PFC100/200 für Codesys V2.3 u. Elcockpit	V 22 SP1 12.12.2022	zip 205815.20 KB	
PFC200, Firmware Update für CoDeSys V3.5	V 23 24.02.2023	zip 167985.38 KB	
WUP Update (WAGOuploadTool) PFC100/200 Codesys V2.3 u. Elcockpit	V 22 SP1 12.12.2022	zip 203580.70 KB	

## Libraries

Library			
WagoConfigToolLIB	1.0.0 08.10.2013	pdf 340.92 KB	
WagoLibLed	1.0.0	pdf 504.39 KB	
Library WagoLib-Cloud_02.lib	2.2.4 21.01.2020	zip 56.21 KB	
WAGO_Datalogger_02.lib	2.7 20.05.2020	zip 662.90 KB	

## 1 Compatible Products

### 1.1 Product Expansions

#### 1.1.1 Runtime software



[Item No.: 2759-2283/211-1000](#)  
Runtime; BACnet; 300; M; Single License; Online activation



[Item No.: 2759-2273/211-1000](#)  
Runtime; BACnet; 300; S; Single License; Online activation



[Item No.: 2759-283/211-1000](#)  
Runtime; BACnet; 300; Single License; Online activation



[Item No.: 2759-248/211-1000](#)  
Runtime; Multi Cloud Connectivity; Single License; Online activation



[Item No.: 2759-247/211-1000](#)  
Runtime; Sparkplug; Single License; Online activation

### 1.2 Optional Accessories

#### 1.2.1 Cables and connectors

##### 1.2.1.1 Connector plug



[Item No.: 750-979/000-011](#)  
Connector ETHERNET; RJ-45; Cat. 6A; angled; Code T568A; AWG 22; Strain relief



[Item No.: 750-979/000-021](#)  
Connector ETHERNET; RJ-45; Cat. 6A; angled; Code T568A; AWG 24; Strain relief



[Item No.: 750-979/000-012](#)  
Connector ETHERNET; RJ-45; Cat. 6A; angled; Code T568B; AWG 22; Strain relief



[Item No.: 750-979/000-022](#)  
Connector ETHERNET; RJ-45; Cat. 6A; angled; Code T568B; AWG 24; Strain relief



[Item No.: 750-977/000-011](#)  
Connector ETHERNET; RJ-45; Cat. 6A; straight; Code T568A; AWG 22



[Item No.: 750-978/000-011](#)  
Connector ETHERNET; RJ-45; Cat. 6A; straight; Code T568A; AWG 22; Strain relief



[Item No.: 750-977/000-021](#)  
Connector ETHERNET; RJ-45; Cat. 6A; straight; Code T568A; AWG 24



[Item No.: 750-978/000-021](#)  
Connector ETHERNET; RJ-45; Cat. 6A; straight; Code T568A; AWG 24; Strain relief

1.2.1.1 Connector plug



**Item No.: 750-977/000-012**  
 Connector ETHERNET; RJ-45; Cat. 6A; straight; Code T568B; AWG 22

**Item No.: 750-978/000-012**  
 Connector ETHERNET; RJ-45; Cat. 6A; straight; Code T568B; AWG 22; Strain relief

**Item No.: 750-977/000-022**  
 Connector ETHERNET; RJ-45; Cat. 6A; straight; Code T568B; AWG 24

**Item No.: 750-978/000-022**  
 Connector ETHERNET; RJ-45; Cat. 6A; straight; Code T568B; AWG 24; Strain relief



**Item No.: 750-975**  
 ETHERNET RJ-45 connector, IP20; ETHERNET 10/100 Mbit/s; for field assembly

1.2.2 Communication

1.2.2.1 Communication cable



**Item No.: 750-923/000-001**  
 Configuration cable; USB connector; Length: 5 m

1.2.3 DIN-rail

1.2.3.1 Mounting accessories



**Item No.: 210-196**  
 Aluminum carrier rail; 35 x 8.2 mm; 1.6 mm thick; 2 m long; unslotted; similar to EN 60715; silver-colored



**Item No.: 210-198**  
 Copper carrier rail; 35 x 15 mm; 2.3 mm thick; 2 m long; unslotted; according to EN 60715; copper-colored



**Item No.: 210-197**  
 Steel carrier rail; 35 x 15 mm; 1.5 mm thick; 2 m long; slotted; similar to EN 60715; silver-colored



**Item No.: 210-114**  
 Steel carrier rail; 35 x 15 mm; 1.5 mm thick; 2 m long; unslotted; similar to EN 60715; silver-colored



**Item No.: 210-118**  
 Steel carrier rail; 35 x 15 mm; 2.3 mm thick; 2 m long; unslotted; according to EN 60715; silver-colored



**Item No.: 210-115**  
 Steel carrier rail; 35 x 7.5 mm; 1 mm thick; 2 m long; slotted; according to EN 60715; "Hole width 18 mm; silver-colored



**Item No.: 210-112**  
 Steel carrier rail; 35 x 7.5 mm; 1 mm thick; 2 m long; slotted; according to EN 60715; "Hole width 25 mm; silver-colored



**Item No.: 210-113**  
 Steel carrier rail; 35 x 7.5 mm; 1 mm thick; 2 m long; unslotted; according to EN 60715; silver-colored

1.2.4 Marking

1.2.4.1 Group marker carrier



**Item No.: 750-107**  
 Group marker carrier

1.2.4.2 Marker



**Item No.: 2009-145/000-006**  
 Mini-WSB Inline; for Smart Printer; 1700 pieces on roll; stretchable 5 - 5.2 mm; plain; snap-on type; blue

**Item No.: 2009-145/000-007**  
 Mini-WSB Inline; for Smart Printer; 1700 pieces on roll; stretchable 5 - 5.2 mm; plain; snap-on type; gray

**Item No.: 2009-145/000-023**  
 Mini-WSB Inline; for Smart Printer; 1700 pieces on roll; stretchable 5 - 5.2 mm; plain; snap-on type; green

**Item No.: 2009-145/000-012**  
 Mini-WSB Inline; for Smart Printer; 1700 pieces on roll; stretchable 5 - 5.2 mm; plain; snap-on type; orange



**Item No.: 2009-145/000-005**  
 Mini-WSB Inline; for Smart Printer; 1700 pieces on roll; stretchable 5 - 5.2 mm; plain; snap-on type; red

**Item No.: 2009-145/000-024**  
 Mini-WSB Inline; for Smart Printer; 1700 pieces on roll; stretchable 5 - 5.2 mm; plain; snap-on type; violet

**Item No.: 2009-145**  
 Mini-WSB Inline; for Smart Printer; 1700 pieces on roll; stretchable 5 - 5.2 mm; plain; snap-on type; white

**Item No.: 2009-145/000-002**  
 Mini-WSB Inline; for Smart Printer; 1700 pieces on roll; stretchable 5 - 5.2 mm; plain; snap-on type; yellow

### 1.2.4.2 Marker



**Item No.: 248-501/000-006**

Mini-WSB marking card; as card; not stretchable; plain; snap-on type; blue



**Item No.: 248-501/000-007**

Mini-WSB marking card; as card; not stretchable; plain; snap-on type; gray



**Item No.: 248-501/000-023**

Mini-WSB marking card; as card; not stretchable; plain; snap-on type; green



**Item No.: 248-501/000-017**

Mini-WSB marking card; as card; not stretchable; plain; snap-on type; light green



**Item No.: 248-501/000-012**

Mini-WSB marking card; as card; not stretchable; plain; snap-on type; orange



**Item No.: 248-501/000-005**

Mini-WSB marking card; as card; not stretchable; plain; snap-on type; red



**Item No.: 248-501/000-024**

Mini-WSB marking card; as card; not stretchable; plain; snap-on type; violet



**Item No.: 248-501**

Mini-WSB marking card; as card; not stretchable; plain; snap-on type; white



**Item No.: 248-501/000-002**

Mini-WSB marking card; as card; not stretchable; plain; snap-on type; yellow

### 1.2.4.3 Marker carrier



**Item No.: 750-103**

Group marker carrier

### 1.2.5 Memory card

#### 1.2.5.1 Memory card



**Item No.: 758-879/000-2108**

Memory Card SD; pSLC-NAND; 8 GB; Temperature range: -40 to 90°C



**Item No.: 758-879/000-001**

Memory Card SD; SLC-NAND; 2 GByte; Temperature from -40 to 90 °C

### 1.2.6 Shield termination

#### 1.2.6.1 Shield clamping saddles



**Item No.: 790-108**

Shield clamping saddle; 11 mm wide; diameter of compatible conductor; 3 ... 8 mm



**Item No.: 790-208**

Shield clamping saddle; 12.4 mm wide; 3 ... 8 mm



**Item No.: 790-116**

Shield clamping saddle; 19 mm wide; diameter of compatible conductor; 7 ... 16 mm



**Item No.: 790-216**

Shield clamping saddle; 21.8 mm wide; 6 ... 16 mm



**Item No.: 790-124**

Shield clamping saddle; 27 mm wide; diameter of compatible conductor; 6 ... 24 mm



**Item No.: 790-220**

Shield clamping saddle; 30 mm wide; 6 ... 20 mm



**Item No.: 790-140**

Shield clamping saddle; diameter of compatible conductor

## 1.2.7 Software

### 1.2.7.1 Software Application



**Item No.: 2759-206/261-1000**  
Application Energy Data Management; Single License; Online activation



**Item No.: 2759-2110/261-1000**  
Application flexROOM; Single License; Online activation



**Item No.: 2759-2015/261-1000**  
Application Grid Gateway; Single License; Online activation



**Item No.: 2759-204/261-1000**  
Application Lighting Management; Single License; Online activation



**Item No.: 2759-241/261-1000**  
Application Weather Station; Single License; Online activation



**Item No.: 2759-245/211-1000**  
Library Controller Redundancy Master; Single License; Online activation



**Item No.: 2759-203/211-1000**  
Library Power Plant Control; VDE-AR-N 4110 / 4120; unlimited; Single License; Online activation



**Item No.: 2759-207/271-1000**  
Visualization Energy Data Management; Single License; Online activation



**Item No.: 2759-2103/271-1000**  
Visualization Lighting Management; L; Single License; Online activation



**Item No.: 2759-2102/271-1000**  
Visualization Lighting Management; M; Single License; Online activation



**Item No.: 2759-2101/271-1000**  
Visualization Lighting Management; S; Single License; Online activation

## 1.2.8 System enclosure

### 1.2.8.1 System enclosure



**Item No.: 850-825**  
IP65 enclosure; Aluminium (RAL 7032); WxHxD (160x100x160 mm); 9 x M12, 4 x M20



**Item No.: 850-826**  
IP65 enclosure; Aluminium (RAL 7032); WxHxD (240x100x160 mm); 4 x M20, 4 x M16, 14 x M12 cable grip



**Item No.: 850-827**  
IP65 enclosure; Aluminium (RAL 7032); WxHxD (320x100x160 mm); 4 x M20, 8 x M16, 17 x M12 cable grip



**Item No.: 850-828**  
IP65 enclosure; Aluminium (RAL 7032); WxHxD (480x100x160 mm); 4 x M20, 10 x M16, 35 x M12 cable grip



**Item No.: 850-826/002-000**  
IP65 enclosure; Aluminium (RAL 7035); WxHxD (240x100x160 mm); 4 x M20, 4 x M16, 14 x M12 cable grip



**Item No.: 850-827/002-000**  
IP65 enclosure; Aluminium (RAL 7035); WxHxD (320x100x160 mm); 4 x M20, 8 x M16, 17 x M12 cable grip



**Item No.: 850-828/002-000**  
IP65 enclosure; Aluminium (RAL 7035); WxHxD (480x100x160 mm); 4 x M20, 10 x M16, 35 x M12 cable grip



**Item No.: 850-834**  
IP65 enclosure; Polyester (RAL 7032); WxHxD (164x100x164 mm); 9 x M12, 4 x M20



**Item No.: 850-835**  
IP65 enclosure; Polyester (RAL 7032); WxHxD (244x100x164 mm); 4 x M20, 4 x M16, 14 x M12 cable grip



**Item No.: 850-836**  
IP65 enclosure; Polyester (RAL 7032); WxHxD (324x100x164 mm); 4 x M20, 8 x M16, 17 x M12 cable grip



**Item No.: 850-814/002-000**  
IP65 enclosure; Sheet steel (RAL 7035); WxHxD (200x120x200 mm); without flange plate



**Item No.: 850-815/002-000**  
IP65 enclosure; Sheet steel (RAL 7035); WxHxD (300x120x200 mm); without flange plate



**Item No.: 850-816/002-000**  
IP65 enclosure; Sheet steel (RAL 7035); WxHxD (400x120x200 mm); without flange plate



**Item No.: 850-817/002-000**  
IP65 enclosure; Sheet steel (RAL 7035); WxHxD (600x120x200 mm); without flange plate