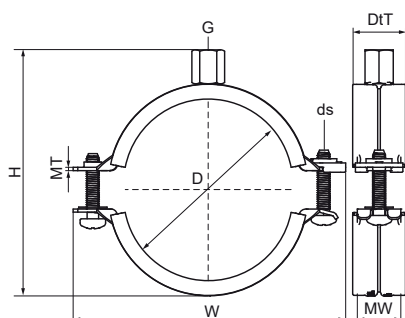


Walraven Bifix® G2 with Lining (M8/10) (BUP1000)

(A0552)

for steel, copper, cast iron and plastic (multilayer) pipe



Features & benefits

- two-screw clamp
- quick closing mechanism for easy locking of the clamp with one hand
- 2 component rubber lining provides easy positioning of the pipe during installation
- when the clamp is closed, the pipe rests on soft black rubber lining for increased noise reduction
- material: steel
- product is part of the Walraven BIS UltraProtect® 1000 system
- suitable for in- and outdoor applications
- stands min. 1,000 hours salt spray test (max. 5% red rust) according to ISO 9227
- temperature resistance from -30 °C to +120 °C
- sound insulating lining according DIN 4109
- noise reduction according to ISO 3822-1 up to 23 dB(A)



Product Number	NRF Number	Outside Pipe Diameter	DN	Pipe Diameter Imperial	Connection Thread	Total Height	Total Width	Total Depth	Material Width	Material Thickness	Screw Size	Maximum Allowed Load Faz	Approvals
Reference Letter		D	D	D	G	H	W	D _t T	MW	MT	ds	F _{a,z}	
Unit description		mm		"		mm	mm	mm	mm	mm		N	
31085014	3485568	10 - 14	DN 8	¼	M8/M10	42	59	24	20	1.25	M6	700	CE, ETA, RAL-GZ 655/B, ITB (KOT), ISO 3822-1, EPD
31085019	3485569	15 - 19	DN 10	¾	M8/M10	46	63	24	20	1.25	M6	700	CE, ETA, RAL-GZ 655/B, ITB (KOT), ISO 3822-1, EPD
31085023	3485571	20 - 23	DN 15	½	M8/M10	51	68	24	20	1.25	M6	700	CE, ETA, RAL-GZ 655/B, ITB (KOT), ISO 3822-1, EPD
31085028	3485572	25 - 28	DN 20	¾	M8/M10	57	74	24	20	1.25	M6	700	CE, ETA, RAL-GZ 655/B, ITB (KOT), ISO 3822-1, EPD
31085035	3485573	31 - 35	DN 25	1	M8/M10	67	80	24	20	1.25	M6	700	CE, ETA, RAL-GZ 655/B, ITB (KOT), ISO 3822-1, EPD
31085039	3485574	36 - 39	-	-	M8/M10	71	84	24	20	1.25	M6	700	CE, ETA, RAL-GZ 655/B, ITB (KOT), ISO 3822-1, EPD
31085045	3485575	40 - 45	DN 32	1¼	M8/M10	76	91	24	20	1.25	M6	700	CE, ETA, RAL-GZ 655/B, ITB (KOT), ISO 3822-1, EPD
31085052	3485576	48 - 52	DN 40	1½	M8/M10	84	97	24	20	1.25	M6	700	CE, ETA, RAL-GZ 655/B, ITB (KOT), ISO 3822-1, EPD
31085058	3485577	54 - 58	-	-	M8/M10	94	104	24	20	1.25	M6	700	CE, ETA, RAL-GZ 655/B, ITB (KOT), ISO 3822-1, EPD
31085064	3485578	60 - 64	DN 50	2	M8/M10	101	109	24	20	1.25	M6	700	CE, ETA, RAL-GZ 655/B, ITB (KOT), ISO 3822-1, EPD
31085070	3485579	66 - 70	-	-	M8/M10	107	118	24	20	1.50	M6	800	CE, ETA, RAL-GZ 655/B, ITB (KOT), ISO 3822-1, EPD
31085079	3485581	75 - 79	DN 65	2½	M8/M10	113	125	22	20	1.50	M6	800	CE, ETA, RAL-GZ 655/B, ITB (KOT), ISO 3822-1, EPD
31085083	3485582	80 - 83	-	-	M8/M10	120	131	22	20	1.50	M6	800	CE, ETA, RAL-GZ 655/B, ITB (KOT), ISO 3822-1, EPD
31085091	3485583	88 - 91	DN 80	3	M8/M10	130	142	27	23	2.00	M6	1,700	CE, ETA, RAL-GZ 655/B, ITB (KOT), ISO 3822-1, EPD
31085105	3485584	100 - 105	-	-	M8/M10	141	155	27	23	2.00	M6	1,700	CE, ETA, RAL-GZ 655/B, ITB (KOT), ISO 3822-1, EPD
31085115	3485585	108 - 115	DN 100	4	M8/M10	153	164	27	23	2.00	M6	1,700	CE, ETA, RAL-GZ 655/B, ITB (KOT), ISO 3822-1, EPD
31085130	3485586	125 - 130	-	-	M8/M10	170	181	27	23	2.00	M6	1,700	CE, ETA, RAL-GZ 655/B, ITB (KOT), ISO 3822-1, EPD
31085140	3485587	133 - 140	DN 125	5	M8/M10	180	191	27	23	2.00	M6	1,700	CE, ETA, RAL-GZ 655/B, ITB (KOT), ISO 3822-1, EPD
31085160	3485588	152 - 160	-	-	M8/M10	199	211	27	23	2.00	M6	1,700	CE, ETA, RAL-GZ 655/B, ITB (KOT), ISO 3822-1, EPD
31085169	3485589	165 - 169	DN 150	6	M8/M10	211	225	29	25	2.50	M8	2,000	CE, ETA, RAL-GZ 655/B, ITB (KOT), ISO 3822-1, EPD

Walraven Bifix® G2 with Lining (M8/10) (BUP1000)

(A0552)

for steel, copper, cast iron and plastic (multilayer) pipe

Product Number	NRF Number	Outside Pipe Diameter	DN	Pipe Diameter Imperial	Connection Thread	Total Height	Total Width	Total Depth	Material Width	Material Thickness	Screw Size	Maximum Allowed Load Faz	Approvals
<i>Reference Letter</i>		<i>D</i>	<i>D</i>	<i>D</i>	<i>G</i>	<i>H</i>	<i>W</i>	<i>DtT</i>	<i>MW</i>	<i>MT</i>	<i>ds</i>	<i>Fa,z</i>	
<i>Unit description</i>		<i>mm</i>		<i>"</i>		<i>mm</i>	<i>mm</i>	<i>mm</i>	<i>mm</i>	<i>mm</i>		<i>N</i>	
31085097	3485824	92 - 97	-	-	M8/M10	134	148	27	23	2.00	M6	1,700	CE, ETA, RAL-GZ 655/B, ITB (KOT), ISO 3822-1, EPD
31085180		176 - 180	-	-	M8/M10	223	238	29	25	2.50	M8	2,500	CE, ETA, ITB (KOT), ISO 3822-1, EPD
31085200		192 - 200	-	-	M8/M10	236	257	29	25	2.50	M8	2,500	CE, ETA, ITB (KOT), ISO 3822-1, EPD
31085210		205 - 210	-	-	M8/M10	250	269	29	25	2.50	M8	2,500	CE, ETA, ITB (KOT), ISO 3822-1, EPD
31085225		219 - 225	DN 200	8	M8/M10	263	283	29	25	2.50	M8	2,500	CE, ETA, ITB (KOT), ISO 3822-1, EPD